

INTERNATIONAL AEROBATIC CLUB SCORESHEET

A

Contest:	Date:	Category: Intermediate	Programme: Unknown	pilot's number	
----------	-------	----------------------------------	------------------------------	----------------	--

No	Symbol	Catalogue No.	K	Total K	Score	Remarks
1		5.1.1 9.1.1.1 9.1.5.1	17 6 2	25		
2		7.7.1	14	14		
3		7.4.3 9.1.3.2 9.4.3.2	6 4 5	15		
4		1.1.4 9.1.3.2	2 4	6		
5		8.3.1 9.1.5.1	15 2	17		
6		2.1.3	5	5		
7		8.42.1 9.4.4.2	10 5	15		
8		1.18.1 9.1.4.2	13 4	17		
9		7.2.1 9.1.3.2 9.1.3.4	6 4 8	18		
10		1.1.1 9.9.3.4	2 11	13		
11		2.2.3	3	3		

Presentation

8

FIGURE TOTAL K = **148**

INCLUDING PRESENTATION = **156**

Aircraft Type:

FREE PROGRAM CHECKED BY:

Signature:

Date:

IAC No.

Judge

Name

Number



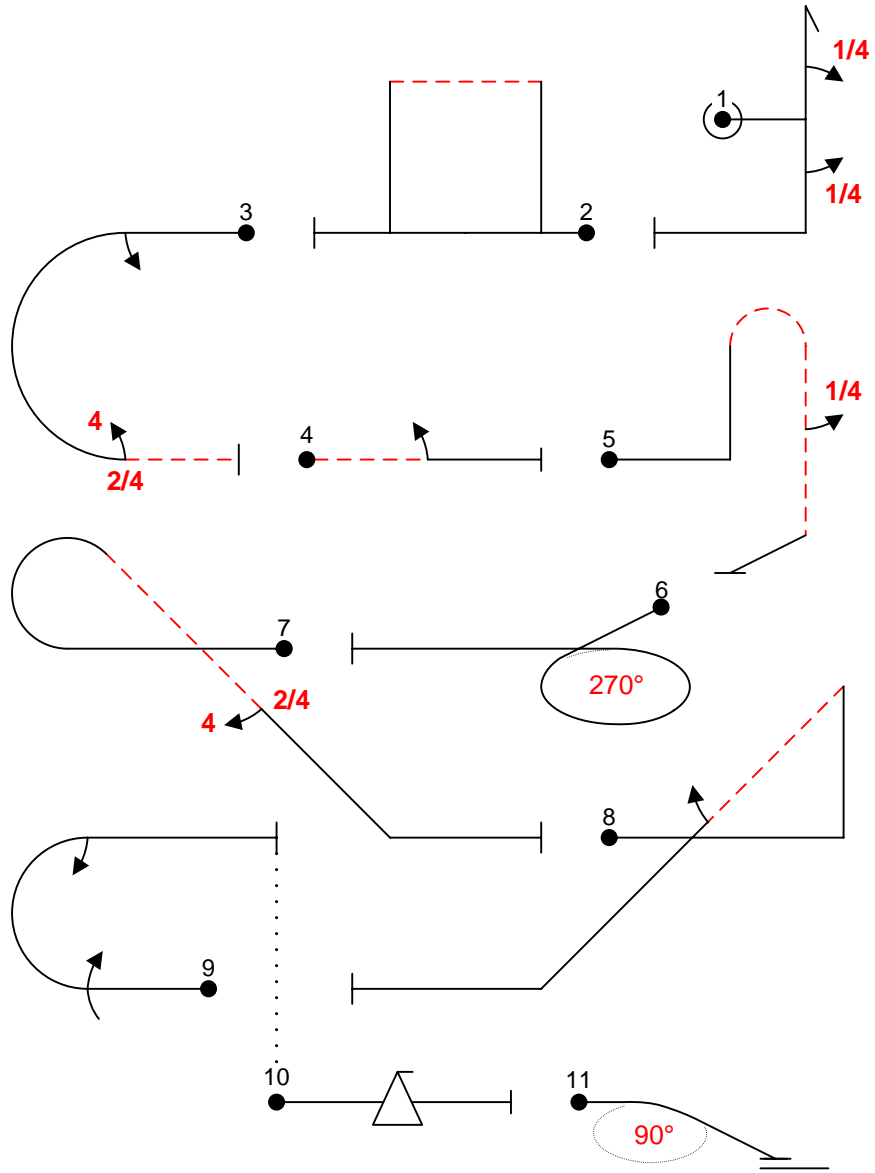
pilot



B	Contest:	Category: Intermediate
Date:	Program: Unknown	Pilot's No. <input type="text"/>

wind direction

Pilot:



A/C:

(signature/date)

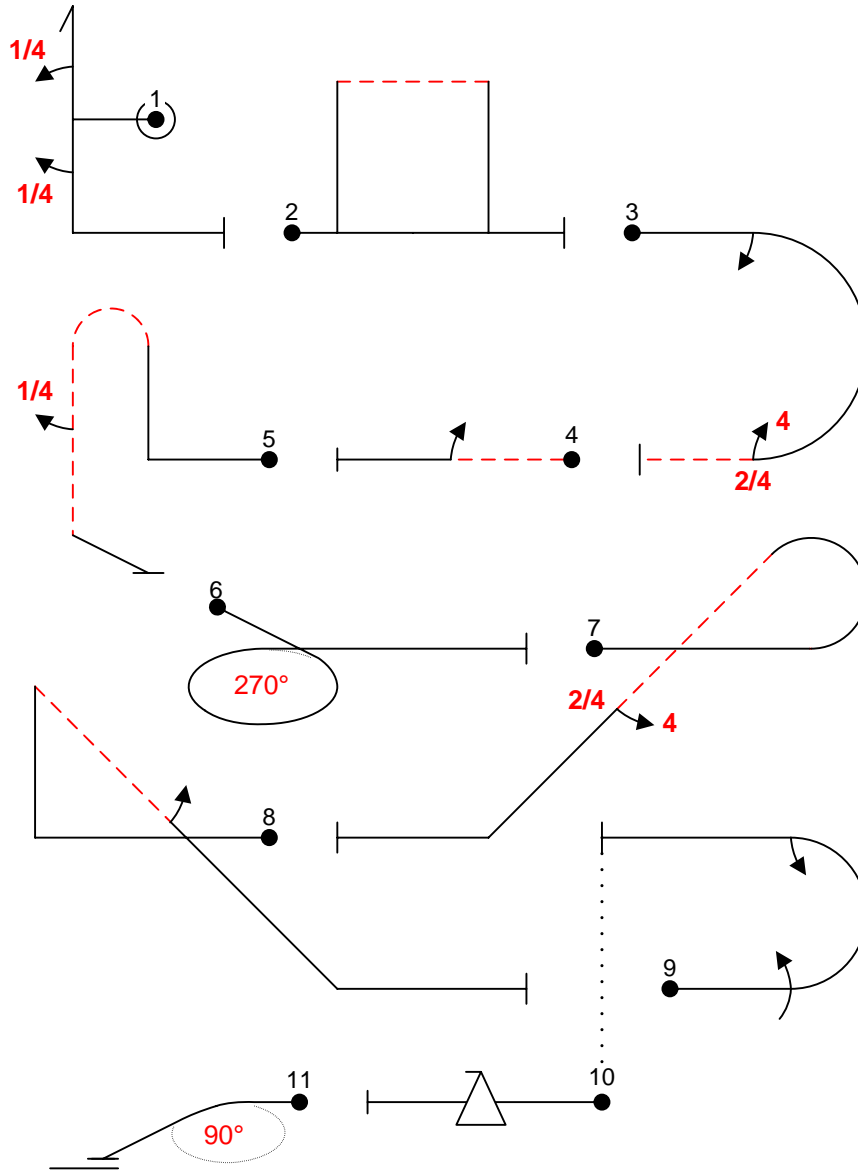
FREE PROGRAM CHECK BY:



C	Contest:	Category: Intermediate
Date:	Program: Unknown	Pilot's No. <input type="text"/>

wind direction

Pilot: _____



A/C: _____

(signature/date)

FREE PROGRAM CHECK BY: _____