

INTERNATIONAL AEROBATIC CLUB SCORESHEET

A	Contest:	Date:	Category:	Programme:	pilot's number	
			Intermediate	Unknown		

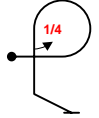
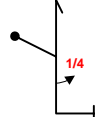
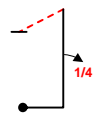
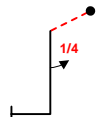
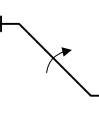

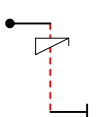
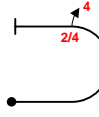
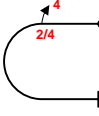

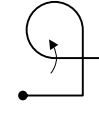
No	Symbol	Catalogue No.	K	Total K	Score	Remarks	Item	K	Score
1		8.43.1 9.1.5.1	11 2	13			Presentation	8	
2		5.1.1 9.1.5.1	17 2	19					
3		1.7.1 9.1.1.1	9 6	15					
4		1.7.4 9.1.5.1	9 2	11					
5		1.2.1 9.1.2.4	7 10	17					
6		2.2.1	4	4					
7		1.6.3 9.11.1.4	10 5	15					
8		7.2.1 9.4.3.2	6 5	11					
9		7.3.3 9.4.3.2	6 5	11					
10		1.1.1 9.4.3.4	2 11	13					
11		8.33.1 9.1.3.4	11 8	19					
12									

FIGURE TOTAL K = 148

INCLUDING PRESENTATION = 156

Aircraft Type:

FREE PROGRAM CHECKED BY:

Signature:	Date:
IAC No.	

Judge
Name
Number



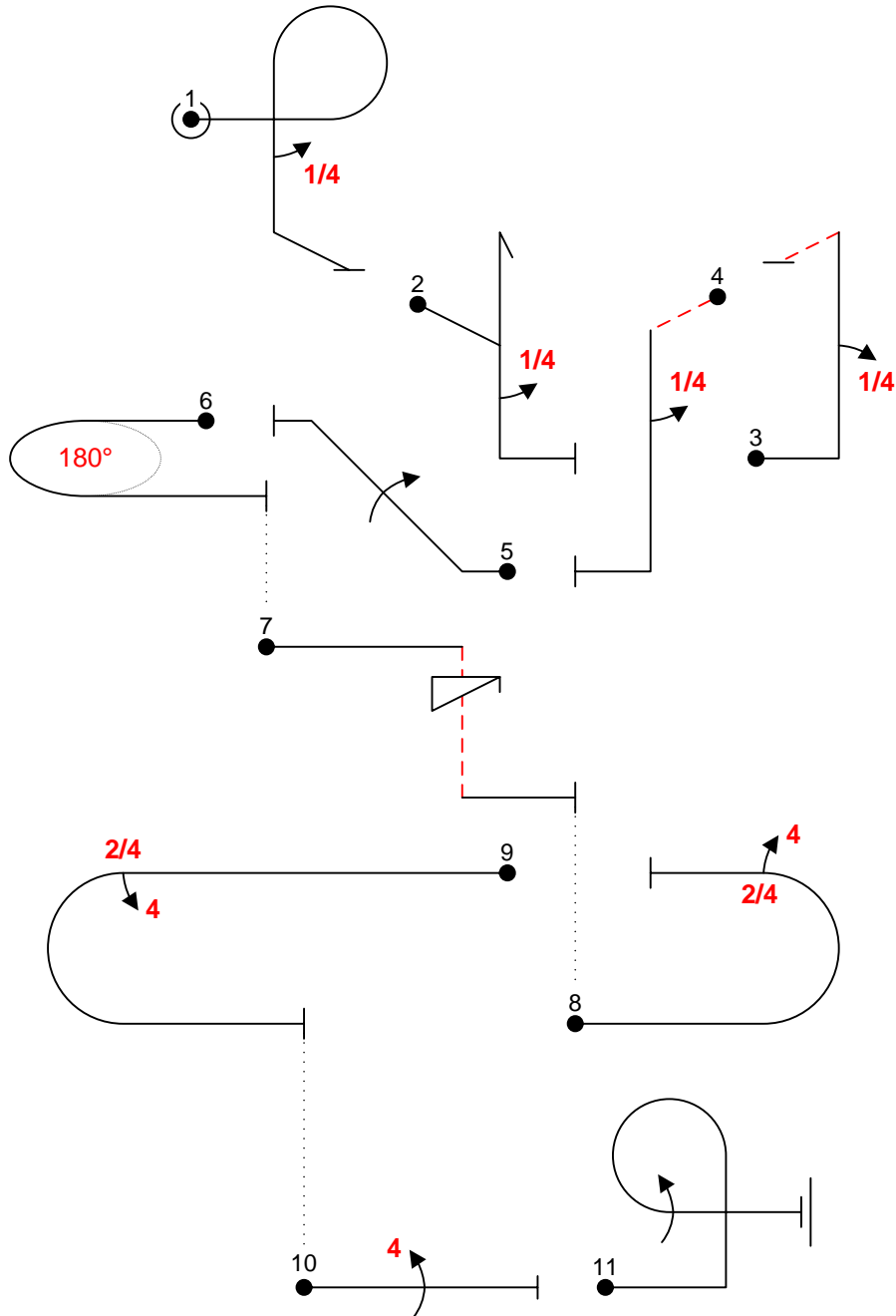
pilot



B	Contest:	Category: Intermediate
Date:	Program: Unknown	Pilot's No. <input type="text"/>

wind direction

Pilot:



A/C:

(signature/date)

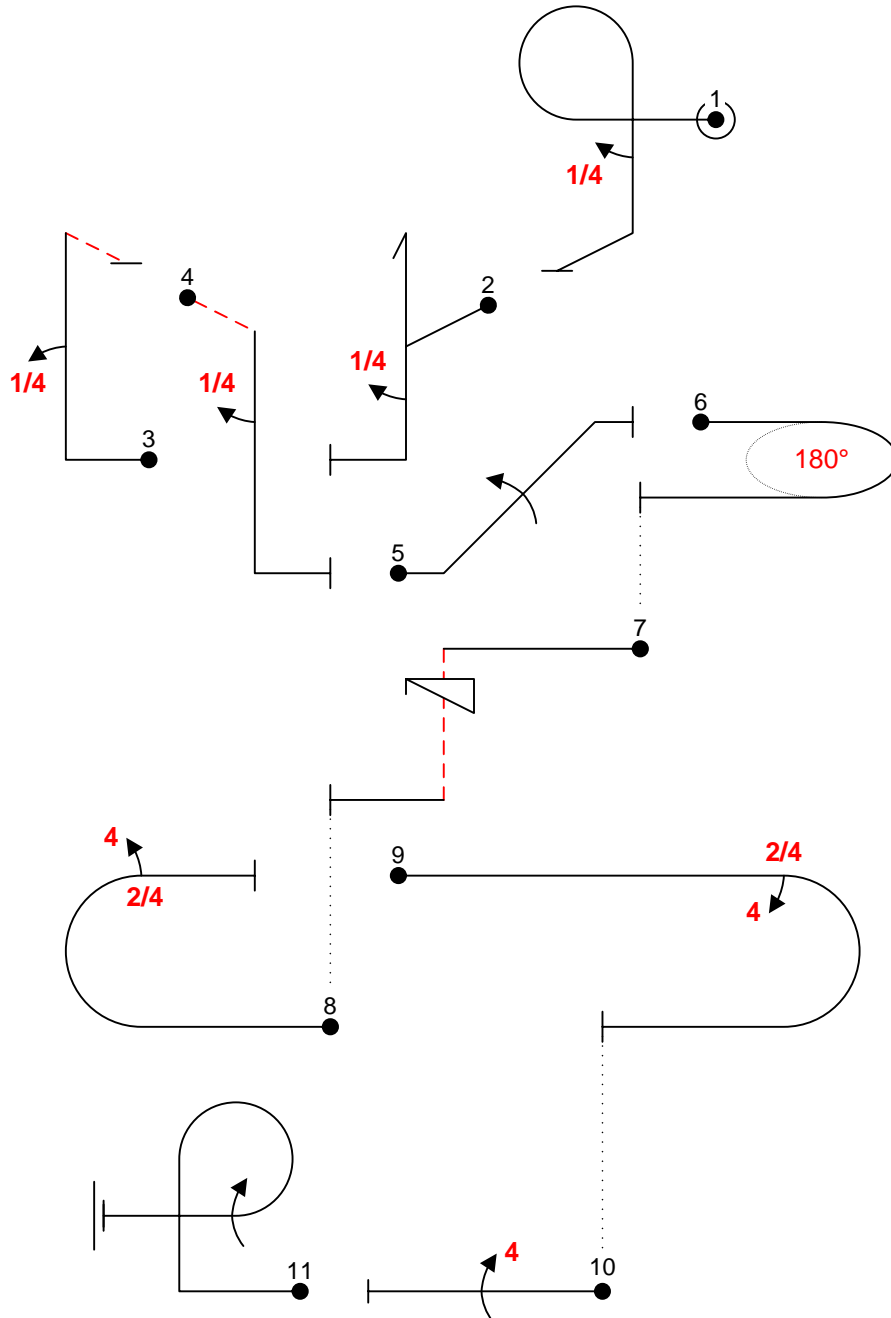
FREE PROGRAM CHECK BY:



C	Contest:	Category: Intermediate
Date:	Program: Unknown	Pilot's No. <input type="text"/>

wind direction

Pilot: _____



A/C: _____

(signature/date)

FREE PROGRAM CHECK BY: _____