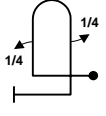
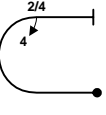
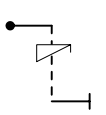
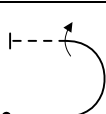
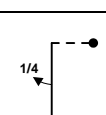

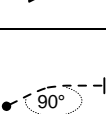
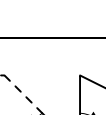
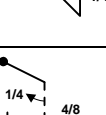
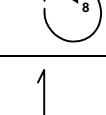


INTERNATIONAL AEROBATIC CLUB SCORESHEET

A	Contest:	Date:	Category: Intermediate	Programme: Unknown	pilot's number	

No	Symbol	Catalogue No.	K	Total K	Score	Remarks
1		8.1.1 9.1.1.1 9.1.5.1	13 6 2	21		
2		7.2.1 9.4.3.2	6 5	11		
3		1.6.3 9.11.1.4	10 5	15		
4		7.1.1 9.1.3.4	6 8	14		
5		1.7.4 9.1.5.1	9 2	11		
6		1.7.1	9	9		
7		2.2.4	4	4		
8		1.15.4 9.1.4.2 9.1.1.1	13 4 6	23		
9		8.40.3 9.1.5.1 9.8.3.2	13 2 7	22		
10		5.1.1	17	17		
11						
12						

Positioning	8	
--------------------	----------	--

FIGURE TOTAL K = 147

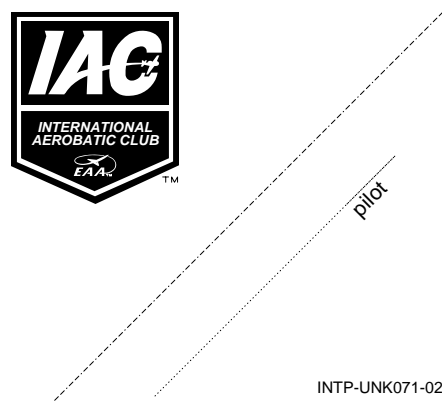
INCLUDING POSITIONING = 155

Aircraft Type:

FREE PROGRAM CHECKED BY:

Signature:	Date:
IAC No.	

Judge
Name
Number



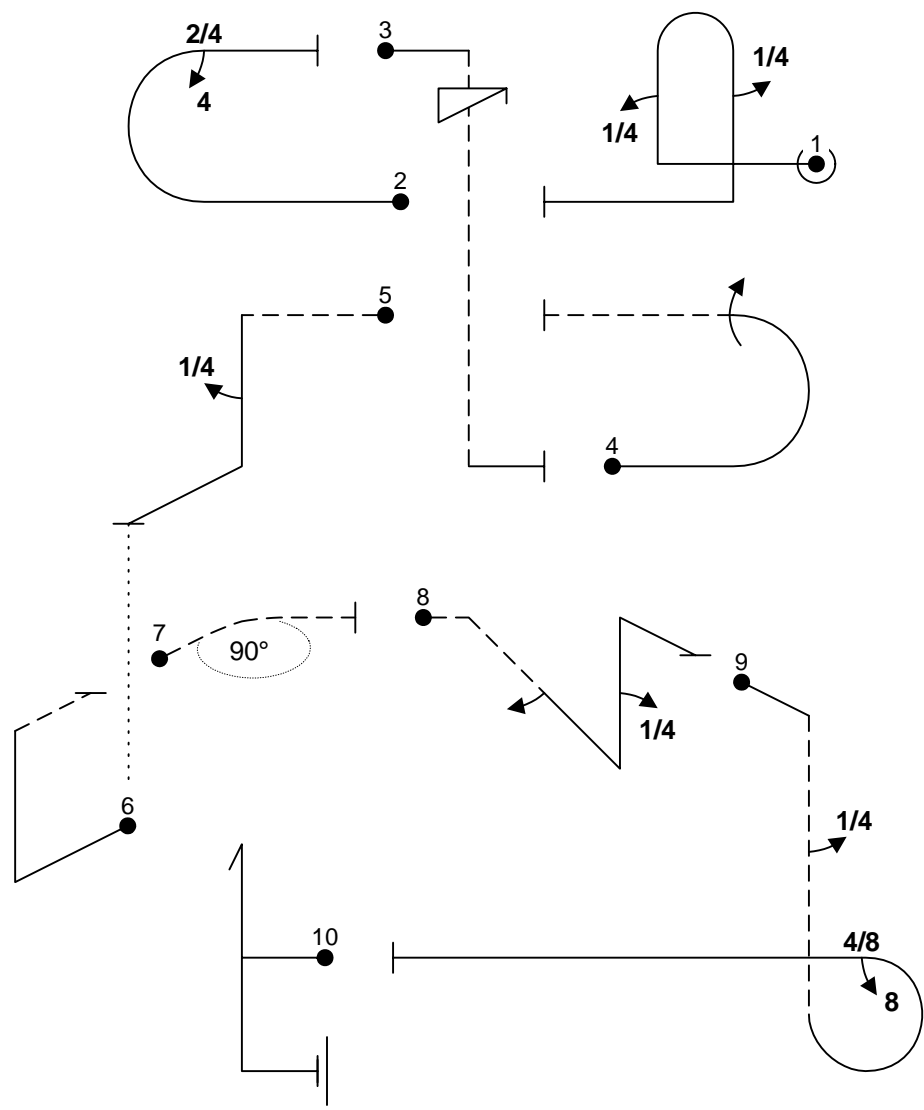


B	Contest:	Category: Intermediate
Date:	Program: Unknown	Pilot's No. <input type="text"/>

wind direction

Pilot:

NOTE DOWNWIND START



A/C:

(signature/date)

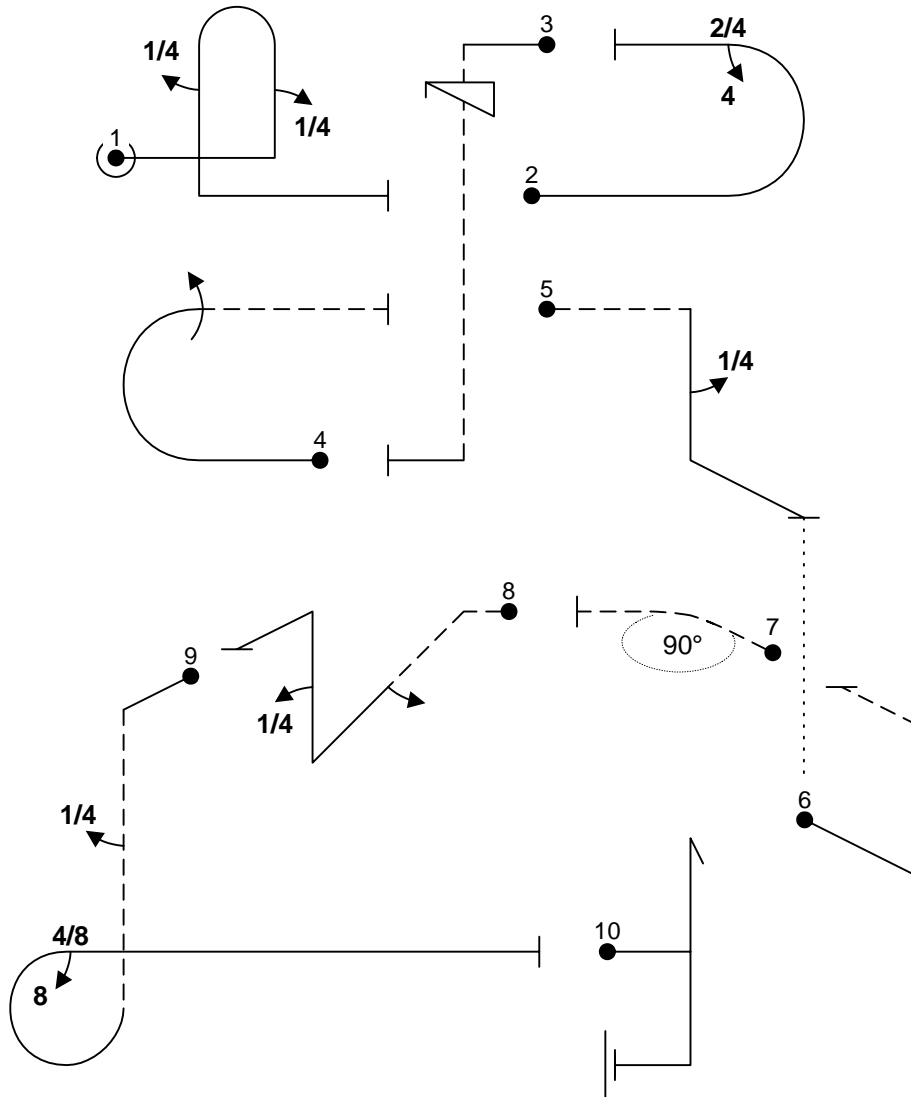
FREE PROGRAM CHECK BY:



C	Contest:	Category: Intermediate	
Date:	Program: Unknown	Pilot's No.	

wind direction

NOTE DOWNWIND START



Pilot:

A/C:

(signature/date)

FREE PROGRAM CHECK BY: