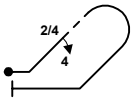
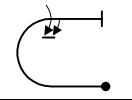
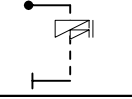
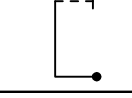
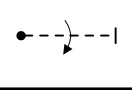
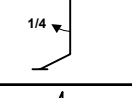
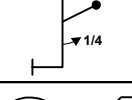

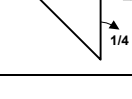


A	INTERNATIONAL AEROBATIC CLUB SCORESHEET				Contest:			Date:		Category		Programme		pilot's number	
										Intermediate		Unknown			
No	Symbol	Catalog No	K	Tot. K	Score	Remarks	No	Symbol	Catalog No	K	Tot. K	Score	Remarks		
1		8.15.1 9.4.2.2	12 7	19			13								
2		7.2.1 9.1.3.6	6 10	16			14								
3		1.6.3 9.11.1.6	10 3	13			15								
4		1.7.1	9	9			16								
5		1.1.2 9.1.3.4	3 8	11			17								
6		1.7.4 9.1.5.1	9 2	11			18								
7		5.1.1 9.1.5.1	17 2	19			POSITIONING				8				
8		7.20.1 9.4.2.2	14 7	21			FIGURE TOTAL K =				138				
9		1.12.3 9.1.1.1	13 6	19			INCLUDING POSITIONING =				146				
10							JUDGE'S NAME								
11							JUDGE'S NUMBER								
12							FREE PROGRAM CHECKED BY:								
							AIRCRAFT TYPE								



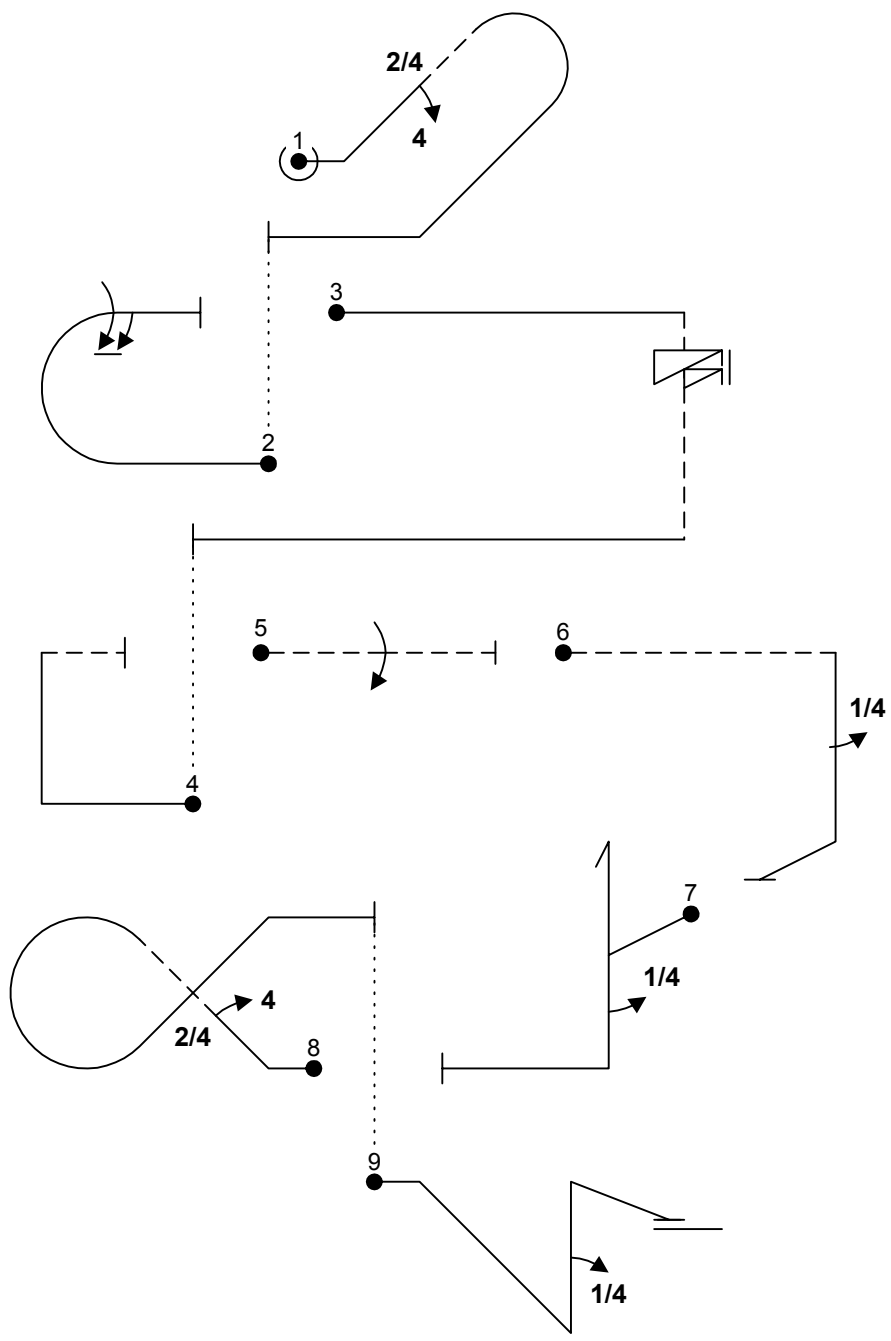
pilot's name  
(print)



<b>B</b>	Contest:		Category:	Intermediate	
Date:		Prog:	Unknown	pilot's number	

wind direction

Pilot:



Created Using Aresti 5™ software. ACCassidy@aol.com

A/C:

(signature/date)

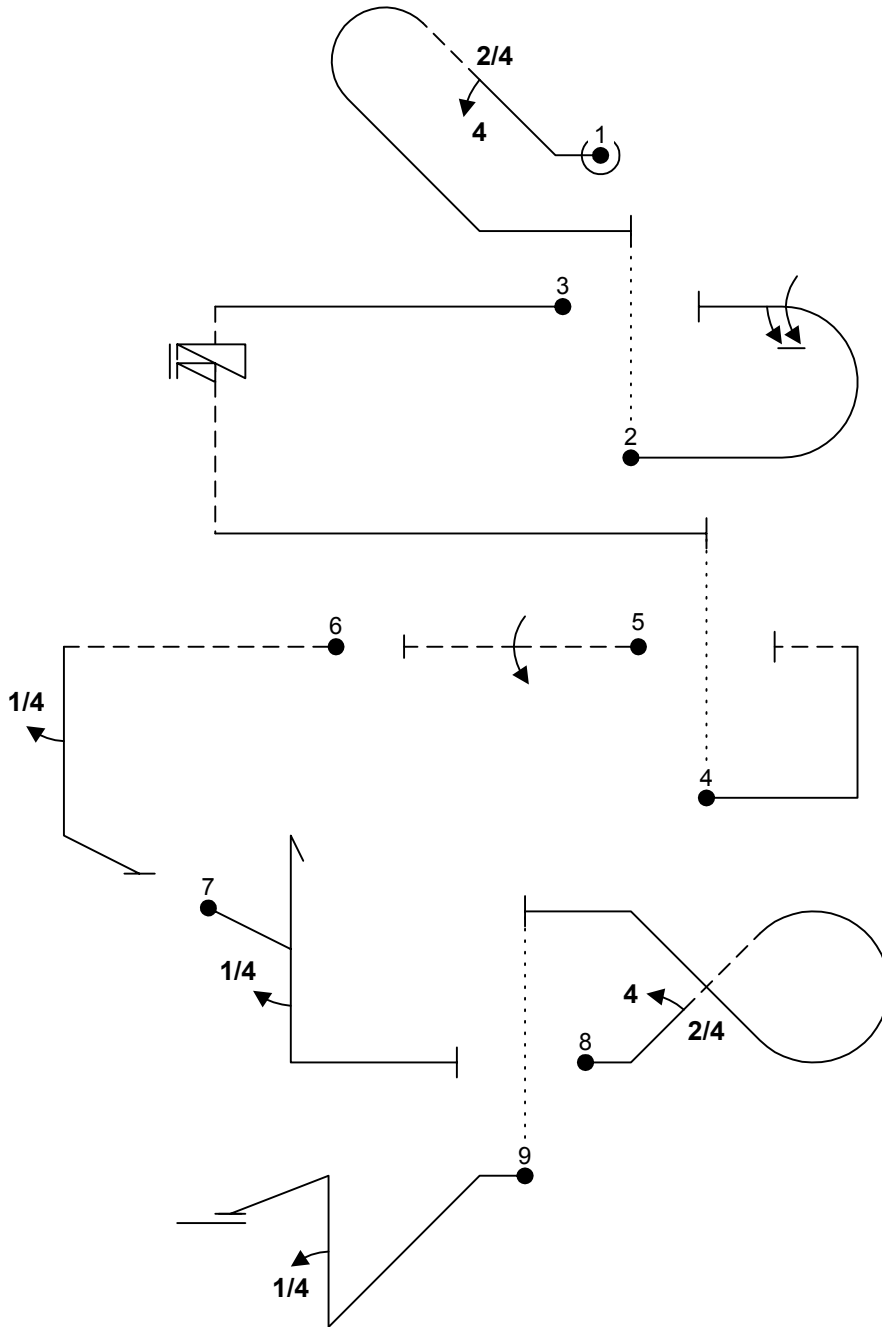
FREE PROGRAM CHECK BY:



<b>C</b>	Contest:		Category:	Intermediate	
Date:		Prog:	Unknown	pilot's number	

Pilot:

wind direction



A/C:

(signature/date)

FREE PROGRAM CHECK BY: