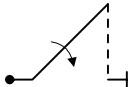
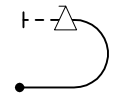
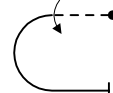
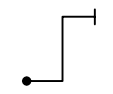
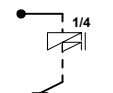
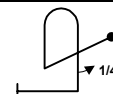
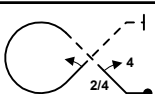
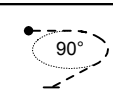
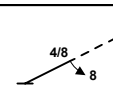


INTERNATIONAL AEROBATIC CLUB SCORESHEET					Contest:			Date:		Category		Programme		pilot's number
										Intermediate		Unknown		
No	Symbol	Catalog No	K	Tot. K	Score	Remarks	No	Symbol	Catalog No	K	Tot. K	Score	Remarks	
1		1.12.1 9.1.2.4	13 10	23			13							
2		7.1.1 9.9.3.4	6 11	17			14							
3		7.1.4 9.1.3.4	6 8	14			15							
4		1.6.1	10	10			16							
5		1.6.3 9.11.1.5	10 4	14			17							
6		8.1.1 9.1.5.1	13 2	15			18							
7		7.22.1 9.4.2.2 9.1.2.2	16 7 6	29			POSITIONING					8		
8		2.2.4	4	4			FIGURE TOTAL K =					135		
9		1.1.4 9.8.3.2	2 7	9			INCLUDING POSITIONING =					143		
10							JUDGE'S NAME							
11							JUDGE'S NUMBER							
12							FREE PROGRAM CHECKED BY:							
							AIRCRAFT TYPE							



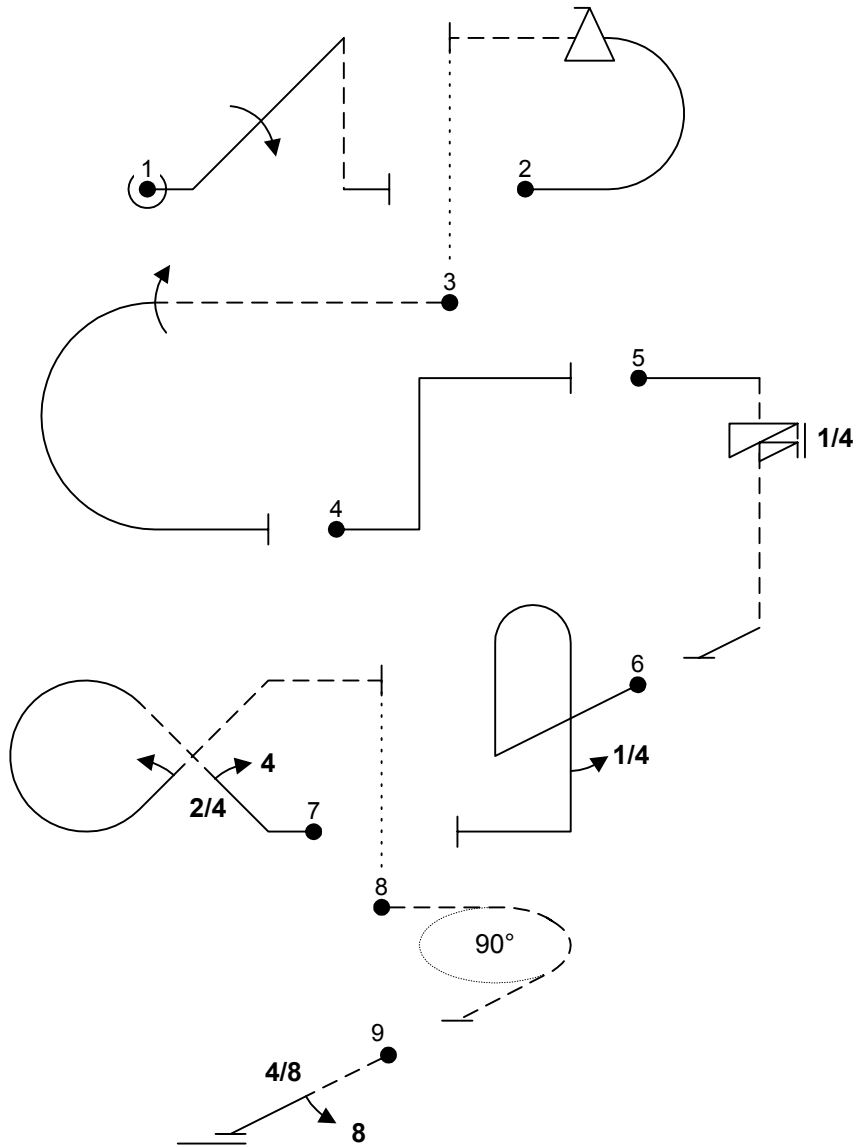
pilot's name
(print)



B	Contest:		Category:	Intermediate	
Date:		Prog:	Unknown	pilot's number	

wind direction

Pilot:

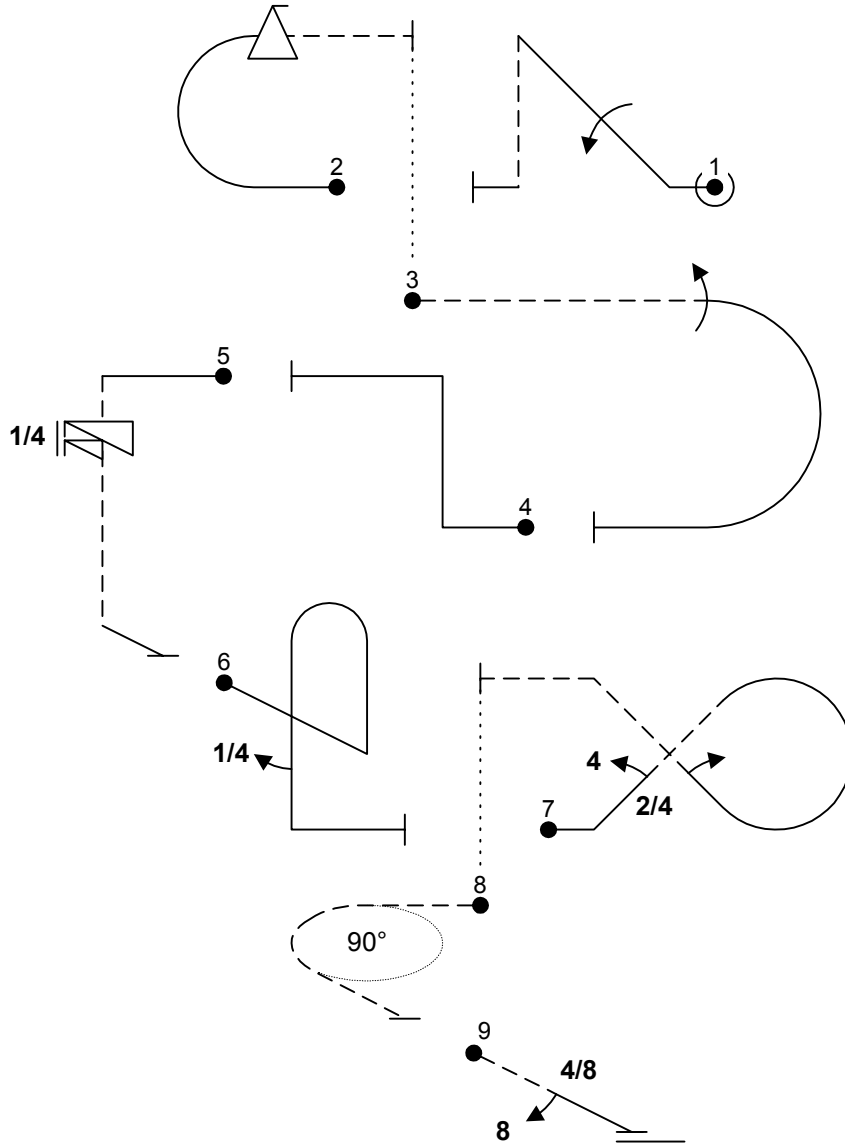




C	Contest:		Category:	Intermediate	
Date:		Prog:	Unknown	pilot's number	

Pilot:

wind direction



A/C:

(signature/date)

FREE PROGRAM CHECK BY: