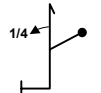
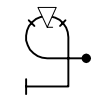
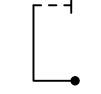
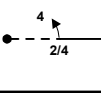
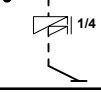
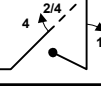
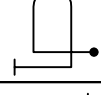
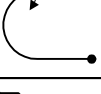
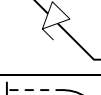
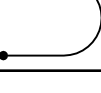


A	INTERNATIONAL AEROBATIC CLUB SCORESHEET				Contest:			Date:		Category		Programme		pilot's number	
										Intermediate		Unknown			
No	Symbol	Catalog No	K	Tot. K	Score	Remarks	No	Symbol	Catalog No	K	Tot. K	Score	Remarks		
1		5.1.1 9.1.1.1	17 6	23			13								
2		8.43.1 9.9.3.4	11 11	22			14								
3		1.7.1	9	9			15								
4		1.1.4 9.4.3.2	2 5	7			16								
5		1.6.3 9.11.1.5	10 4	14			17								
6		1.18.1 9.1.1.1 9.4.4.2	13 6 5	24			18								
7		8.1.1	13	13			POSITIONING					8			
8		7.2.1 9.1.3.2	6 4	10			FIGURE TOTAL K =					146			
9		1.2.3 9.9.4.4	7 11	18			INCLUDING POSITIONING =					154			
10		7.1.1	6	6			JUDGE'S NAME								
11							JUDGE'S NUMBER								
12							FREE PROGRAM CHECKED BY:								
							AIRCRAFT TYPE								



pilot's name
(print)

Created Using Aresti 5™ software. ACCassidy@aol.com

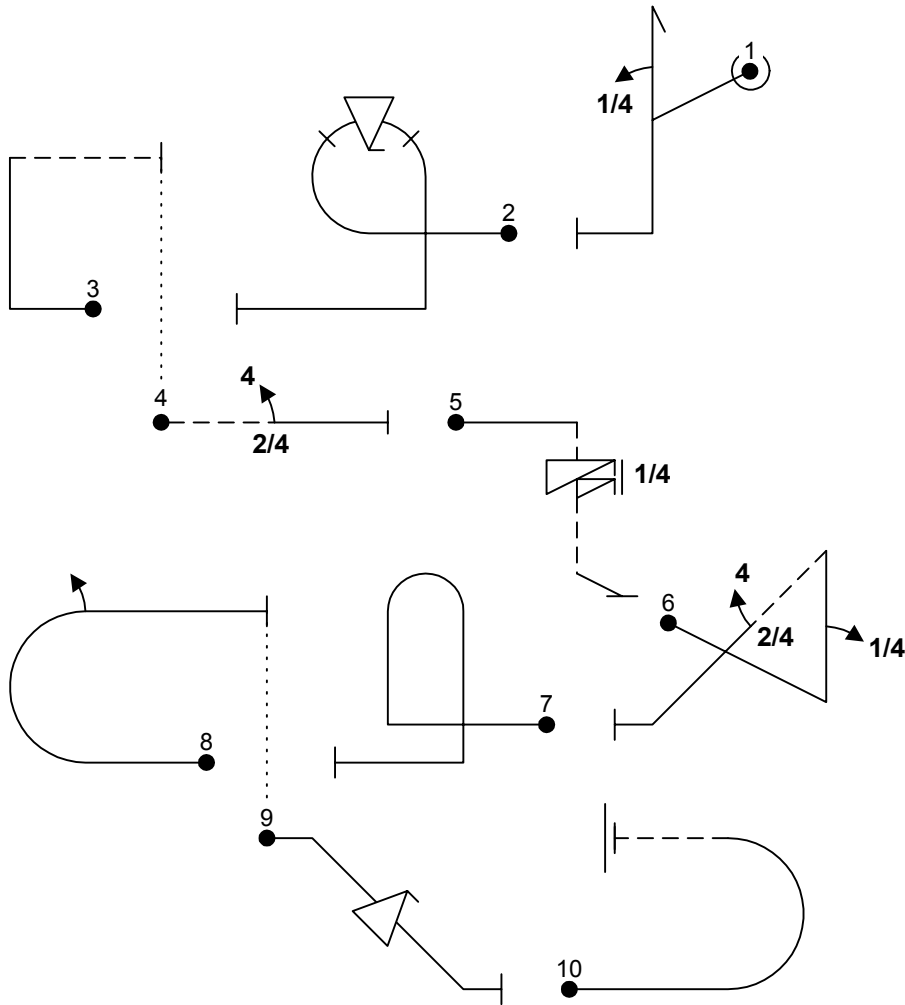


B	Contest:		Category:	Intermediate
Date:		Prog:	Unknown	pilot's number

wind direction

Pilot:

NOTE Y-AXIS START



A/C:

(signature/date)

FREE PROGRAM CHECK BY:

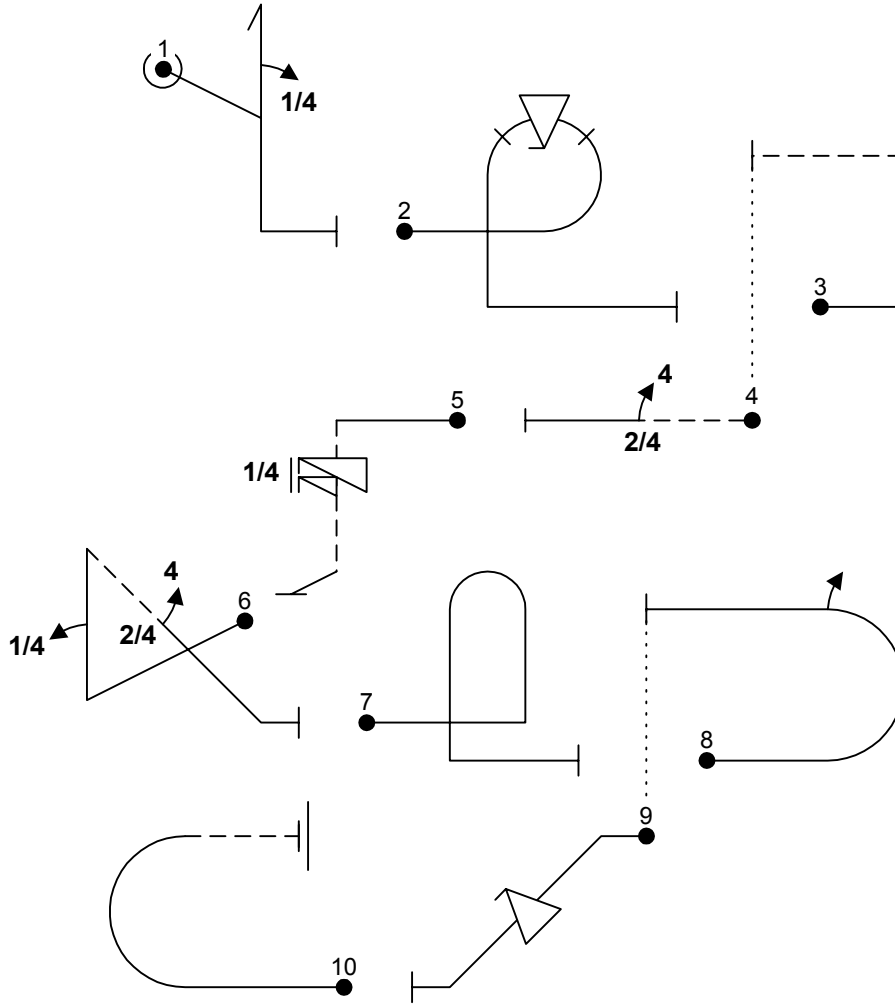


C	Contest:		Category:	Intermediate
Date:		Prog:	Unknown	pilot's number

Pilot:

wind direction

NOTE Y-AXIS START



A/C:

(signature/date)

FREE PROGRAM CHECK BY: