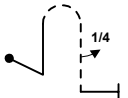
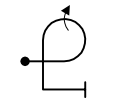
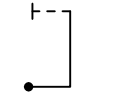
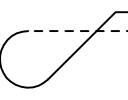
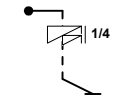
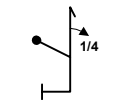
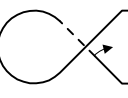
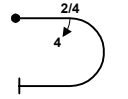
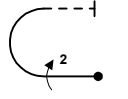
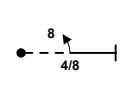


INTERNATIONAL AEROBATIC CLUB SCORESHEET					Contest:			Date:		Category		Programme		pilot's number
A										Intermediate		Unknown		
No	Symbol	Catalog No	K	Tot. K	Score	Remarks	No	Symbol	Catalog No	K	Tot. K	Score	Remarks	
1		8.3.1 9.1.5.1	15 2	17			13							
2		8.43.1 9.1.3.4	11 8	19			14							
3		1.7.1	9	9			15							
4		8.41.4	10	10			16							
5		1.6.3 9.11.1.5	10 4	14			17							
6		5.1.1 9.1.1.1	17 6	23			18							
7		7.20.1 9.1.2.2	14 6	20			POSITIONING				8			
8		7.3.3 9.4.3.2	6 5	11			FIGURE TOTAL K =				147			
9		7.1.1 9.2.3.4	6 9	15			INCLUDING POSITIONING =				155			
10		1.1.4 9.8.3.2	2 7	9			JUDGE'S NAME _____							
11							JUDGE'S NUMBER _____							
12							FREE PROGRAM CHECKED BY: _____							
							AIRCRAFT TYPE _____							



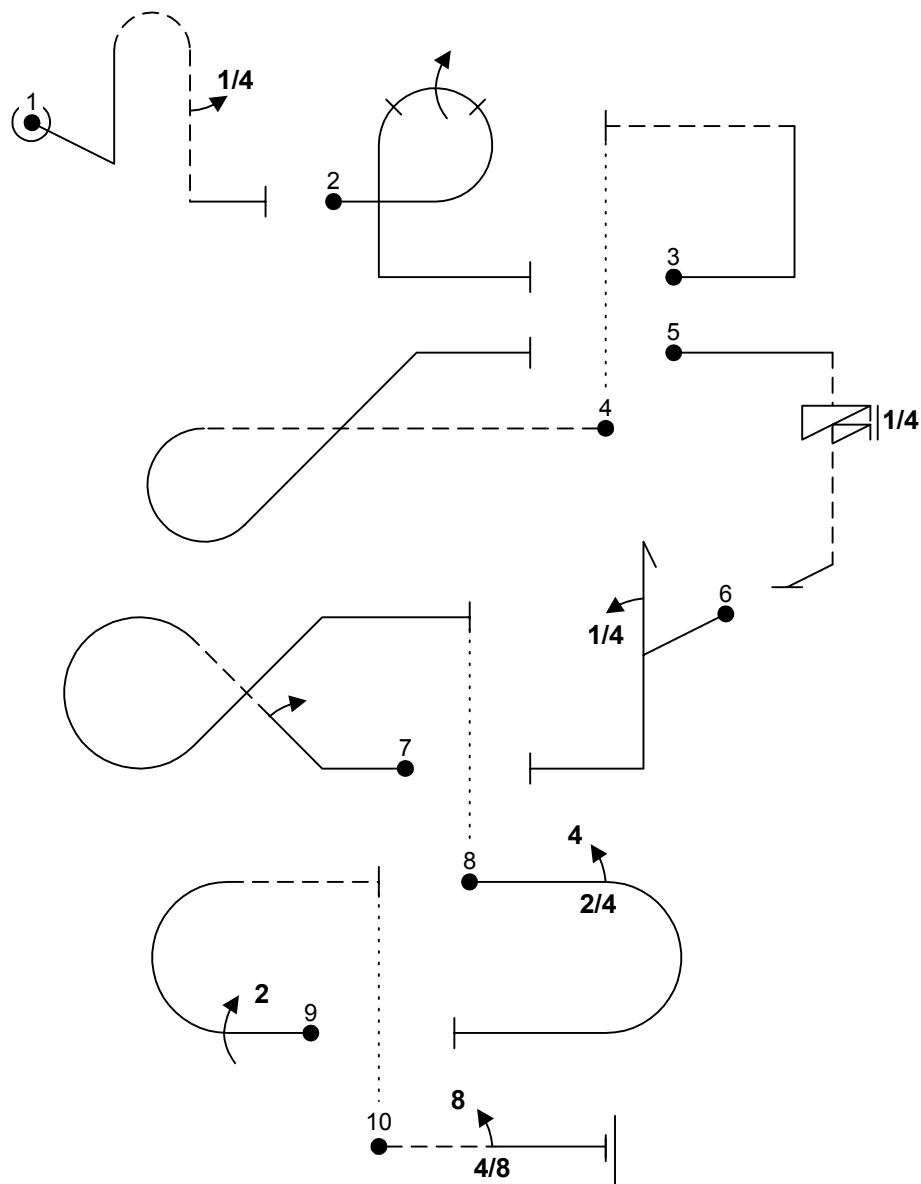
pilot's name
(print)



B	Contest:		Category:	Intermediate	
Date:		Prog:	Unknown	pilot's number	

wind direction

NOTE Y-AXIS START



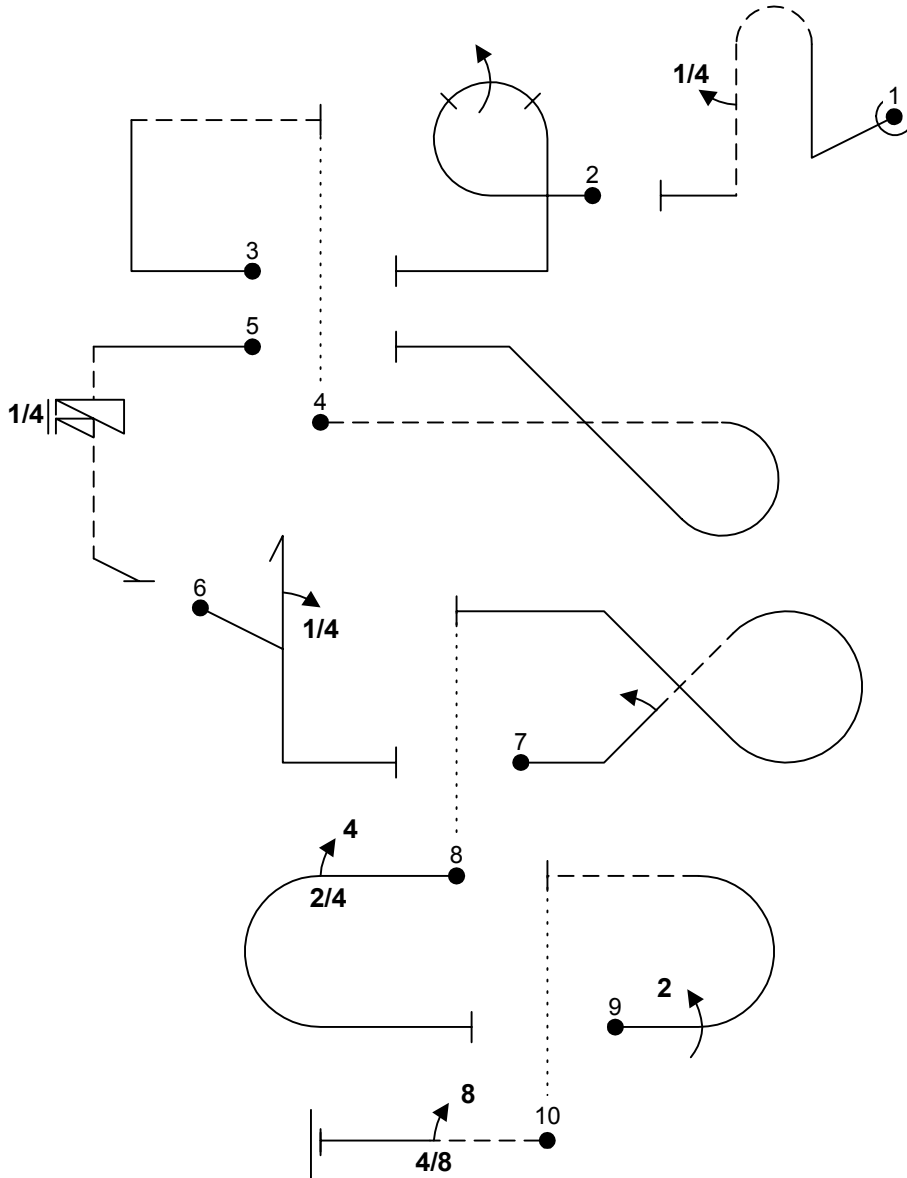


C	Contest:		Category:	Intermediate
Date:		Prog:	Unknown	pilot's number

Pilot:

wind direction

NOTE Y-AXIS START



A/C:

(signature/date)

FREE PROGRAM CHECK BY: