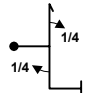
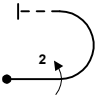
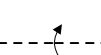
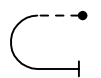
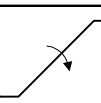
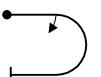
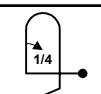
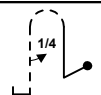

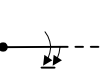


A	INTERNATIONAL AEROBATIC CLUB SCORESHEET				Contest:			Date:		Category		Programme		pilot's number	
										Intermediate		Unknown			
No	Symbol	Catalog No	K	Tot. K	Score	Remarks	No	Symbol	Catalog No	K	Tot. K	Score	Remarks		
1		5.1.1 9.1.1.1 9.1.5.1	17 6 2	25			13								
2		7.1.1 9.2.3.4	6 9	15			14								
3		1.1.2 9.1.3.4	3 8	11			15								
4		7.1.4	6	6			16								
5		1.2.1 9.1.2.4	7 10	17			17								
6		7.3.3 9.1.3.2	6 4	10			18								
7		8.1.1 9.1.1.1	13 6	19			POSITIONING				8				
8		8.3.1 9.1.5.1	15 2	17			FIGURE TOTAL K =				150				
9		1.18.1 9.4.4.2	13 5	18			INCLUDING POSITIONING =				158				
10		1.1.3 9.1.3.6	2 10	12			JUDGE'S NAME								
11							JUDGE'S NUMBER								
12							FREE PROGRAM CHECKED BY:								
							AIRCRAFT TYPE								



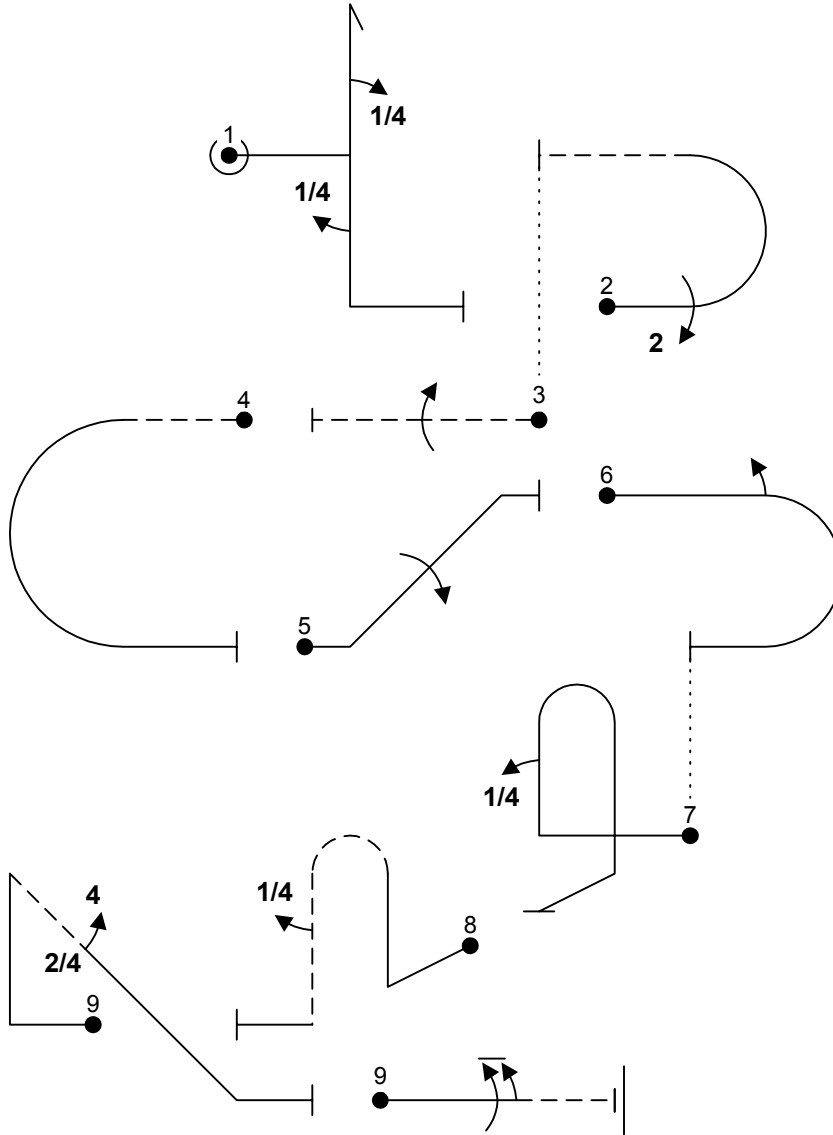
pilot's name
(print)



B	Contest:		Category:	Intermediate	
Date:		Prog:	Unknown	pilot's number	

wind direction

Pilot:



A/C:

(signature/date)

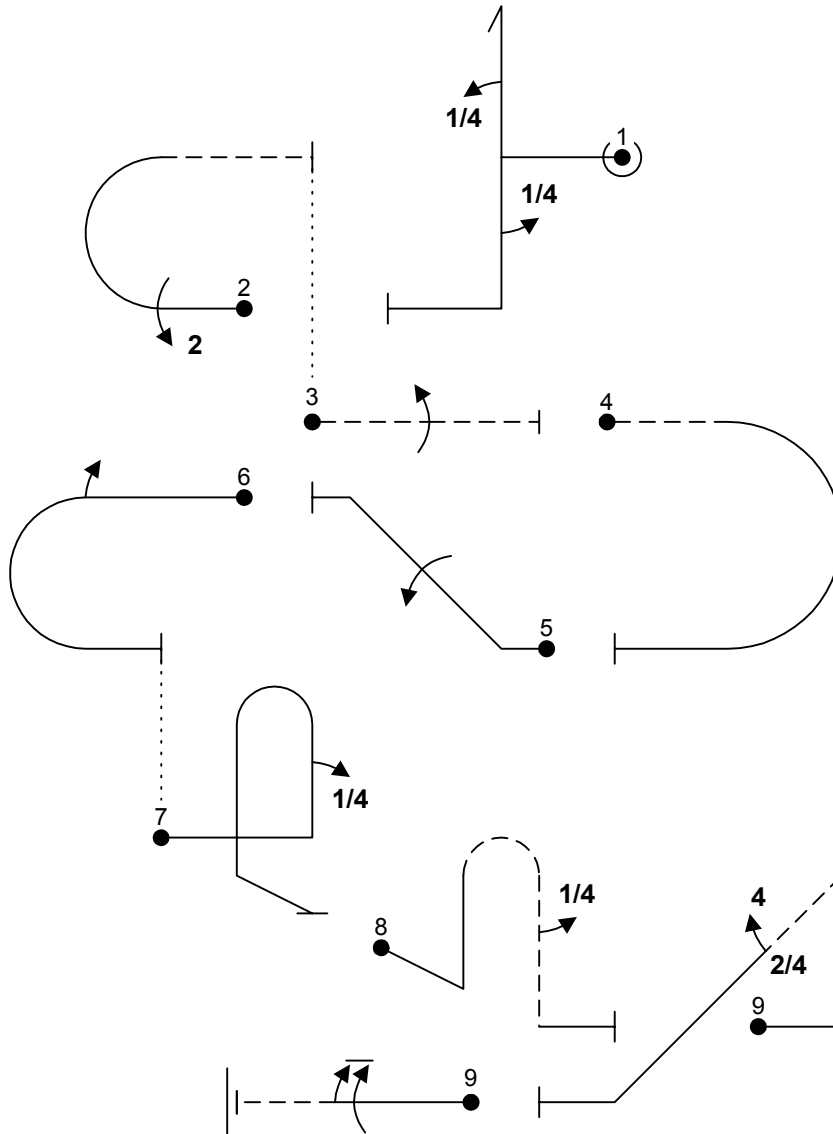
FREE PROGRAM CHECK BY:



C	Contest:		Category:	Intermediate	
Date:		Prog:	Unknown	pilot's number	

Pilot:

wind direction



A/C:

(signature/date)

FREE PROGRAM CHECK BY: