

A	INTERNATIONAL AEROBATIC CLUB SCORESHEET				Contest:			Date:		Category		Programme		pilot's number	
										Intermediate		Unknown			
No	Symbol	Catalog No	K	Tot. K	Score	Remarks	No	Symbol	Catalog No	K	Tot. K	Score	Remarks		
1		8.3.1	15	15			13								
2		7.5.1 9.9.3.4	10 11	21			14								
3		5.1.1 9.1.1.1	17 6	23			15								
4		8.1.1 9.1.5.1	13 2	15			16								
5		1.29.1 9.1.2.2	18 6	24			17								
6		1.6.3 9.11.1.6	10 3	13			18								
7		1.1.3 9.4.3.2	2 5	7			POSITIONING					8			
8		7.3.2 9.1.3.2	7 4	11			FIGURE TOTAL K =					146			
9		1.15.4 9.1.4.2	13 4	17			INCLUDING POSITIONING =					154			
10							JUDGE'S NAME								
11							JUDGE'S NUMBER								
12							FREE PROGRAM CHECKED BY:								
							AIRCRAFT TYPE								



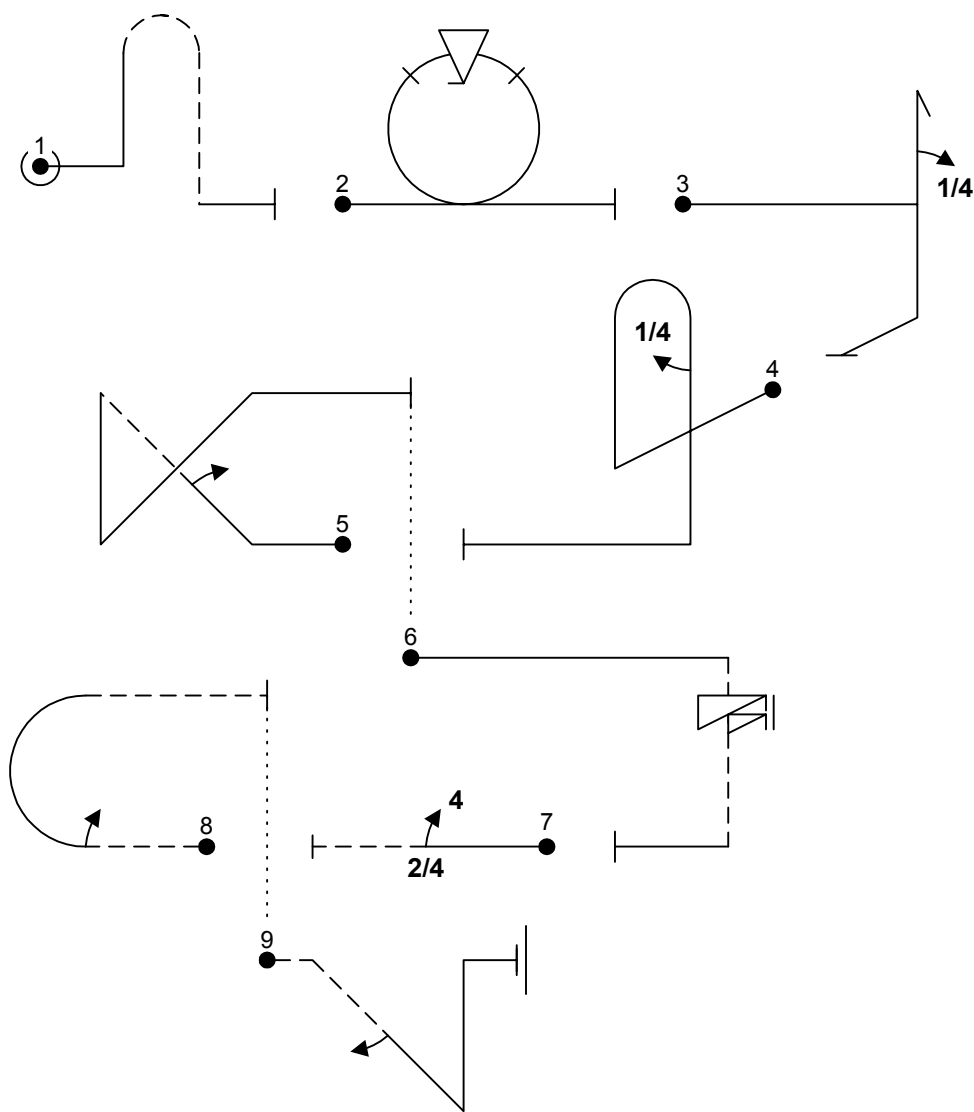
pilot's name  
(print)



<b>B</b>	Contest:		Category:	Intermediate	
Date:		Prog:	Unknown	pilot's number	

wind direction

Pilot:



A/C:

(signature/date)

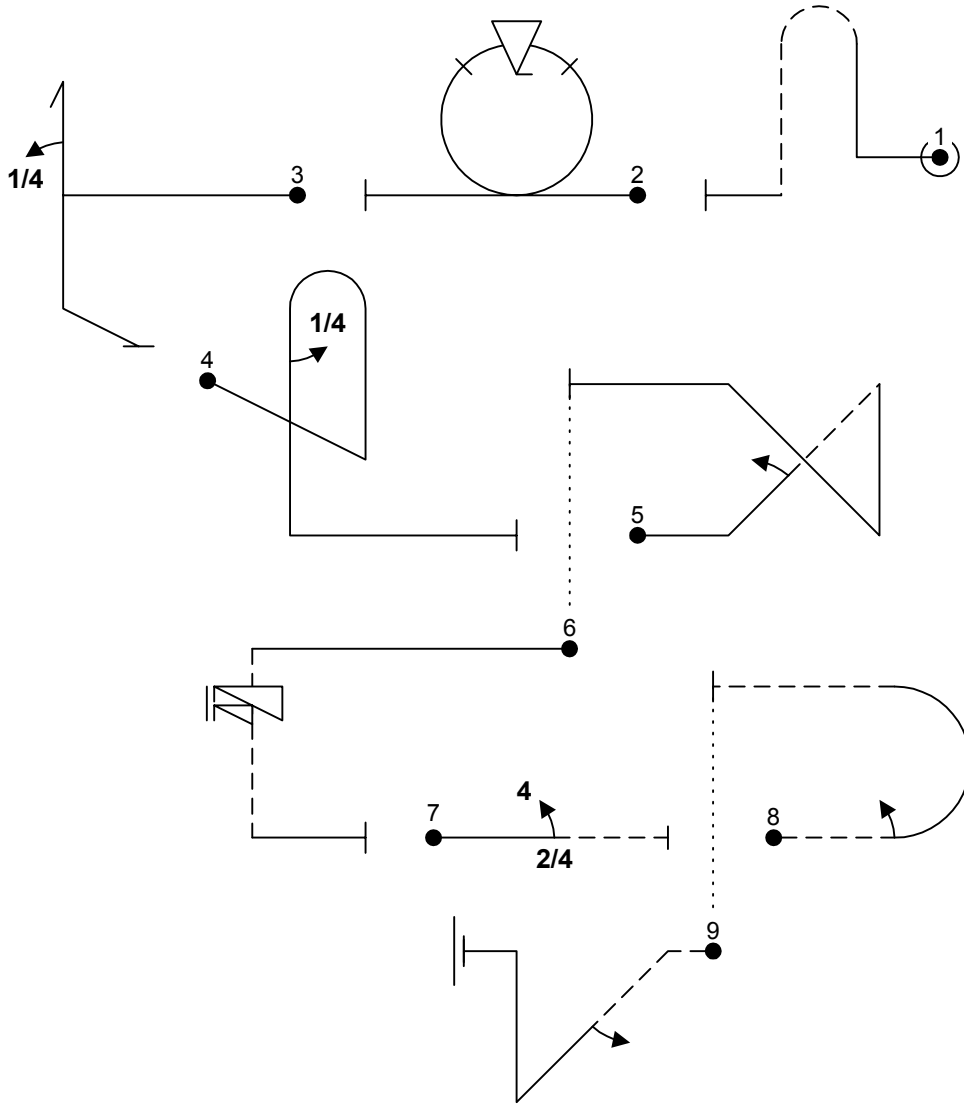
FREE PROGRAM CHECK BY:



<b>C</b>	Contest:		Category:	Intermediate
Date:		Prog:	Unknown	pilot's number

Pilot:

wind direction



A/C:

(signature/date)

FREE PROGRAM CHECK BY: