

INTERNATIONAL AEROBATIC CLUB SCORESHEET

A

Contest: IAC Nationals	Date: 2023	Category: Power Intermediate	Programme: Free	pilot's number	
----------------------------------	----------------------	--	---------------------------	-------------------	--

No	Symbol	Cat. No.	K	Total K	Grade	Remarks	Item	K	Score						
1		1.1.6.1	10	10			Presentation	20							
2		1.1.6.3 9.11.1.6	10 3	13			FIGURE TOTAL K =		190						
3		7.2.2.1 9.1.3.2	6 4	10			INC. PRESENTATION =		210						
4		1.1.1.1 9.9.3.4	2 11	13			Aircraft type: Extra 330SC								
5		7.2.3.3 9.4.3.2	6 5	11			<div style="border: 1px solid black; padding: 5px; margin-bottom: 5px;"> FREE PROGRAM CHECKED BY: </div> <table border="1" style="width: 100%; border-collapse: collapse;"> <tr> <td style="width: 33%; height: 100px; vertical-align: bottom;">Signature:</td> <td style="width: 33%; height: 100px; vertical-align: bottom;">Printed Name:</td> <td style="width: 33%; height: 100px; vertical-align: bottom;">Date:</td> </tr> <tr> <td style="height: 20px;">IAC No.:</td> <td colspan="2"></td> </tr> </table>			Signature:	Printed Name:	Date:	IAC No.:		
Signature:	Printed Name:	Date:													
IAC No.:															
6		5.2.1.1 9.8.5.1	17 3	20											
7		8.4.1.1 9.1.5.1	13 2	15											
8		1.2.7.1 9.4.4.2	13 5	18											
9		5.3.3.1	18	18											
10		1.1.7.1	9	9											
11		1.1.7.4	9	9											
12		7.2.1.1	6	6											
13		7.2.1.4 9.1.3.4	6 8	14											
14		8.4.3.1 9.1.5.2	15 4	19											
15		2.3.1.1	5	5											

Judge Name:
IAC #

Assistant Name:
IAC #

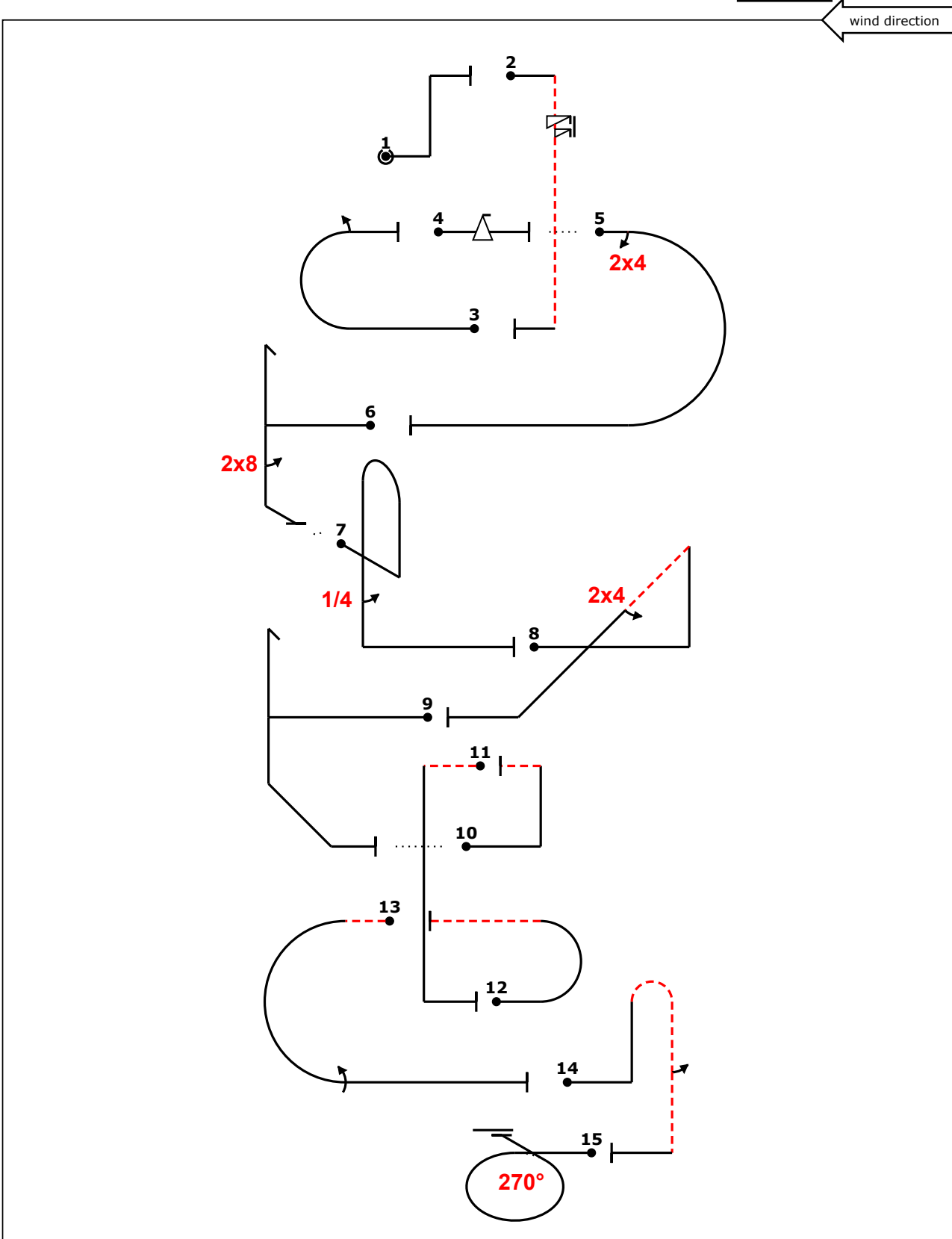


Peter Nassar Pilot
N330SL A/C



B	Contest:	IAC Nationals	Category:	Power Intermediate
	Date:	2023	Program:	Free
			Pilot's No.	<input type="text"/>

Pilot: Peter Nassar



A/C: Extra 330SC

(signature/date)

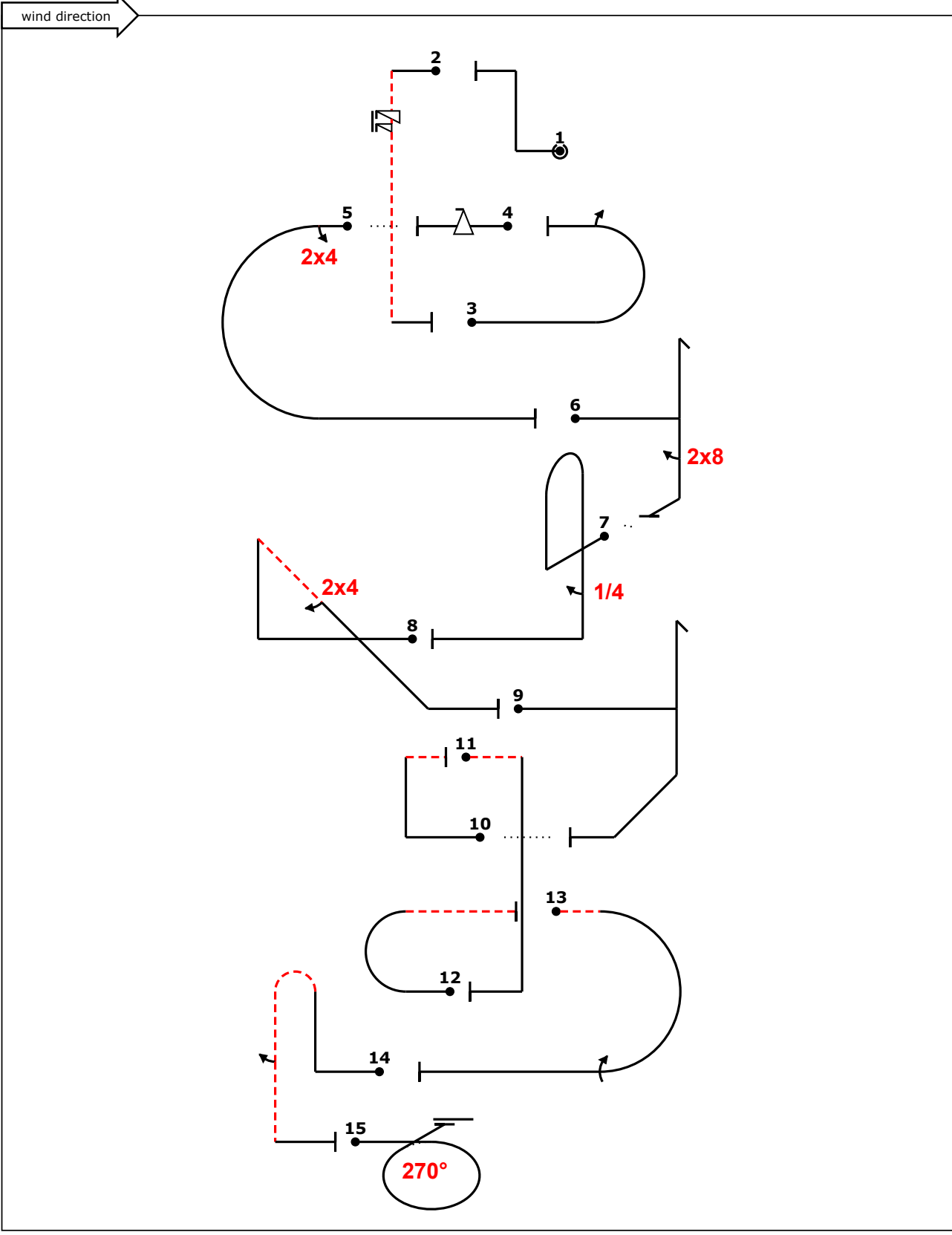
FREE PROGRAM CHECK BY:

(0,0) /v 2> iv6s.... 2% 2> ++m2 2> f (3,0) 14% ~~~,24a+-- 2> ++h|"8"- (1,0) 5% ~~~b'""|"4+- -++k'""|"24..'+ 1% -++hd (5,0) +v- 3% -iv... ' m--- (0,0) 10% -~~al+- 2> pb'2.' 2% 3j>



C	Contest:	IAC Nationals		Category:	Power Intermediate
	Date:	2023	Program:	Free	Pilot's No.

Pilot: Peter Nassar



A/C: Extra 330SC

(signature/date)

FREE PROGRAM CHECK BY:

(0,0) /v 2> iv6s..... 2% 2> ++m2 2> f (3,0) 14% ~~~,24a+~ 2> ++h|"8"- (1,0) 5% ~~~b'""|"4"+- ~++k'""|"24..'+ 1% ~++hd (5,0) +v- 3% -iv... ' m--- (0,0) 10% ~~~al+~ 2> pb'2.' 2% 3j>