

INTERNATIONAL AEROBATIC CLUB SCORESHEET

A	Contest:	Date:	Category: Intermediate	Programme: Free	pilot's number	

No	Symbol	Catalogue No.	K	Total K	Score	Remarks
1		5.1.1 9.1.1.2 9.1.5.1	17 8 2	27		
2		8.3.1 9.1.5.2	15 4	19		
3		1.1.1 9.2.3.4	2 9	11		
4		8.32.1 9.4.2.2	10 7	17		
5		1.2.1	7	7		
6		1.6.3 9.11.1.5	10 4	14		
7		1.6.1 9.1.1.1	10 6	16		
8		1.2.3 9.9.4.4	7 11	18		
9		7.2.1 9.1.3.2	6 4	10		
10		1.1.1 9.4.3.4	2 11	13		
11		7.3.3 9.4.3.2	6 5	11		
12		8.43.1 9.8.5.1	11 3	14		
13		1.1.3 9.9.3.2	2 11	13		
14						
15						
16						

Positioning	8	
--------------------	----------	--

FIGURE TOTAL K = 190

INCLUDING POSITIONING = 198

Aircraft Type:

Christen Eagle

FREE PROGRAM CHECKED BY:

(signature/date)

Judges Details	
Name	
Number	



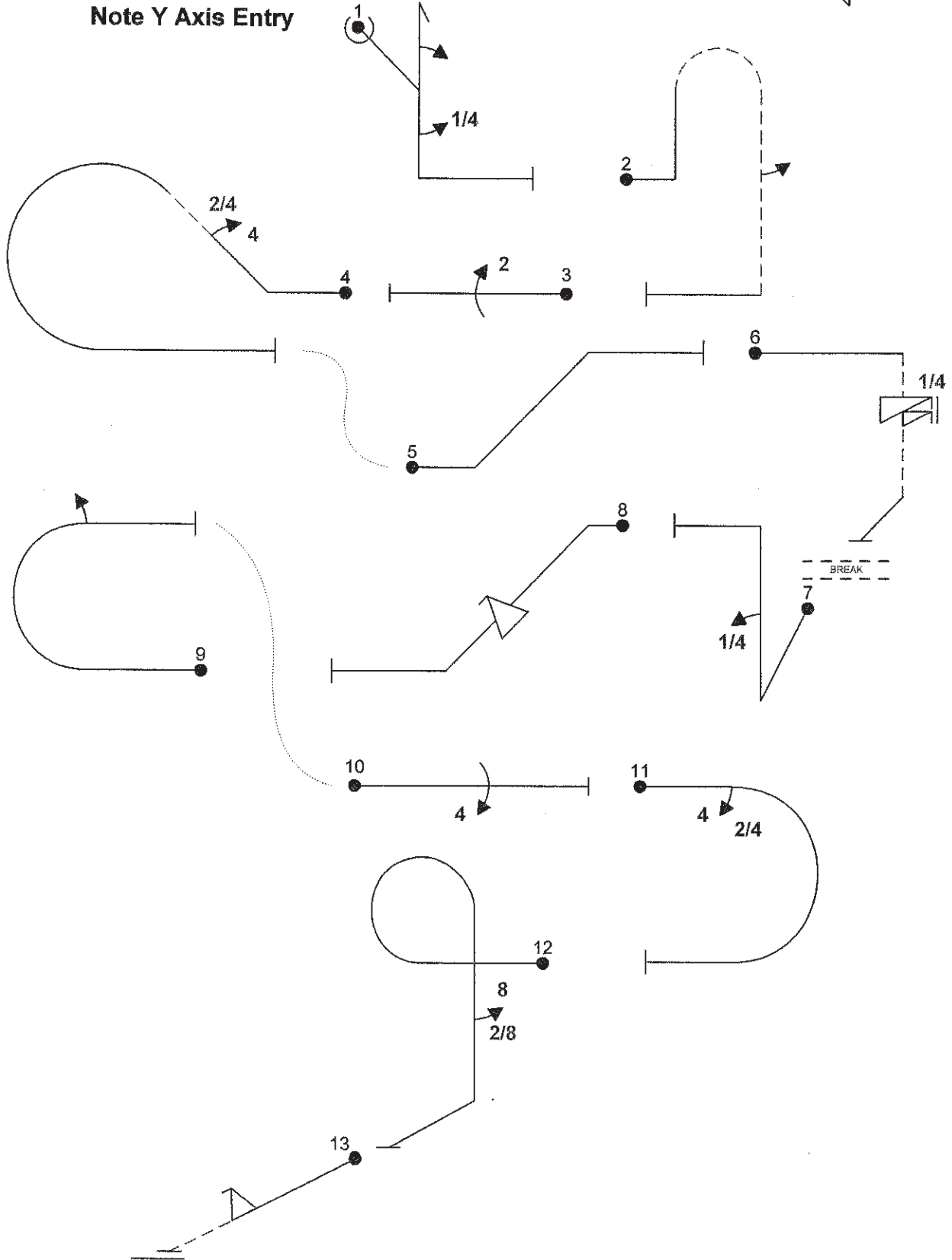
PILOT



B	Contest:	Category: Intermediate	
	Date:	Program: Free	Pilot's No. <input type="text"/>

wind direction

Note Y Axis Entry



Pilot:

Christen Eagle

A/C:

(signature/date)

FREE PROGRAM CHECK BY:

