

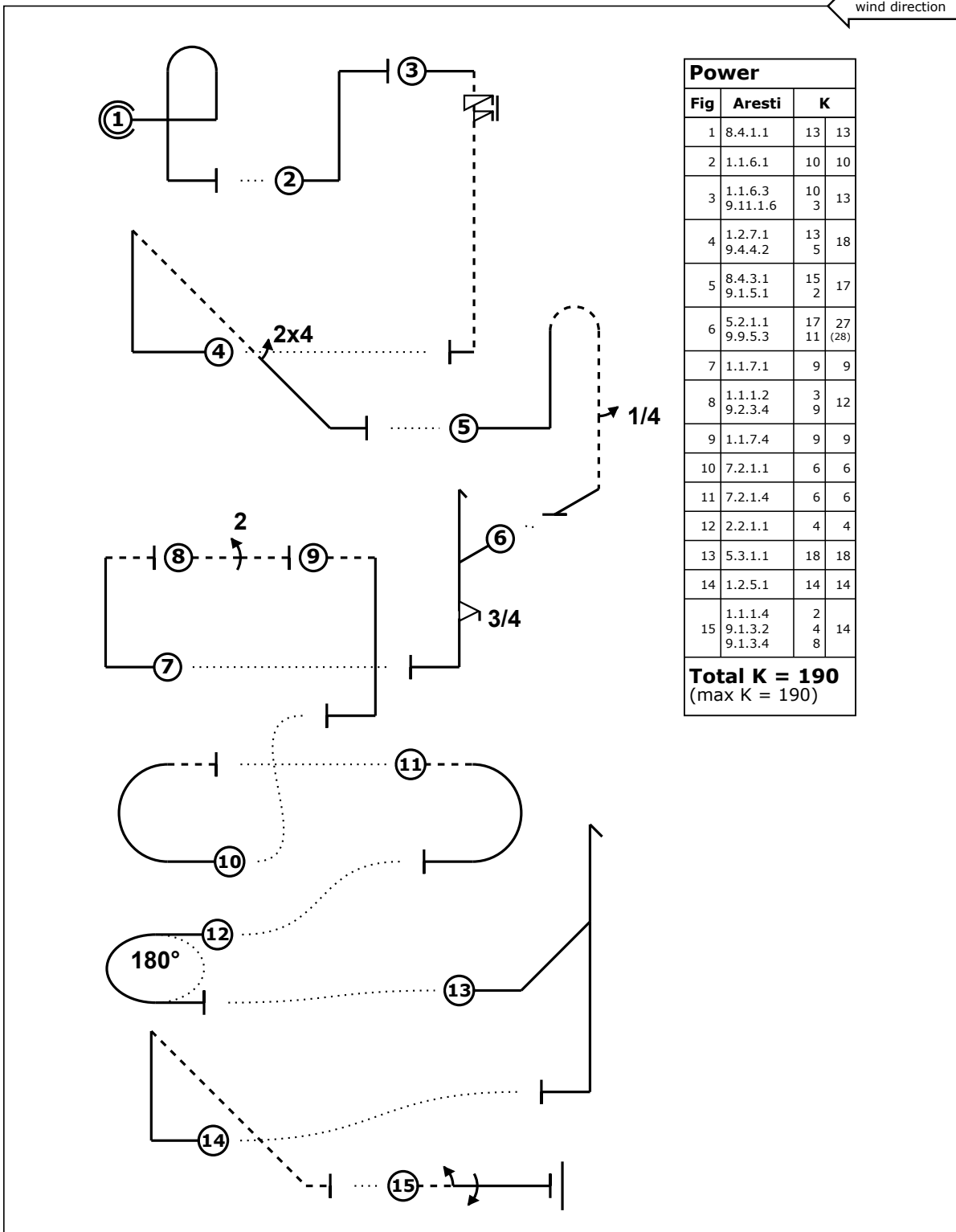
INTERNATIONAL AEROBATIC CLUB SCORESHEET										
A	Contest:			Date:	Category: Power Intermediate	Programme: Free	pilot's number			
	No	Symbol	Cat. No.	K	Total K	Grade	Remarks	Item	K	Score
1		8.4.1.1	13	13				<b>Presentation</b>	20	
2		1.1.6.1	10	10				FIGURE TOTAL K =	190	
3		1.1.6.3 9.11.1.6	10 3	13				INC. PRESENTATION =	210	
4		1.2.7.1 9.4.4.2	13 5	18				Aircraft type: Extra 300S		
5		8.4.3.1 9.1.5.1	15 2	17				FREE PROGRAM CHECKED BY: Signature: _____ Printed Name: _____ IAC No: _____ Date: _____		
6		5.2.1.1 9.9.5.3 F.P.	17 11	27 (28)						
7		1.1.7.1	9	9						
8		1.1.1.2 9.2.3.4	3 9	12						
9		1.1.7.4	9	9						
10		7.2.1.1	6	6				Judge Name:		
11		7.2.1.4	6	6				IAC #		
12		2.2.1.1	4	4				Assistant Name:		
13		5.3.1.1	18	18				IAC #		
14		1.2.5.1	14	14				 INTERNATIONAL AEROBATIC CLUB Leigh Hubner Pilot IAC		
15		1.1.1.4 9.1.3.2 9.1.3.4	2 4 8	14						



<b>B</b>	Contest:	Category: <b>Power Intermediate</b>
	Date:	Program: <b>Free</b>
		Pilot's No. <span style="border: 1px solid black; display: inline-block; width: 40px; height: 20px; vertical-align: middle;"></span>

Pilot: Leigh Hubner

wind direction



Power			
Fig	Aresti	K	
1	8.4.1.1	13	13
2	1.1.6.1	10	10
3	1.1.6.3	10	13
	9.11.1.6	3	
4	1.2.7.1	13	18
	9.4.4.2	5	
5	8.4.3.1	15	17
	9.1.5.1	2	
6	5.2.1.1	17	27 (28)
	9.9.5.3	11	
7	1.1.7.1	9	9
8	1.1.1.2	3	12
	9.2.3.4	9	
9	1.1.7.4	9	9
10	7.2.1.1	6	6
11	7.2.1.4	6	6
12	2.2.1.1	4	4
13	5.3.1.1	18	18
14	1.2.5.1	14	14
15	1.1.1.4	2	14
	9.1.3.2	4	
	9.1.3.4	8	
<b>Total K = 190</b>		<b>(max K = 190)</b>	

A/C: Extra 300S

(signature/date)

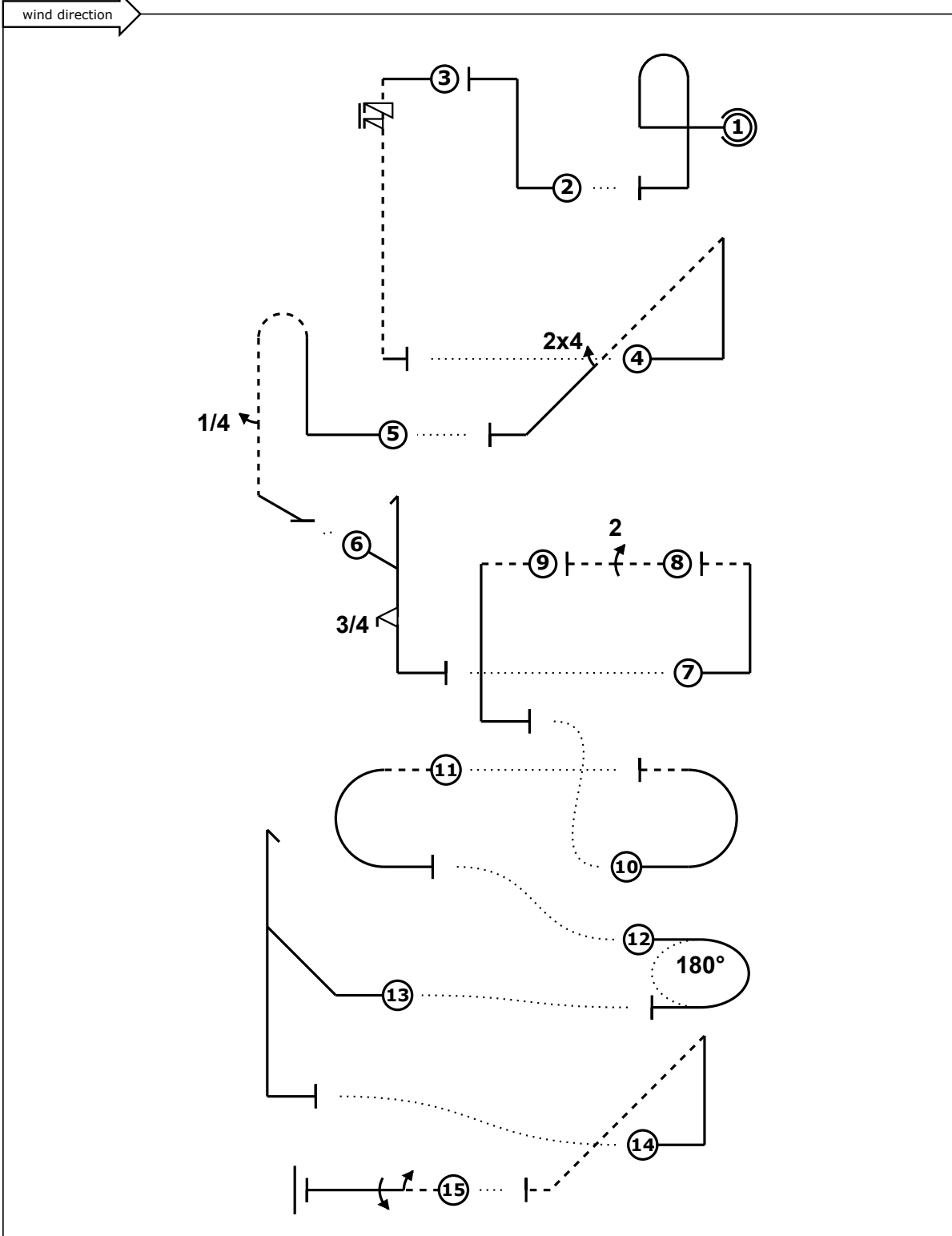
FREE PROGRAM CHECK BY:

(-2,0) -""b"+"" (2,0) ^+^ iv^6s.....+"" (-15,0) --k..'24+^ (4,0) pb'4'' (-1,0) ``h3E'' (-16,0) v'- -22- -iv.''' (-4,12) m  
- (12,0) -a (-13,6) 2j (17,-1) dh..''' (-23,4) ^k''-- (2,0) -^2,1--



<b>C</b>	Contest:	Category:
	Date:	Program: Free

Pilot: Leigh Hubner



A/C: Extra 300S

(signature/date)

FREE PROGRAM CHECK BY:

(-2,0) -""b"+ (2,0) +v' iv''6s.....+'' (-15,0) --k..'24+' (4,0) pb'4'' (-1,0) ''h3E'' (-16,0) v'- -22- -iv.''' (-4,12) m - (12,0) -a (-13,6) 2j (17,-1) dh..''' (-23,4) ^k''-'' (2,0) -'2,1--