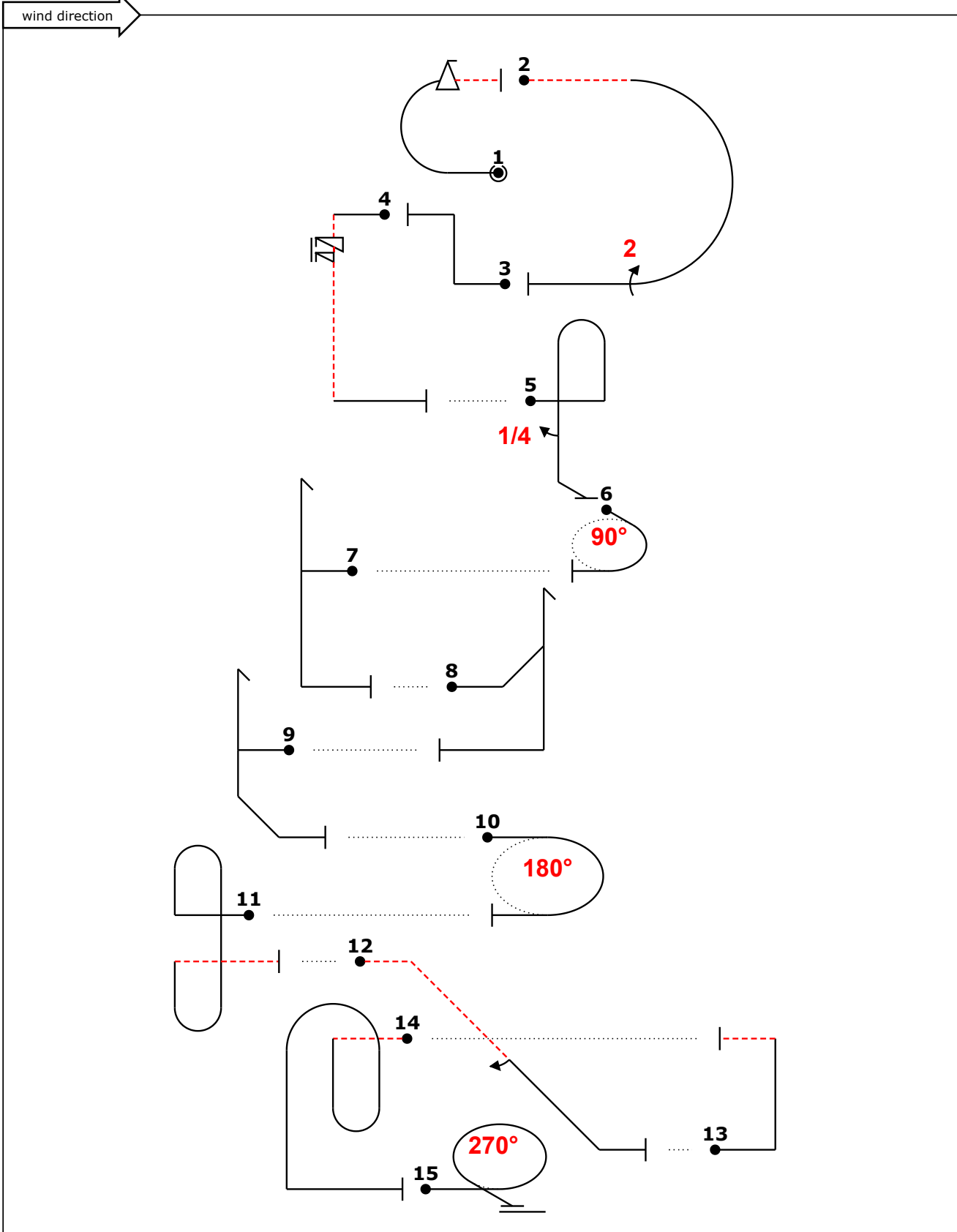


A	INTERNATIONAL AEROBATIC CLUB SCORESHEET																				
	Contest:			Date:		Category: Power Intermediate		Programme: Free		pilot's number											
No	Symbol	Cat. No.	K	Total K	Grade	Remarks	Item	K	Score												
1		7.2.1.1 9.9.3.4	6 11	17			<div style="border: 1px solid black; padding: 5px; margin-bottom: 5px;">Presentation</div> <div style="border: 1px solid black; padding: 5px; margin-bottom: 5px;">FIGURE TOTAL K = 190</div> <div style="border: 1px solid black; padding: 5px; margin-bottom: 5px;">INC. PRESENTATION = 210</div> <div style="border: 1px solid black; padding: 5px; margin-bottom: 5px;">Aircraft type: Extra 300L</div> <div style="border: 1px solid black; padding: 5px; margin-bottom: 5px;"> <table style="width:100%; border-collapse: collapse;"> <tr> <td style="width: 33%; border-right: 1px solid black; padding: 5px;">Signature:</td> <td style="width: 33%; border-right: 1px solid black; padding: 5px;">Printed Name:</td> <td style="width: 33%; padding: 5px;">Date:</td> </tr> <tr> <td style="border-right: 1px solid black; padding: 5px;"> </td> <td style="border-right: 1px solid black; padding: 5px;"> </td> <td style="padding: 5px;"> </td> </tr> <tr> <td style="border-right: 1px solid black; padding: 5px;"> </td> <td style="border-right: 1px solid black; padding: 5px;"> </td> <td style="padding: 5px;"> </td> </tr> </table> </div> <div style="border: 1px solid black; padding: 5px; margin-bottom: 5px;">Judge Name:</div> <div style="border: 1px solid black; padding: 5px; margin-bottom: 5px;">IAC #</div> <div style="border: 1px solid black; padding: 5px; margin-bottom: 5px;">Assistant Name:</div> <div style="border: 1px solid black; padding: 5px; margin-bottom: 5px;">IAC #</div> <div style="text-align: center; margin-bottom: 5px;"> </div> <div style="text-align: right; font-weight: bold; font-size: 1.2em;"> Ryan Chapman C-GXRA Pilot A/C </div>	Signature:	Printed Name:	Date:											
Signature:	Printed Name:	Date:																			
2		7.2.1.4 9.2.3.4	6 9	15																	
3		1.1.6.1	10	10																	
4		1.1.6.3 9.11.1.6	10 3	13																	
5		8.4.1.1 9.1.5.1	13 2	15																	
6		2.1.1.1	3	3																	
7		5.2.1.1	17	17																	
8		5.3.1.1 F.P.	18	17 (18)																	
9		5.3.3.1	18	18																	
10		2.2.1.1	4	4																	
11		8.8.1.1	18	18																	
12		1.1.3.4 9.1.4.2	7 4	11																	
13		1.1.7.1	9	9																	
14		8.8.1.4	18	18																	
15		2.3.1.1	5	5																	

Pilot: Ryan Chapman



C	Contest:	Category: Power Intermediate
	Date:	Program: Free
		Pilot's No.



A/C: Extra 300L

(signature/date)

FREE PROGRAM CHECK BY:

m, f- 12% -a22 v` iv` 6s. .''+~ (-5,0) ``b''4+` -2% j> (15,0) h, ~ (-3,0) ``dh(''') .+~ (9,0) `hd(''') `` (-10,0) 2% 2j (1 7,0) ``bb(''') `` (-3,0) -id. ''2.. ' (-2,0) 2% v- (23,0) -1bB(''') ..+ 3j