

INTERNATIONAL AEROBATIC CLUB SCORESHEET											
A	Contest:				Date:	Category: Power Intermediate	Programme: Free	pilot's number			
	No	Symbol	Cat. No.	K	Total K	Grade	Remarks	Item	K	Score	
1		1.1.7.1	9	9				Presentation	20		
2		1.1.7.4	9	9				FIGURE TOTAL K =	190		
3		1.1.6.1	10	10				INC. PRESENTATION =	210		
4		1.1.6.3 9.11.1.6	10 3	13				Aircraft type: Pitts S-1E			
5		1.2.3.1 9.1.2.2	12 6	18				FREE PROGRAM CHECKED BY: Signature: _____ Printed Name: _____ IAC No: _____ Date: _____			
6		8.4.3.1	15	15							
7		5.2.1.1 9.8.5.1	17 3	20							
8		8.4.1.1 9.1.5.1	13 2	15							
9		5.3.1.1	18	18							
10		1.2.1.1 9.1.5.2	13 4	17							
11		7.2.2.1 9.1.3.2	6 4	10					Judge Name:		
12		7.2.3.3 9.9.3.2	6 11	17					IAC #		
13		7.2.1.1	6	6					Assistant Name:		
14		1.1.10.4	8	8					IAC #		
15		2.3.1.1	5	5							

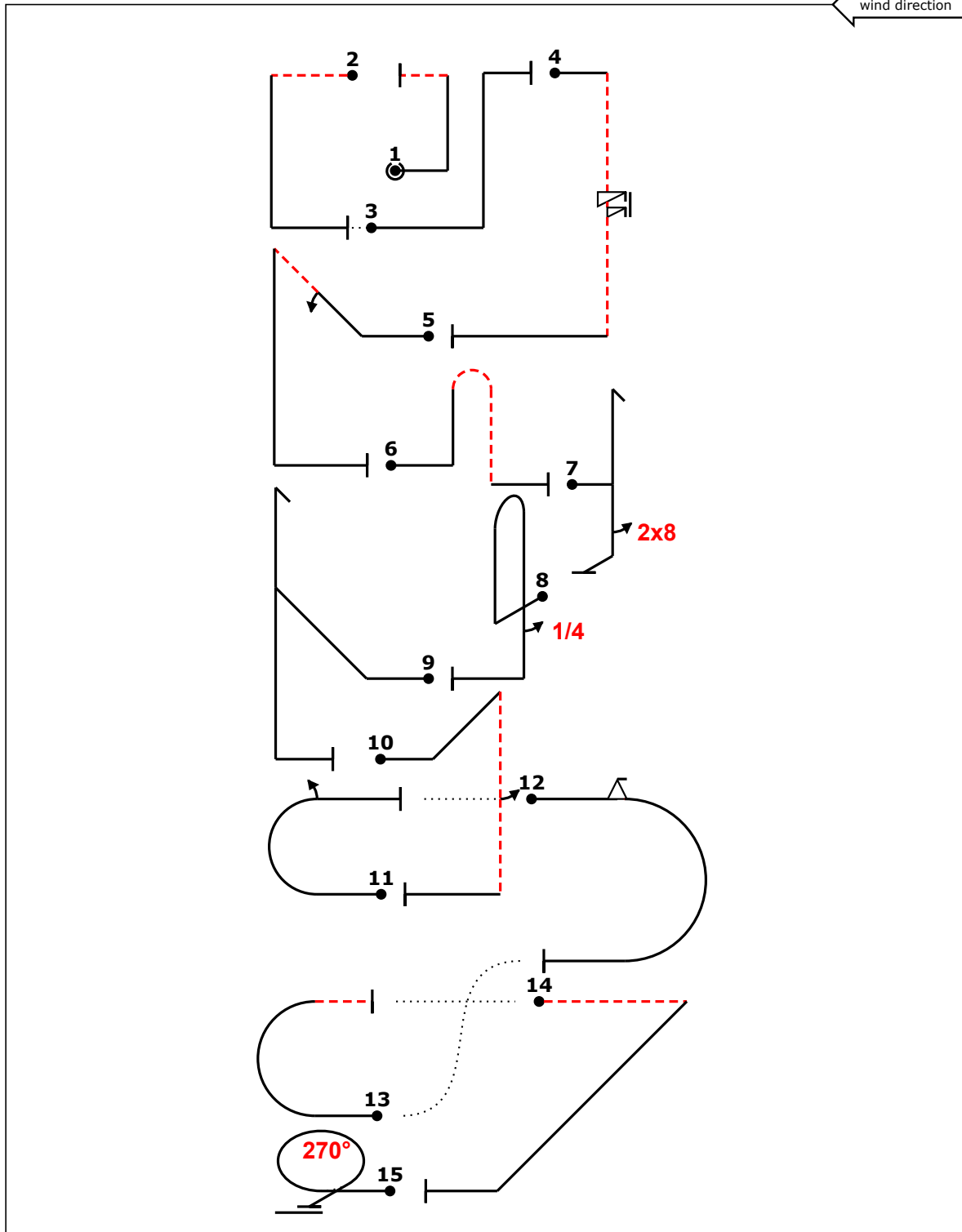


Jared Bachman
N8885 Pilot
A/C



B	Contest:	Category:
	Date:	Program:
	Free	

Pilot: Jared Bachman



A/C: Pitts S-1E

(signature/date)

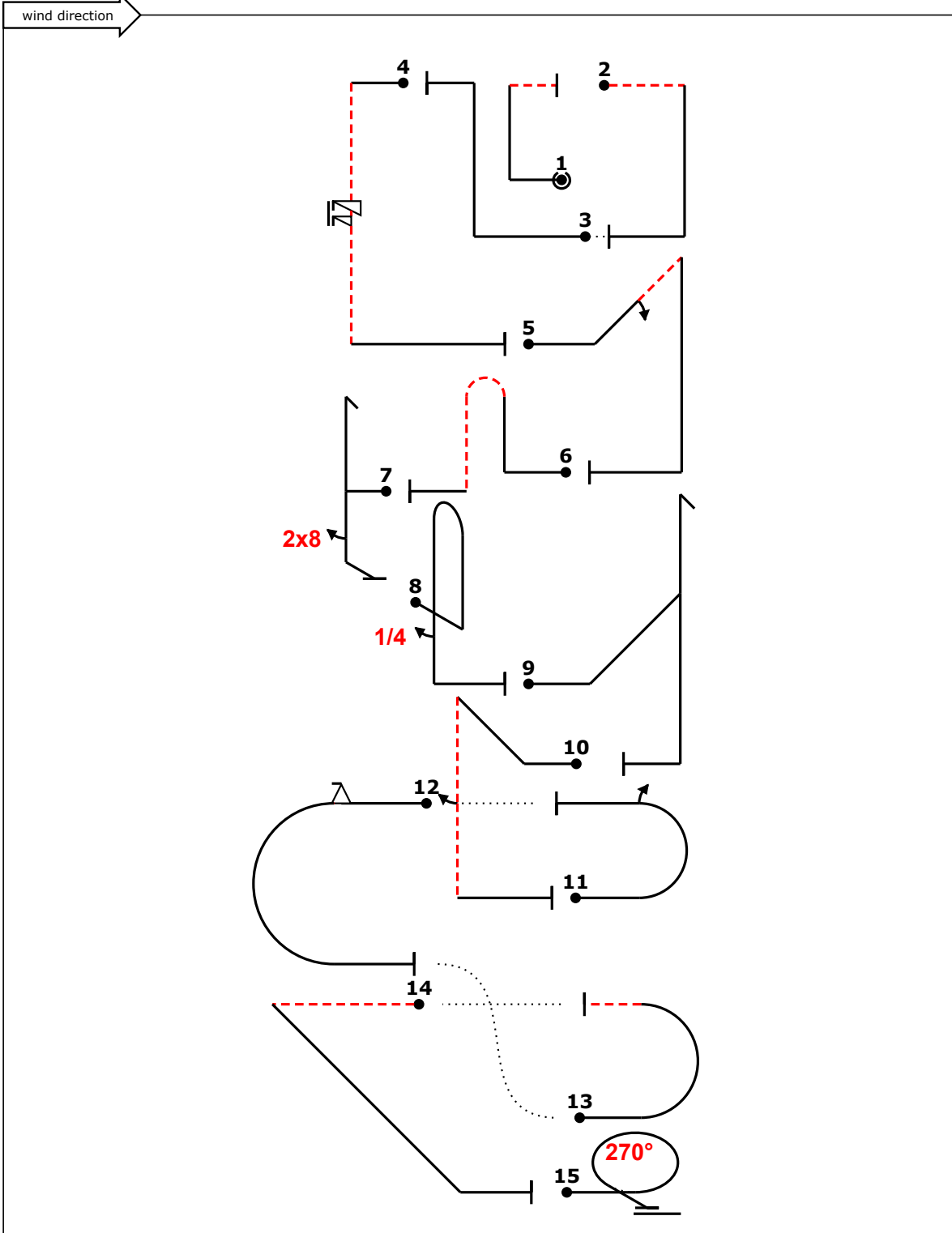
FREE PROGRAM CHECK BY:

v- (0,0) 6% -iv (-2,0) --+v.' iv..6s..+++ 3% 2t...-2% pb `+h8 2> b.'4 2% 'dh('.. 2> t.'2.'+- 'm2+ (7,0) 7% 2fa (-10,13)
2% m- [10,0] 5% ---iz..'+' -1% > 3j



C	Contest:	Category: Power Intermediate
	Date:	Program: Free
		Pilot's No.

Pilot: Jared Bachman



A/C: Pitts S-1E

(signature/date)

FREE PROGRAM CHECK BY:

v- (0,0) 6% -iv (-2,0) --+v.' iv..6s..+++ 3% 2t...-2% pb `+h8 2> b.'4 2% 'dh(').. 2> t.'2.'+- 'm2+ (7,0) 7% 2fa (-10,13)
2% m- [10,0] 5% ---iz..'+' -1% > 3j