

INTERNATIONAL AEROBATIC CLUB SCORESHEET

A

Contest:	Date:	Category: Glider Intermediate	Programme: Unknown	pilot's number	
----------	-------	-------------------------------------	-----------------------	-------------------	--

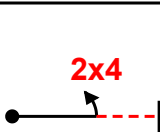
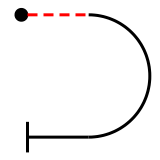
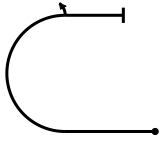
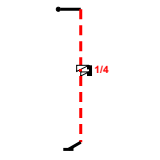
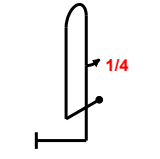
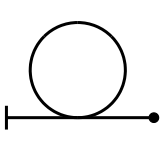
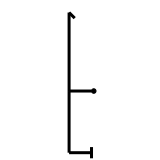
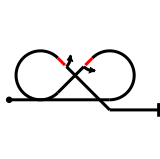
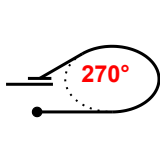
No	Symbol	Cat. No.	K	Total K	Grade	Remarks	Item	K	Score
1		1.1.1.3 9.4.3.2	2 8	10			Presentation	15	
2		7.2.1.4	6	6					
3		7.2.2.1 9.1.3.2	6 6	12					
4		1.1.6.3 9.11.1.5	10 6	16					
5		8.4.1.1 9.1.5.1	13 3	16					
6		7.4.1.1	10	10					
7		5.2.1.1	17	17					
8		7.8.4.1 9.1.4.2 9.1.4.2	19 6 6	31					
9		2.3.1.1	5	5					

FIGURE TOTAL K = 123

INC. PRESENTATION = 138

Aircraft type:

FREE PROGRAM CHECKED BY:

Signature:	Printed Name:	Date:
		IAC No:

Judge Name:

IAC #

Assistant Name:

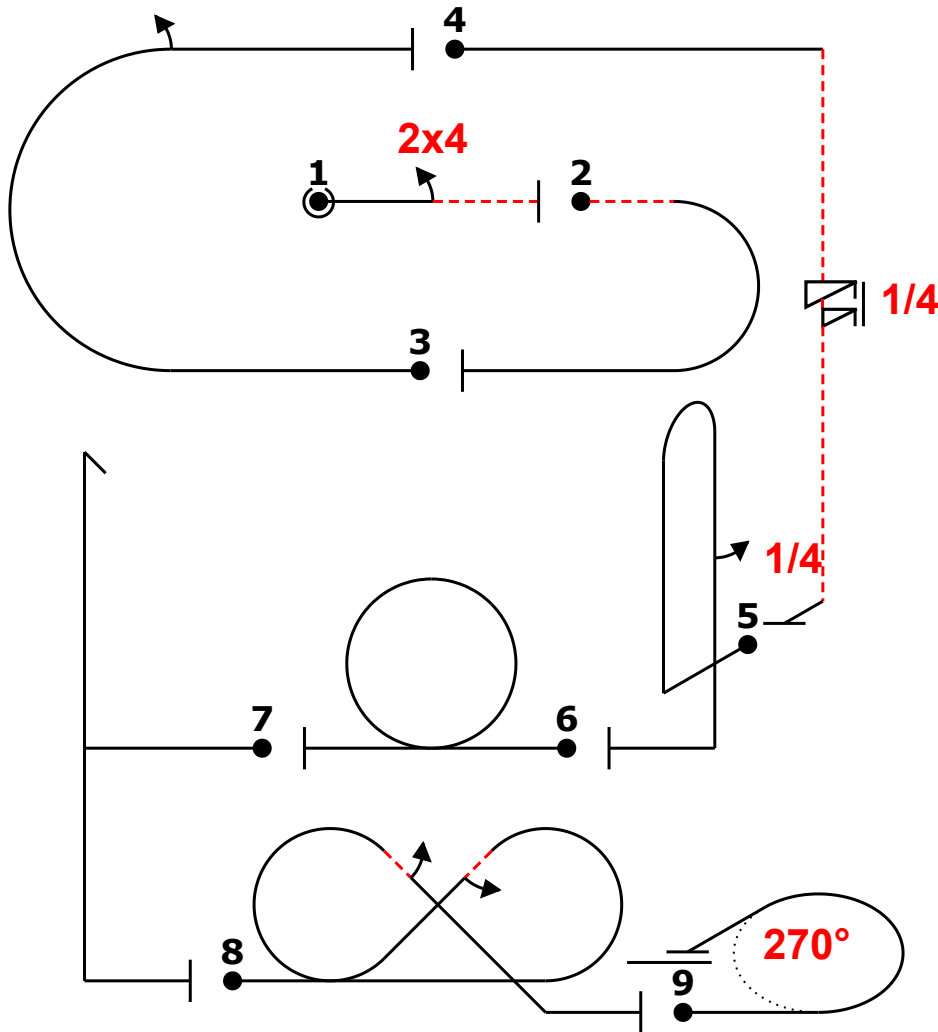
IAC #

_____ Pilot
 A/C

B	Contest:	Category: Glider Intermediate
	Date:	Program: Unknown
		Pilot's No.

Pilot:

wind direction



Glider			
Fig	Aresti	K	
1	1.1.1.3	2	10
	9.4.3.2	8	
2	7.2.1.4	6	6
3	7.2.2.1	6	12
	9.1.3.2	6	
4	1.1.6.3	10	16
	9.11.1.5	6	
5	8.4.1.1	13	16
	9.1.5.1	3	
6	7.4.1.1	10	10
7	5.2.1.1	17	17
8	7.8.4.1	19	31
	9.1.4.2	6	
	9.1.4.2	6	
9	2.3.1.1	5	5
Total K = 123		(max K = 130)	

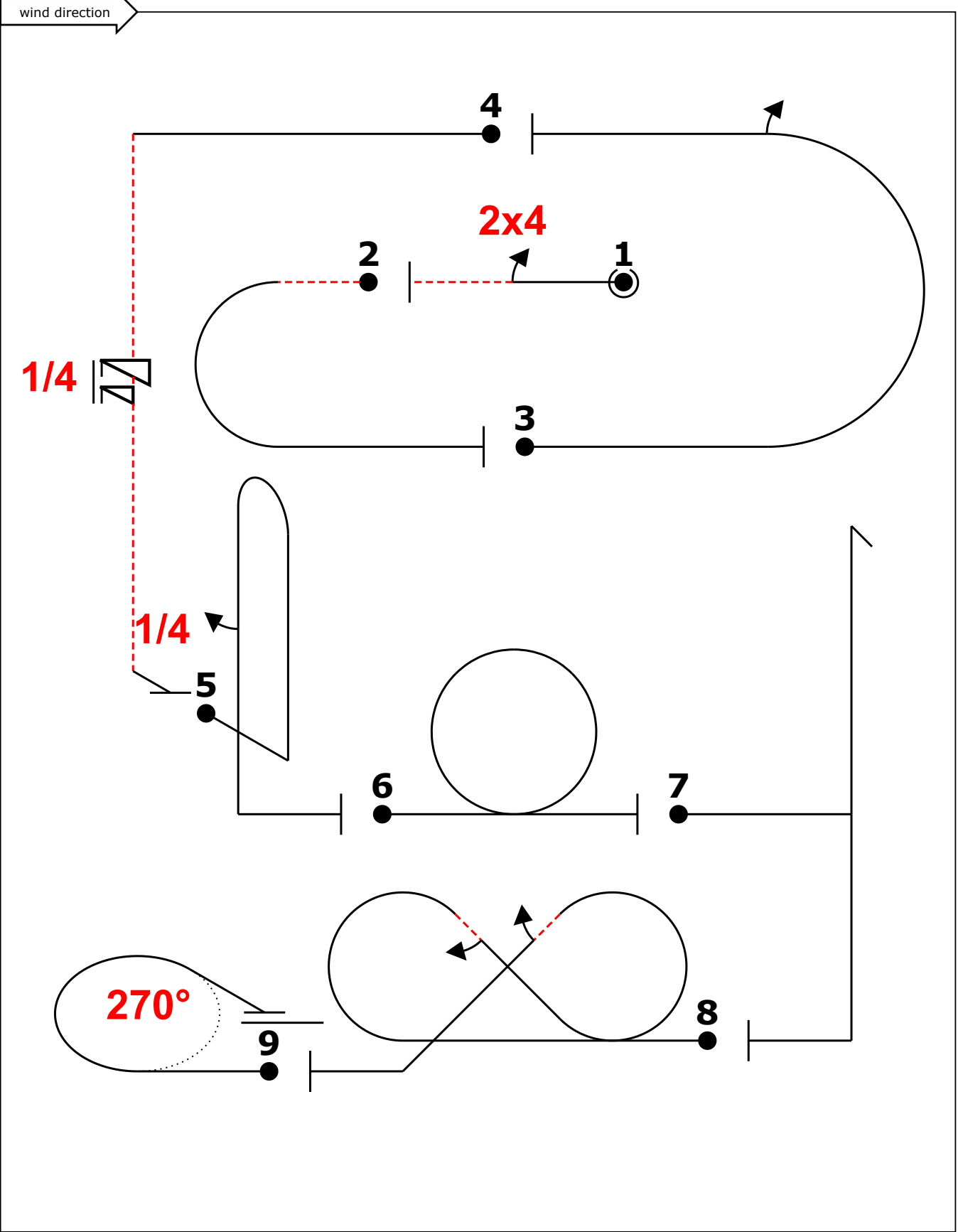
A/C:

(signature/date)

FREE PROGRAM CHECK BY:

C	Contest:	Category: Glider Intermediate
	Date:	Program: Unknown
		Pilot's No. <input style="border: 2px solid black; width: 50px; height: 20px;" type="text"/>

Pilot:



A/C:

(signature/date)

FREE PROGRAM CHECK BY:

wind direction

