

INTERNATIONAL AEROBATIC CLUB SCORESHEET - GLIDERS

A	Contest:	Date:	Category:	Program:	pilot's number	
	U.S. National Championships	2015	Intermediate Glider	Unknown		

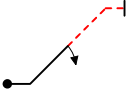
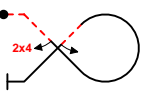
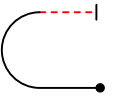
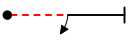
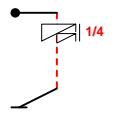
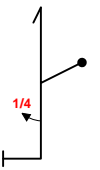
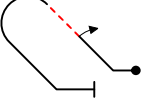
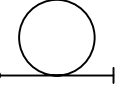

No	Symbol	Catalogue No.	K	Total K	Grade	Remarks	Item	K	Score
1		1.1.3.1 9.1.2.2	7 9	16			Presentation	15	
2		7.3.4.4 9.4.4.2 9.1.4.2	15 8 6	29					
3		7.2.1.1	6	6					
4		1.1.1.4 9.1.3.2	2 6	8					
5		1.1.6.3 9.11.1.5	10 6	16					
6		5.2.1.1 9.1.5.1	17 3	20					
7		8.4.15.1 9.1.2.2	12 9	21					
8		7.4.1.1	10	10					
9		2.2.1.1	4	4					

FIGURE TOTAL K = 130

INCLUDING PRESENTATION = 145

Aircraft Type:

FREE PROGRAM CHECKED BY:

Signature:	Printed Name:	Date:
		IAC No.

Judge Name:

IAC#

Assistant Name:

IAC#



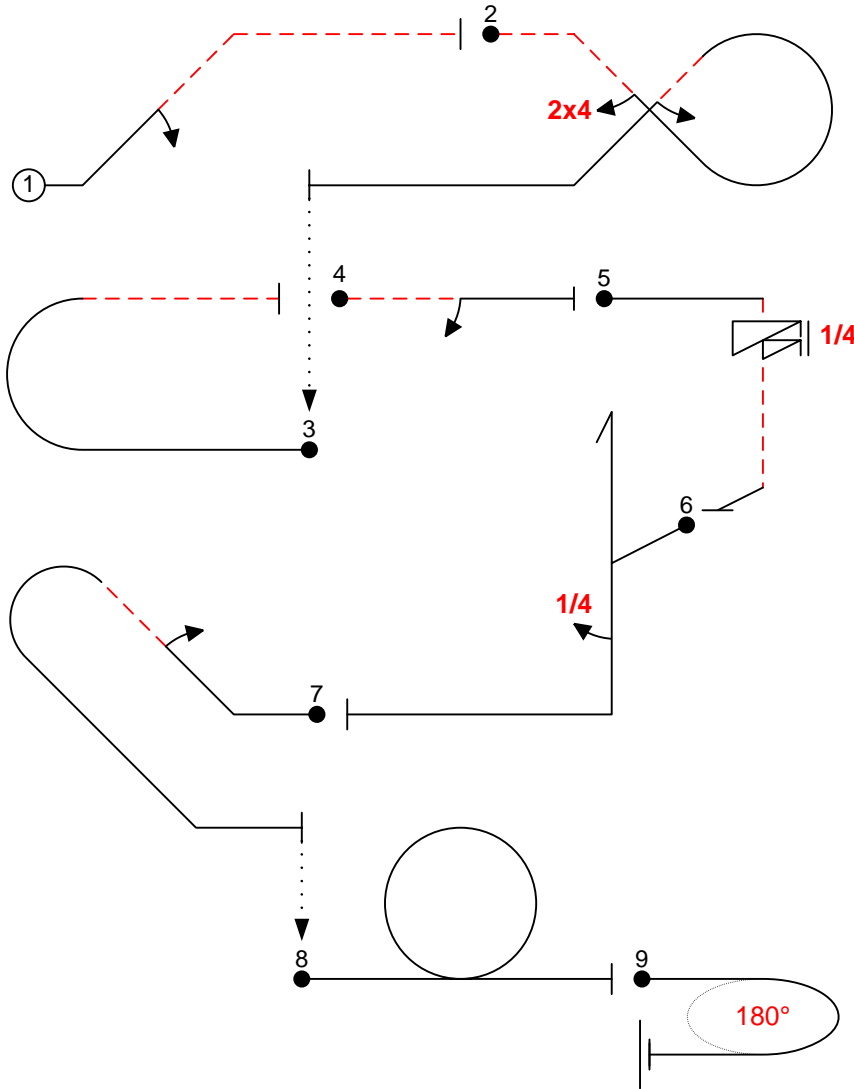
Pilot IAC



B	Contest: U.S. National Championships	Category: Intermediate Glider
	Date: 2015	Program: Unknown

wind direction

pilot
NAC



A/C:

(signature/date)

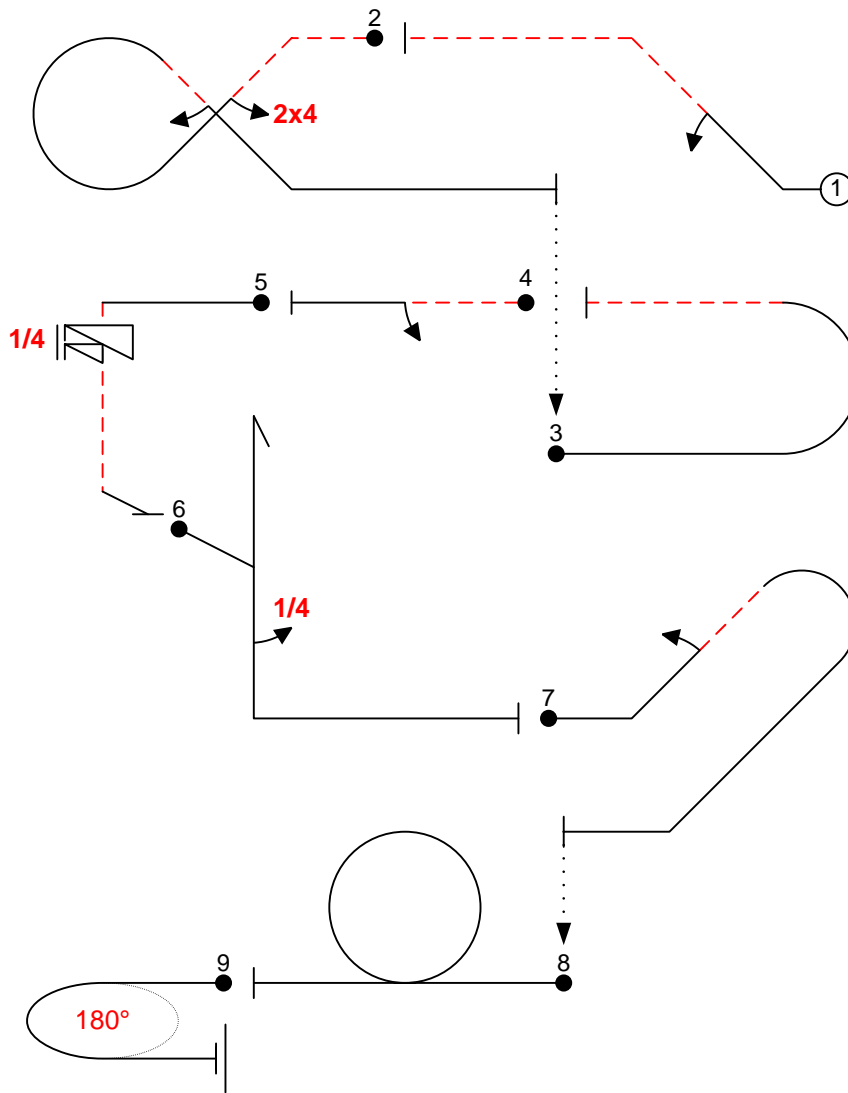
GLIDER FREE PROGRAM CHECK BY:



C	Contest: U.S. National Championships	Category: Intermediate Glider
	Date: 2015	Program: Unknown

pilot
NAC

wind direction



A/C:

(signature/date)

GLIDER FREE PROGRAM CHECK BY: