

INTERNATIONAL AEROBATIC CLUB SCORESHEET - GLIDERS

A	Contest:	Date:	Category: Intermediate Glider	Program: Unknown	pilot's number	

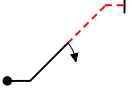
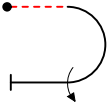
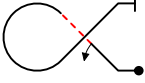
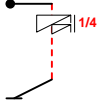
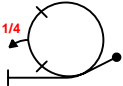
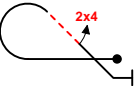
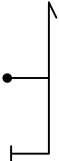

No	Symbol	Catalogue No.	K	Total K	Grade	Remarks	Item	K	Score
1		1.1.3.1 9.1.2.2	7 9	16			Presentation	15	
2		7.2.1.4 9.1.3.4	6 12	18					
3		7.3.2.1 9.1.2.2	14 9	23					
4		1.1.6.3 9.11.1.5	10 6	16					
5		0.1	16	16					
6		8.5.6.1 9.4.4.2	10 8	18					
7		5.2.1.1	17	17					
8		2.4.1.1	6	6					

FIGURE TOTAL K = 130

INCLUDING PRESENTATION = 145

Glider Type:

FREE PROGRAM CHECKED BY:

Signature:	Printed Name:	Date:
		IAC No.

Judge Name:

IAC#

Assistant Name:

IAC#



Pilot IAC

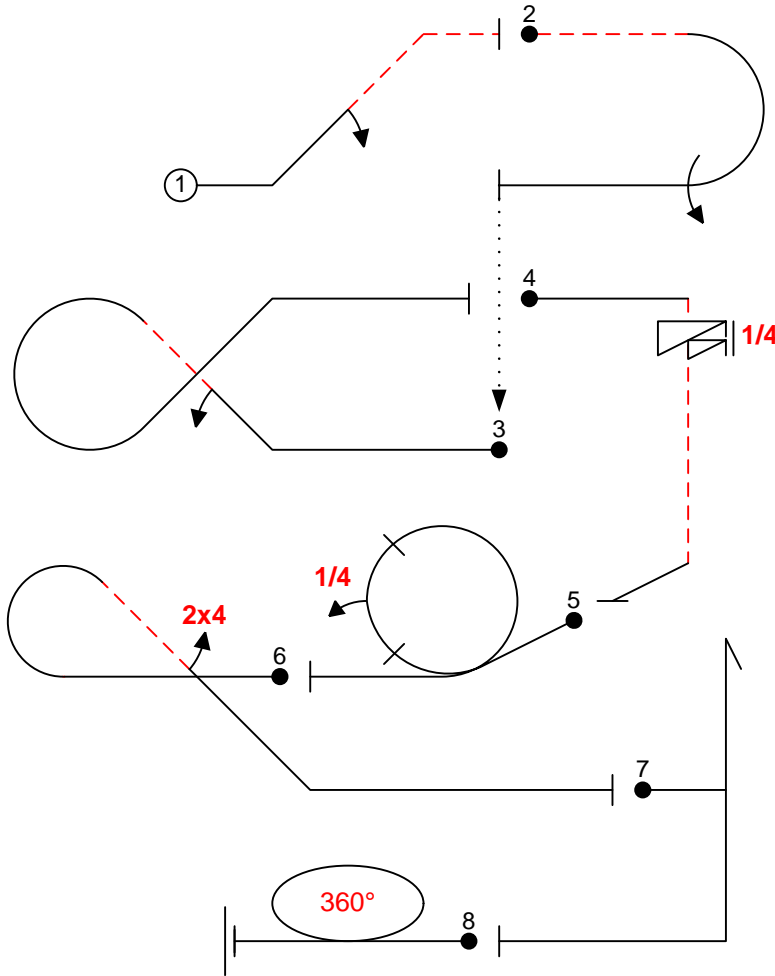


B	Contest:	Category: Intermediate Glider	
	Date:	Program: Unknown	Pilot's No. <input type="text"/>

wind direction

pilot

NAC



Glider

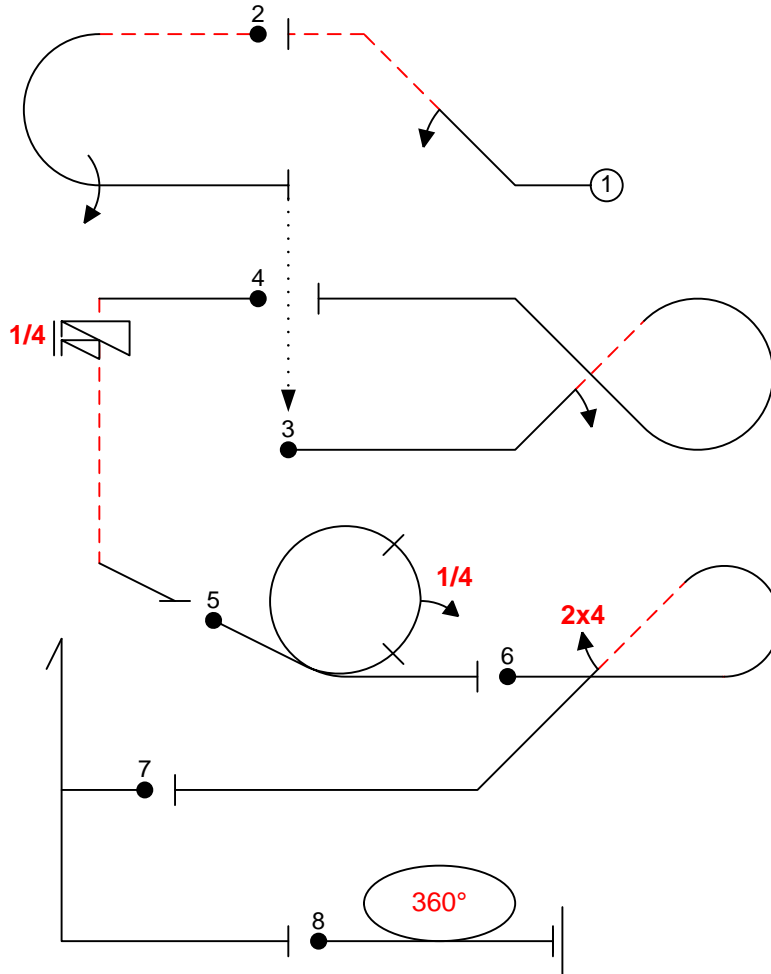
GLIDER FREE PROGRAM CHECK BY: (signature/date)



C	Contest:	Category: Intermediate Glider	
	Date:	Program: Unknown	Pilot's No. <input type="text"/>

pilot
NAC

wind direction



Glider

(signature/date)

GLIDER FREE PROGRAM CHECK BY: