

INTERNATIONAL AEROBATIC CLUB SCORESHEET - GLIDERS

A	Contest:	Date:	Category: Glider Intermediate	Programme: Unknown	pilot's number	

No	Symbol	Catalogue No.	K	Total K	Score	Remarks	Item	K	Score				
1		5.1.1	17	17			Presentation	15					
2		7.1.1	6	6			FIGURE TOTAL K =		130				
3		1.3.4 9.1.4.2	7 6	13			INCLUDING PRESENTATION =		145				
4		7.20.1 9.1.2.2	14 9	23			Aircraft Type:						
5		7.21.3 9.4.4.2	14 8	22			<p style="text-align: center;">FREE PROGRAM CHECKED BY:</p> <table border="1" style="width: 100%;"> <tr> <td style="width: 80%; height: 100px; vertical-align: bottom;">Signature:</td> <td style="width: 20%; height: 100px; vertical-align: bottom;">Date:</td> </tr> <tr> <td style="width: 80%; height: 100px; vertical-align: bottom;">IAC No.</td> <td style="width: 20%; height: 100px; vertical-align: bottom;"></td> </tr> </table>	Signature:	Date:	IAC No.			
Signature:	Date:												
IAC No.													
6		2.2.1	4	4				<table border="1" style="width: 100%;"> <tr> <td style="text-align: center;">Judge</td> </tr> <tr> <td>Name</td> </tr> <tr> <td>Number</td> </tr> </table>			Judge	Name	Number
Judge													
Name													
Number													
7		8.42.1 9.1.4.2	10 6	16									
8		8.3.1	15	15									
9		1.1.1 9.1.3.4	2 12	14									



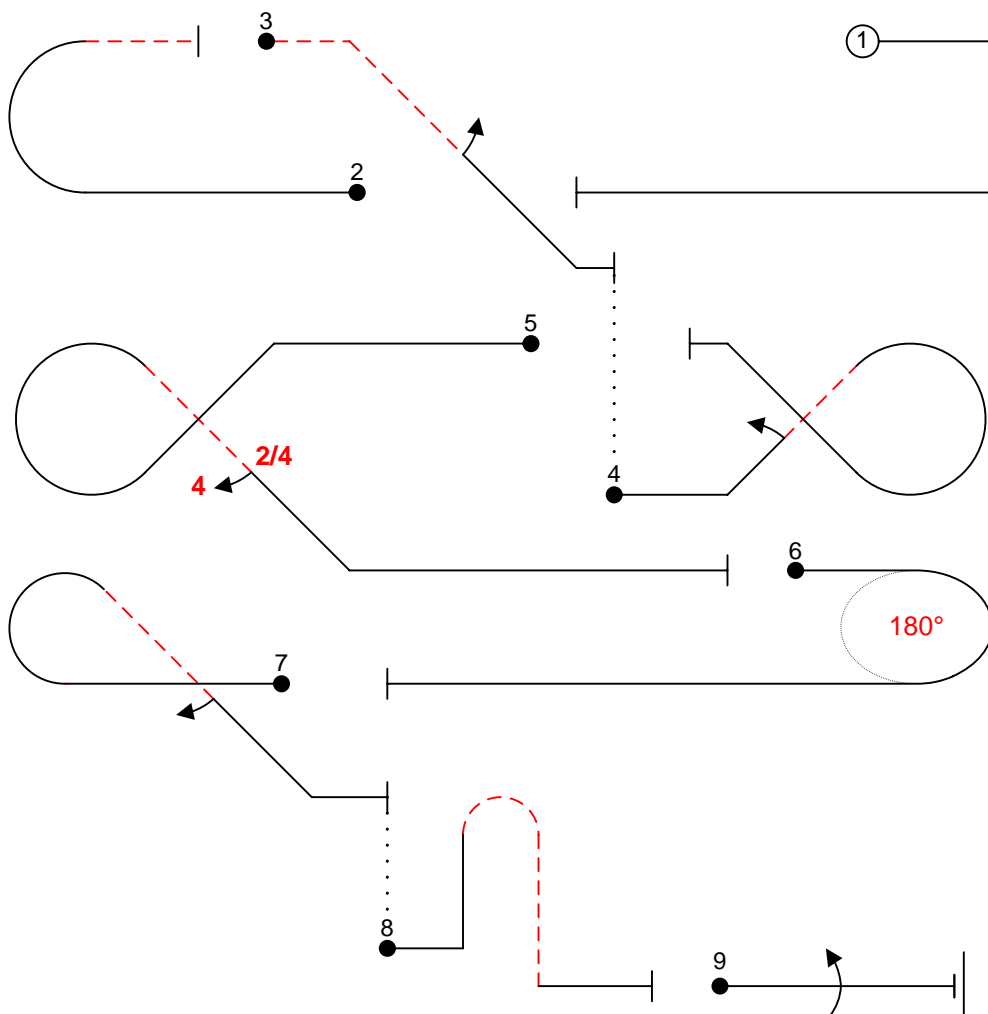
pilot



B	Contest:	Category: Glider Intermediate	
	Date:	Program: Unknown	Pilot's No. <input type="text"/>

wind direction

Pilot:



A/C:

GLIDER FREE PROGRAM CHECK BY: (signature/date)

