

INTERNATIONAL AEROBATIC CLUB SCORESHEET - GLIDERS

A	Contest:				Date:	Category:	Programme:	pilot's number				
						<b>Glider Intermediate</b>	<b>Unknown</b>					
No	Symbol	Catalogue No.	K	Total K	Score	Remarks	Item	K	Score			
1		1.6.3 9.11.1.4	10 5	<b>15</b>			<b>Positioning</b>	<b>15</b>				
2		5.1.1	17	<b>17</b>				FIGURE TOTAL K =	<b>109</b>			
3		1.1.1 9.2.3.4	2 14	<b>16</b>				INCLUDING POSITIONING =	<b>124</b>			
4		8.1.1 9.1.5.1	13 3	<b>16</b>				Aircraft Type:				
5		2.2.3	3	<b>3</b>				FREE PROGRAM CHECKED BY:	Signature:	Date:		
6		1.1.1 9.1.3.4	2 12	<b>14</b>							IAC No.	
7		8.42.1 9.1.4.2	10 6	<b>16</b>								
8		7.2.1 9.1.3.2	6 6	<b>12</b>								
9												Judge
10												Name
11								Number				
12												



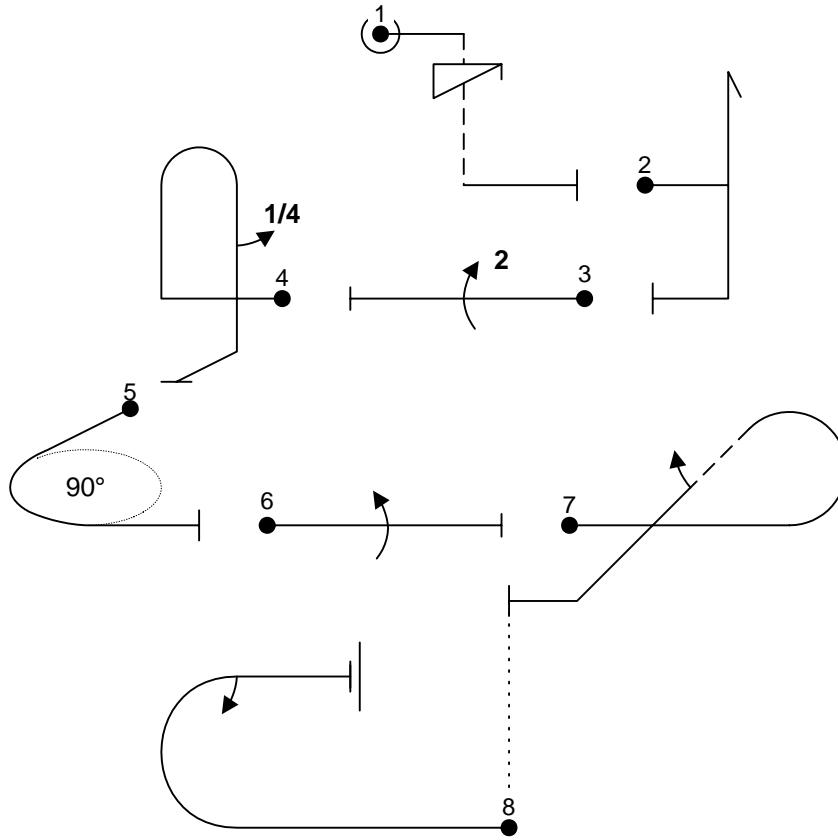
pilot



<b>B</b>	Contest:	Category: <b>Glider Intermediate</b>
Date:	Program: <b>Unknown</b>	Pilot's No. <input type="text"/>

wind direction

Pilot:



A/C:

(signature/date)

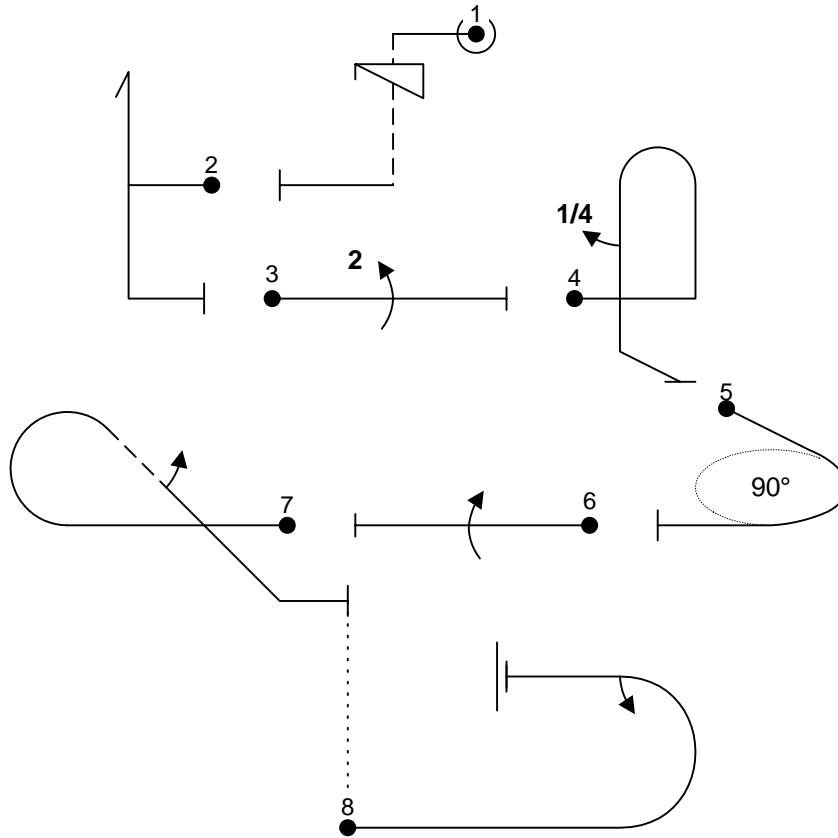
GLIDER FREE PROGRAM CHECK BY:



<b>C</b>	Contest:	Category: <b>Glider Intermediate</b>	
Date:	Program: <b>Unknown</b>	Pilot's No.	

Pilot:

wind direction



A/C:

(signature/date)

GLIDER FREE PROGRAM CHECK BY: