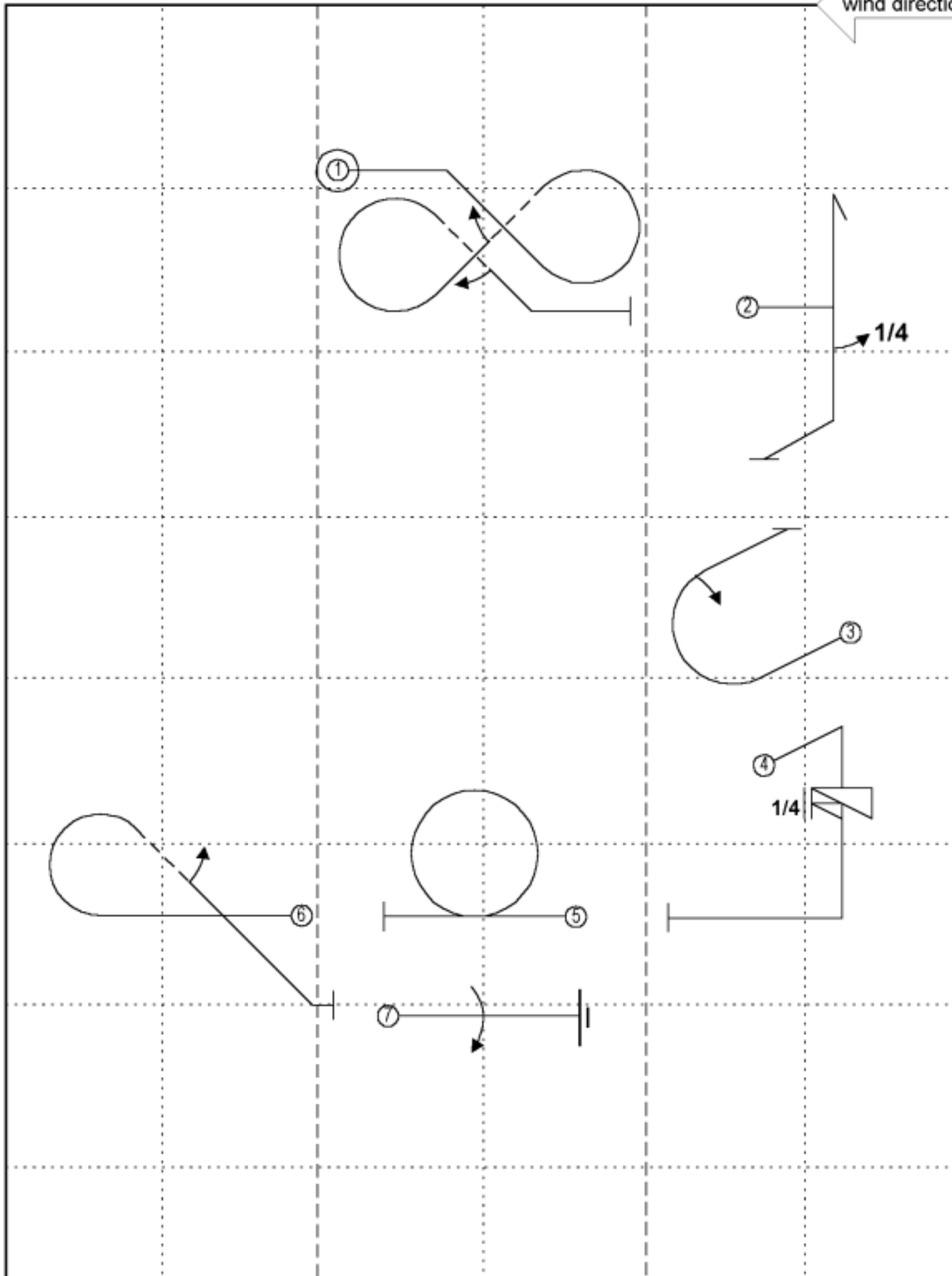




B	CATEGORY: Intermediate Glider
1998 Known	pilot's number <input type="text"/>

wind direction

pilot's name
(print)



LEFT

CENTER

RIGHT