


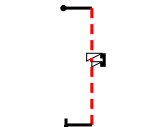
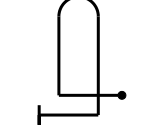
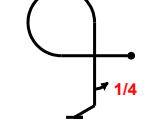
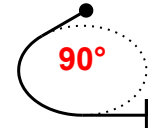
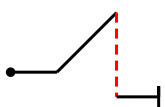
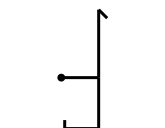
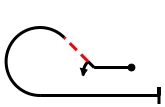
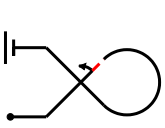


INTERNATIONAL AEROBATIC CLUB SCORESHEET

A

Contest: US Nationals	Date: 9/24/2023	Category: Glider Intermediate	Programme: Free	pilot's number <div style="border: 2px solid black; width: 40px; height: 40px; margin: 0 auto;"></div>
---------------------------------	---------------------------	---	---------------------------	---

No	Symbol	Cat. No.	K	Total K	Grade	Remarks	Item	K	Score						
1		1.1.1.1 9.1.3.4	2 12	14			<div style="border: 2px solid black; padding: 5px; margin-bottom: 5px;">Presentation</div> <div style="border: 1px solid black; padding: 5px; margin-bottom: 5px;">FIGURE TOTAL K = 140</div> <div style="border: 1px solid black; padding: 5px; margin-bottom: 5px;">INC. PRESENTATION = 155</div> <div style="border: 1px solid black; padding: 5px; margin-bottom: 5px;">Aircraft type: DG-1001</div> <div style="border: 1px solid black; padding: 5px; margin-bottom: 5px;"> <table style="width: 100%; border-collapse: collapse;"> <tr> <td style="width: 33%; border-right: 1px solid black; height: 100px; vertical-align: bottom;">FREE PROGRAM CHECKED BY: Signature:</td> <td style="width: 33%; border-right: 1px solid black; height: 100px; vertical-align: bottom;">Printed Name:</td> <td style="width: 33%; height: 100px; vertical-align: bottom;">Date:</td> </tr> <tr> <td style="border-right: 1px solid black;">IAC No:</td> <td colspan="2"></td> </tr> </table> </div> <div style="border: 1px solid black; padding: 5px; margin-bottom: 5px;">Judge Name:</div> <div style="border: 1px solid black; padding: 5px; margin-bottom: 5px;">IAC #</div> <div style="border: 1px solid black; padding: 5px; margin-bottom: 5px;">Assistant Name:</div> <div style="border: 1px solid black; padding: 5px;">IAC #</div> <div style="text-align: center; margin-top: 20px;">  </div> <div style="text-align: right; margin-top: 20px;"> <i>N501DG</i> Pilot A/C </div>	FREE PROGRAM CHECKED BY: Signature:	Printed Name:	Date:	IAC No:				
FREE PROGRAM CHECKED BY: Signature:	Printed Name:	Date:													
IAC No:															
2		1.1.2.1	7	7											
3		1.1.6.3 9.11.1.6	10 7	17											
4		8.4.1.1	13	13											
5		8.6.5.1 9.1.5.1	11 3	14											
6		2.1.1.1	3	3											
7		1.2.1.1	13	13											
8		5.2.1.1	17	17											
9		8.5.2.1 9.1.2.2	10 9	19											
10		7.3.2.1 9.1.2.2	14 9	23											



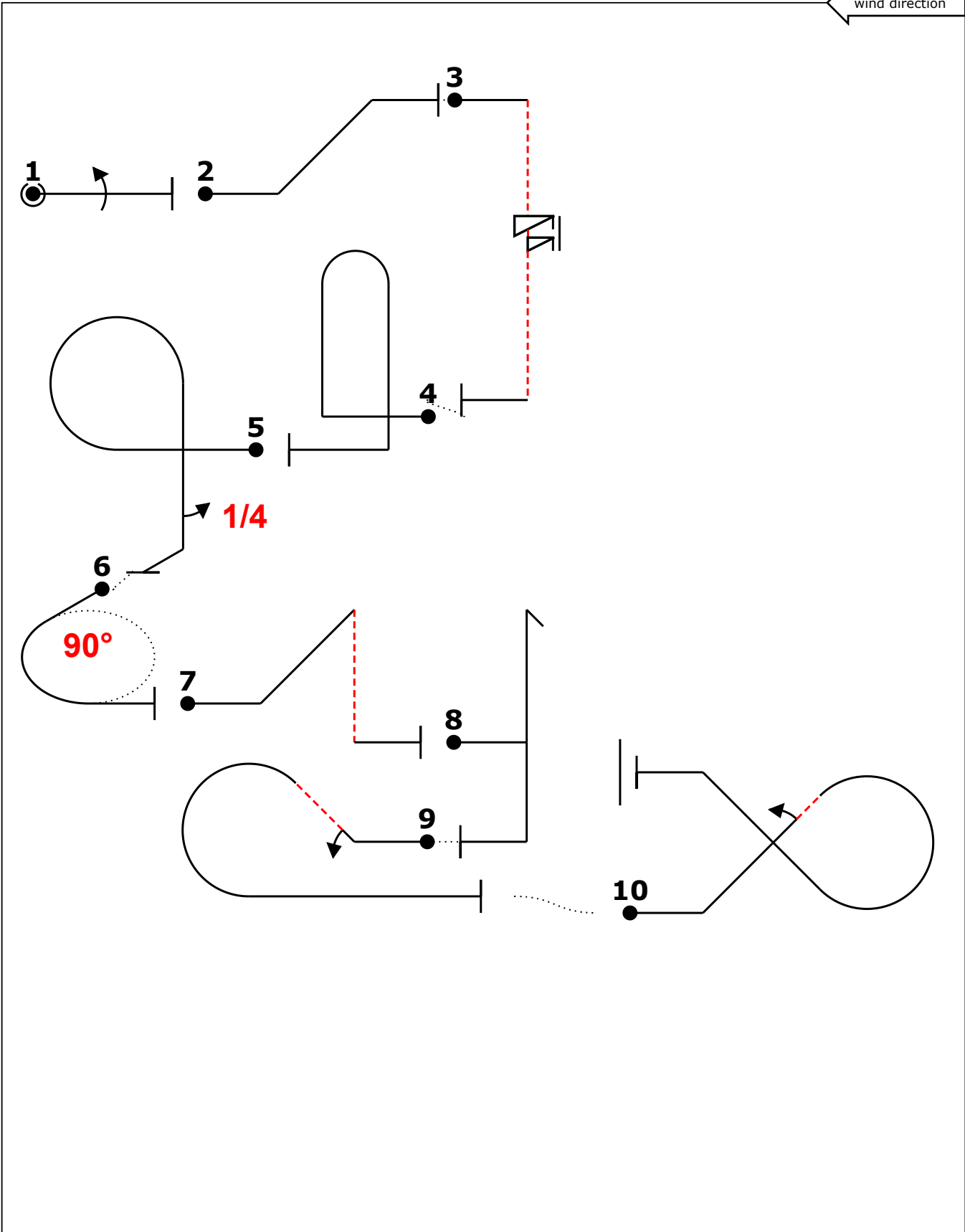
N501DG
 Pilot
 A/C



B	Contest:	US Nationals	Category:	Glider Intermediate
	Date:	9/24/2023	Program:	Free
			Pilot's No.	<input type="text"/>

Pilot:

wind direction



A/C: DG-1001

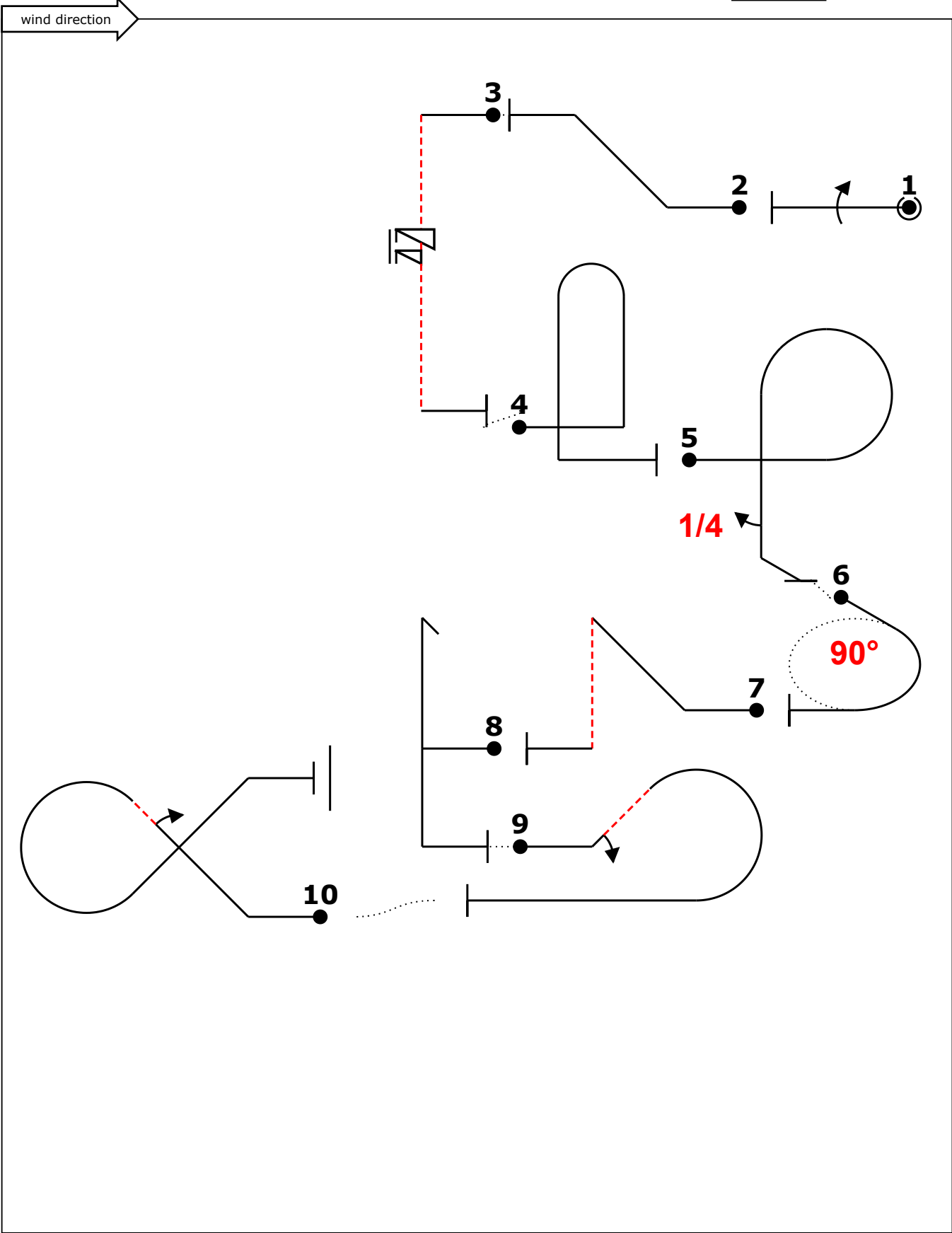
(signature/date)

FREE PROGRAM CHECK BY:



C	Contest:	US Nationals	Category:	Glider Intermediate
	Date:	9/24/2023	Program:	Free
			Pilot's No.:	<input type="text"/>

Pilot:



A/C: DG-1001

(signature/date)

FREE PROGRAM CHECK BY: