
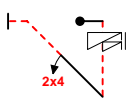
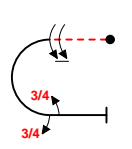
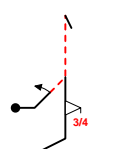
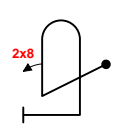
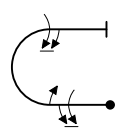
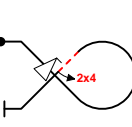
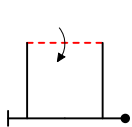
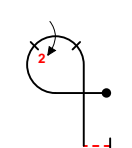
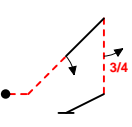


INTERNATIONAL AEROBATIC CLUB SCORESHEET

<b>A</b>	Contest:	Date:	Category: <b>Advanced</b>	Programme: <b>Unknown</b>	pilot's number	

No	Symbol	Catalogue No.	K	Total K	Grade	Remarks
1		<b>2.3.4.1</b>	<b>30</b>	<b>30</b>		
2		<b>1.2.8.3</b> <b>9.11.1.6</b> <b>9.4.2.2</b>	<b>15</b> <b>3</b> <b>7</b>	<b>25</b>		
3		<b>7.2.1.4</b> <b>9.1.3.8</b> <b>9.1.3.3</b> <b>9.1.3.3</b>	<b>6</b> <b>12</b> <b>6</b> <b>6</b>	<b>30</b>		
4		<b>5.3.2.1</b> <b>9.1.2.2</b> <b>9.9.5.3</b>	<b>24</b> <b>6</b> <b>11</b>	<b>41</b>		
5		<b>8.4.1.1</b> <b>9.8.1.1</b>	<b>13</b> <b>7</b>	<b>20</b>		
6		<b>7.2.2.1</b> <b>9.1.3.6</b> <b>9.1.3.2</b> <b>9.1.3.6</b>	<b>6</b> <b>10</b> <b>4</b> <b>10</b>	<b>30</b>		
7		<b>7.3.3.3</b> <b>9.9.4.4</b> <b>9.4.4.2</b>	<b>14</b> <b>11</b> <b>5</b>	<b>30</b>		
8		<b>7.4.3.1</b> <b>9.1.3.4</b>	<b>14</b> <b>8</b>	<b>22</b>		
9		<b>8.6.6.1</b> <b>9.2.3.4</b>	<b>12</b> <b>9</b>	<b>21</b>		
10		<b>1.2.4.2</b> <b>9.1.2.2</b> <b>9.1.5.3</b>	<b>14</b> <b>6</b> <b>6</b>	<b>26</b>		

<b>Presentation</b>	<b>12</b>	
---------------------	-----------	--

FIGURE TOTAL K = **275**

INCLUDING PRESENTATION = **287**

Aircraft Type:

FREE PROGRAM CHECKED BY:

Signature:	Printed Name:	IAC No.:	Date:
------------	---------------	----------	-------

Judge Name:

IAC#

Assistant Name:

IAC#



Pilot NAC

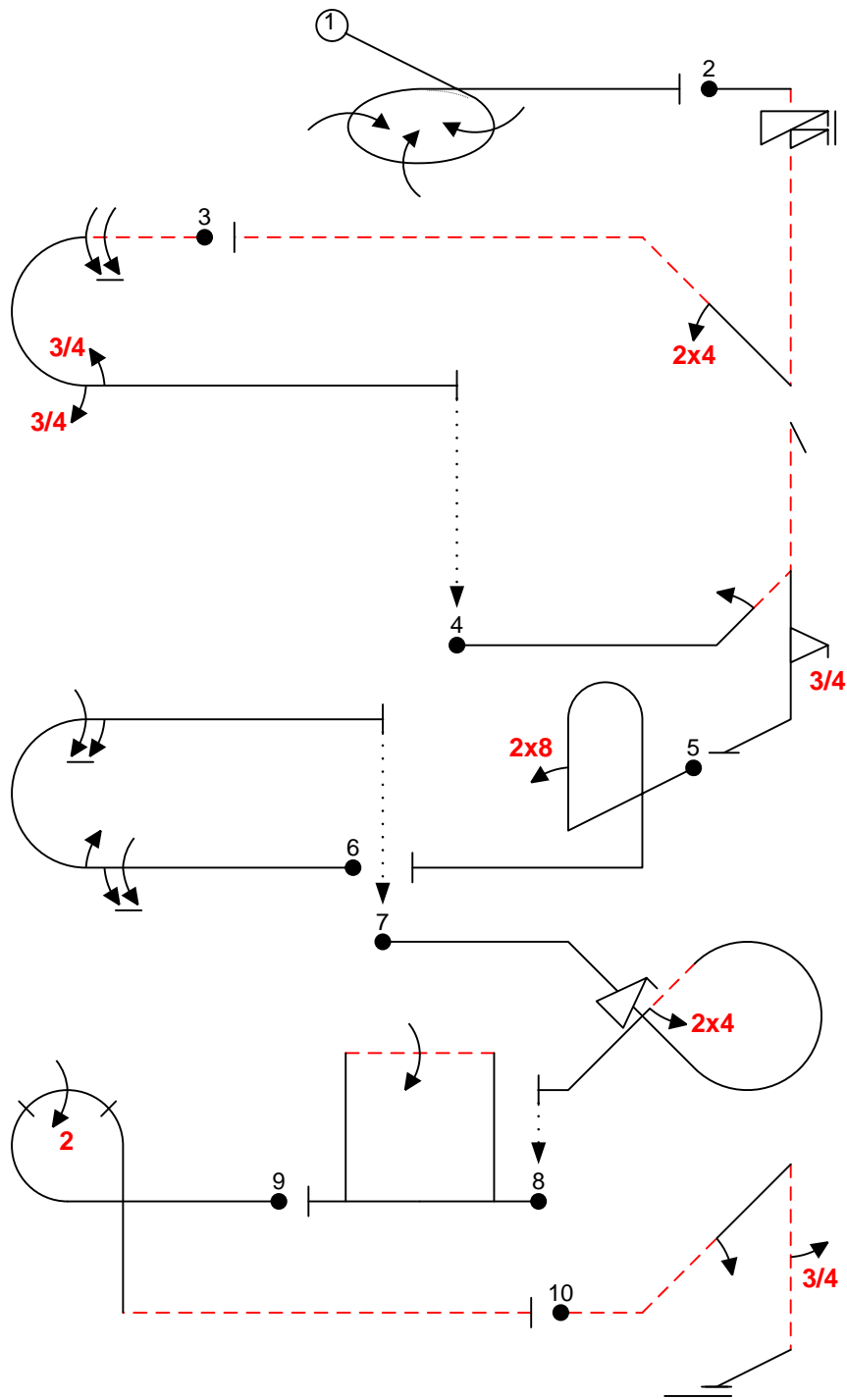


<b>B</b>	Contest:	Category: <b>Advanced</b>	
	Date:	Program: <b>Unknown</b>	Pilot's No. <input type="text"/>

wind direction

Pilot  
NAC

NOTE CROSSBOX ENTRY



A/C: \_\_\_\_\_  
FREE PROGRAM CHECK BY: (signature/date)

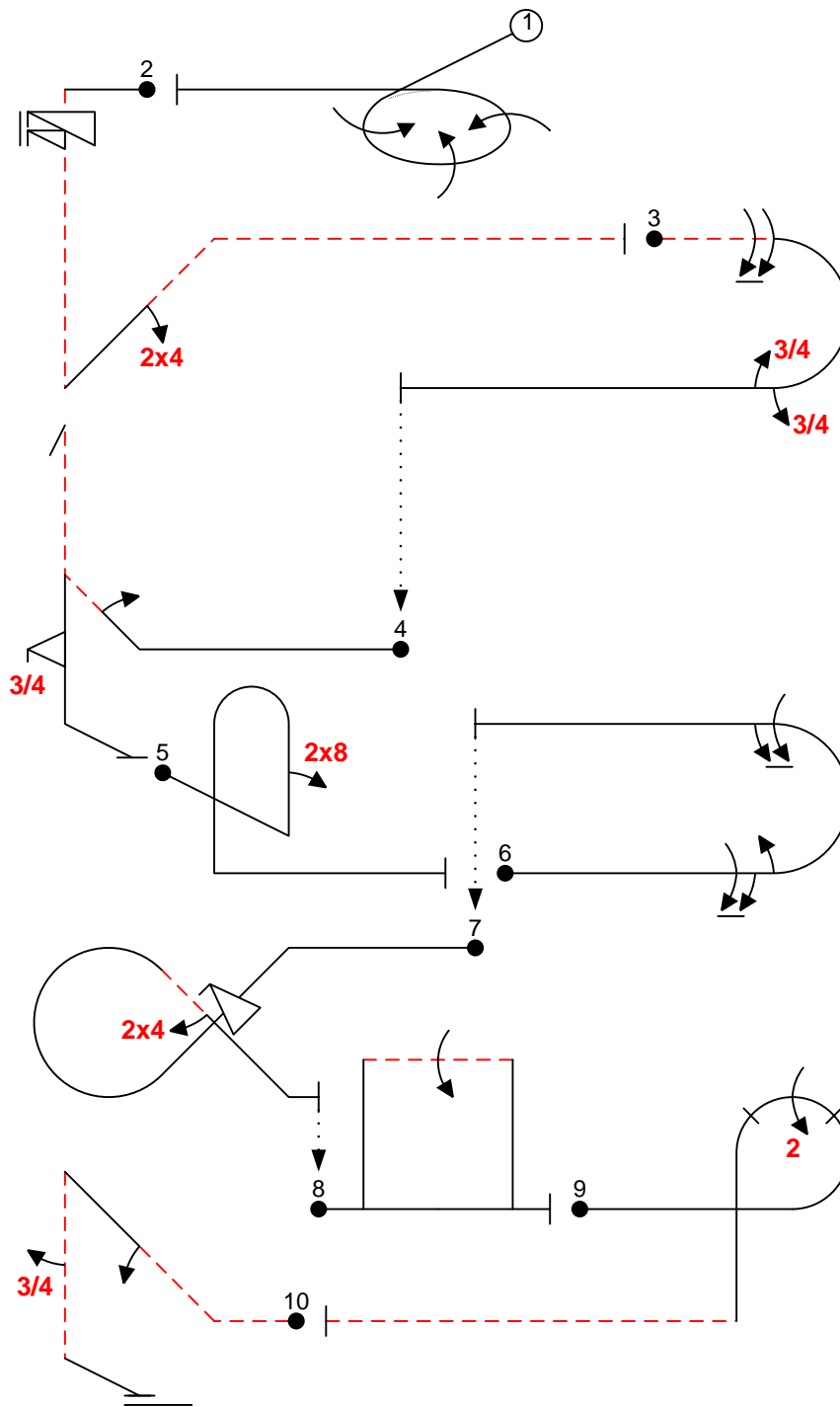


<b>C</b>	Contest:	Category: <b>Advanced</b>	
	Date:	Program: <b>Unknown</b>	Pilot's No. <input type="text"/>

pilot  
NAC

wind direction

NOTE CROSSBOX ENTRY



Created Using Aresti 2013™ software. ACCassidy@aol.com

A/C:

(signature/date)

FREE PROGRAM CHECK BY: