

INTERNATIONAL AEROBATIC CLUB SCORESHEET

**A**

Contest:	Date:	Category: <b>Advanced</b>	Programme: <b>Unknown</b>	pilot's number	
----------	-------	------------------------------	------------------------------	----------------	--

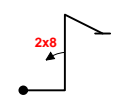
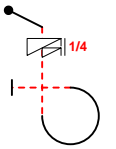

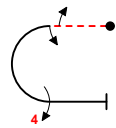
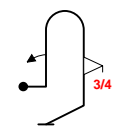
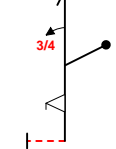
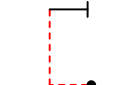
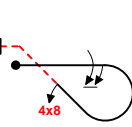
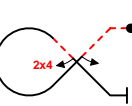
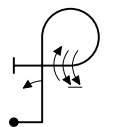
No	Symbol	Catalogue No.	K	Total K	Grade	Remarks	Item	K	Score
1		1.1.6.1 9.8.1.1	10 7	17			<b>Presentation</b>	<b>12</b>	
2		8.6.3.3 9.11.1.5	13 4	17					
3		2.4.5.2	40	40					
4		7.2.1.4 9.1.3.2 9.1.3.2 9.4.3.4	6 4 4 11	25					
5		8.4.1.1 9.1.1.2 9.9.5.3	13 8 11	32					
6		5.2.1.3 9.1.1.3 9.9.5.2	18 10 11	39					
7		1.1.7.2	12	12					
8		8.5.8.3 9.8.2.2 9.1.3.6	11 9 10	30					
9		7.3.4.4 9.1.4.2 9.4.4.2	15 4 5	24					
10		8.6.1.1 9.1.1.2 9.1.3.8 9.1.3.4	11 8 12 8	39					

FIGURE TOTAL K = **275**

INCLUDING PRESENTATION = **287**

Aircraft Type:

FREE PROGRAM CHECKED BY:

Signature:	Printed Name:	Date:
		IAC No.

Judge Name:

IAC#

Assistant Name:

IAC#



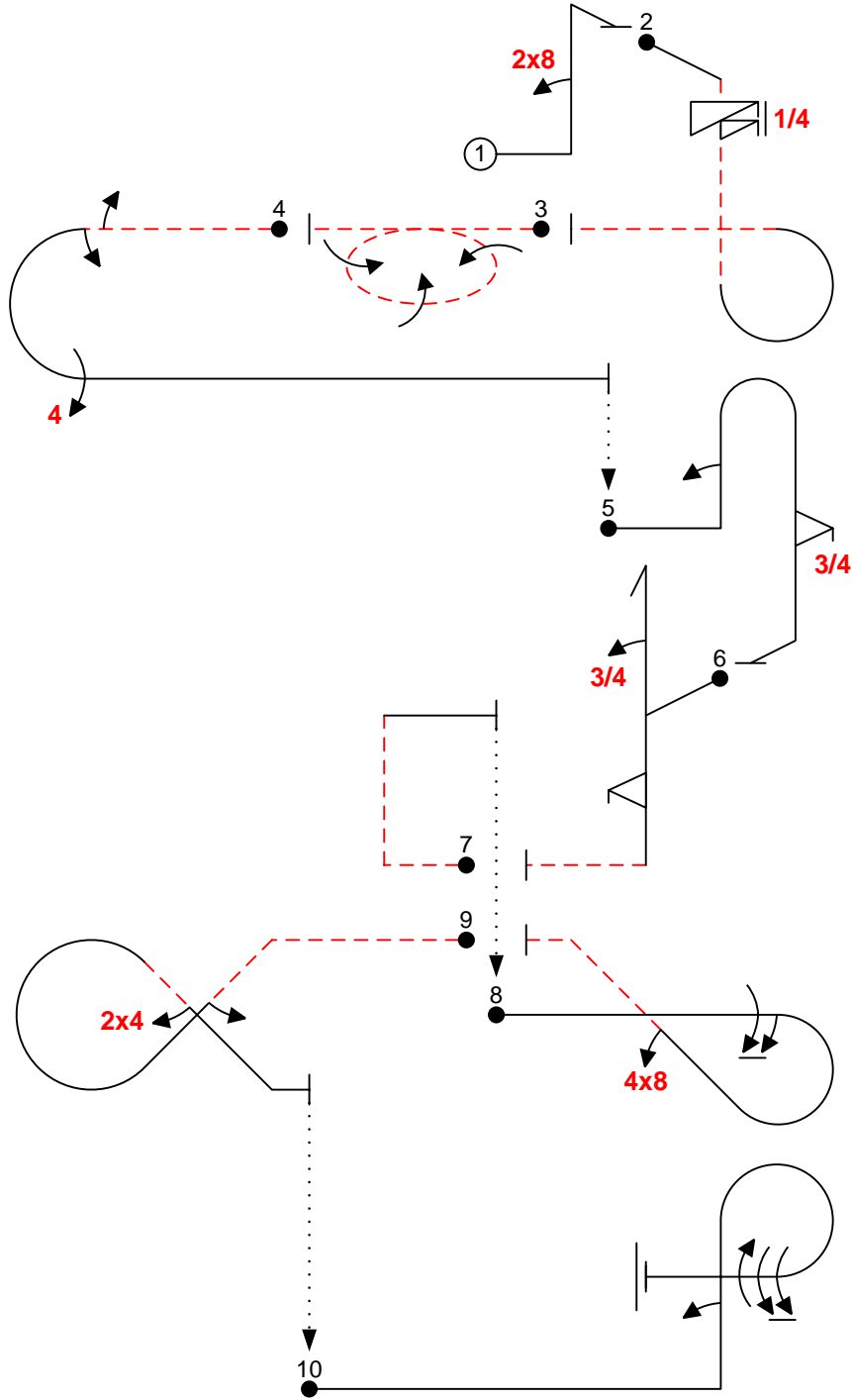
Pilot NAC



<b>B</b>	Contest:	Category: <b>Advanced</b>	
	Date:	Program: <b>Unknown</b>	Pilot's No. <input type="text"/>

wind direction

Pilot  
NAC



A/C:

(signature/date)

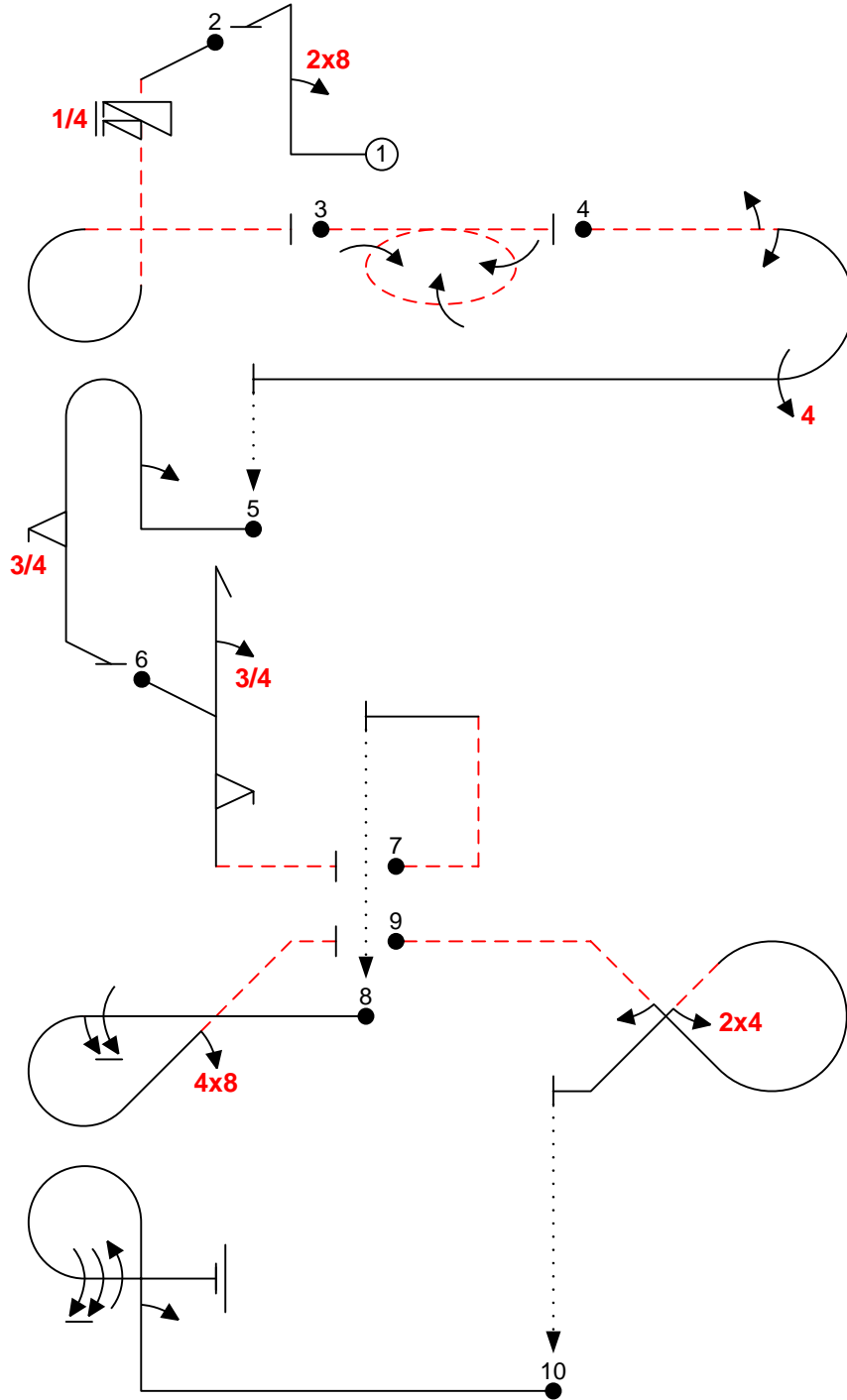
FREE PROGRAM CHECK BY:



<b>C</b>	Contest:	Category: <b>Advanced</b>	
	Date:	Program: <b>Unknown</b>	Pilot's No. <input type="text"/>

pilot  
NAC

wind direction



A/C:

(signature/date)

FREE PROGRAM CHECK BY: