

INTERNATIONAL AEROBATIC CLUB SCORESHEET

**A**

Contest:	Date:	Category: <b>Advanced</b>	Programme: <b>Unknown</b>	pilot's number	
----------	-------	------------------------------	------------------------------	----------------	--

No	Symbol	Catalogue No.	K	Total K	Grade	Remarks
1		7.8.6.2 9.2.2.4 9.4.2.2 9.1.3.2 9.1.3.6	19 11 7 4 10	51		
2		1.2.5.1 9.2.4.4	14 9	23		
3		8.5.8.2 9.1.3.6 9.1.4.2	11 10 4	25		
4		8.4.1.1 9.1.1.3 9.9.5.2	13 10 11	34		
5		5.2.1.1 9.1.1.2 9.1.5.3	17 8 6	31		
6		7.2.1.1 9.1.3.4	6 8	14		
7		2.2.3.2	24	24		
8		7.3.3.3 9.9.4.4 9.1.4.2	14 11 4	29		
9		5.2.1.1 9.1.1.1 9.9.5.3	17 6 11	34		
10		1.1.6.1	10	10		

<b>Presentation</b>	<b>12</b>	
---------------------	-----------	--

FIGURE TOTAL K = **275**

INCLUDING PRESENTATION = **287**

Aircraft Type:

FREE PROGRAM CHECKED BY:

Signature:	Printed Name:	IAC No.:	Date:
------------	---------------	----------	-------

Judge Name:

IAC#

Assistant Name:

IAC#



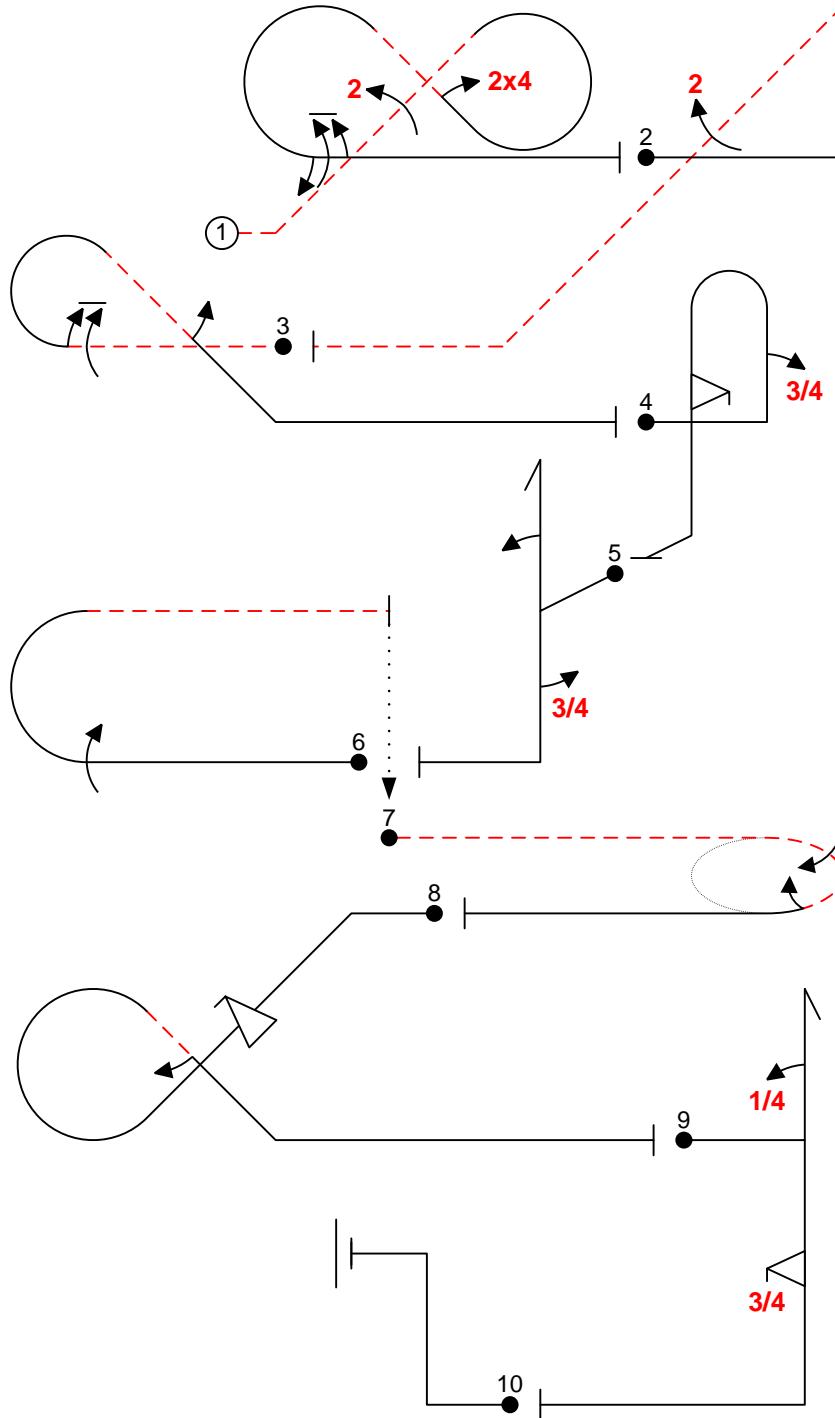
Pilot NAC



<b>B</b>	Contest:	Category: <b>Advanced</b>	
	Date:	Program: <b>Unknown</b>	Pilot's No. <input type="text"/>

wind direction

Pilot  
NAC



A/C:

(signature/date)

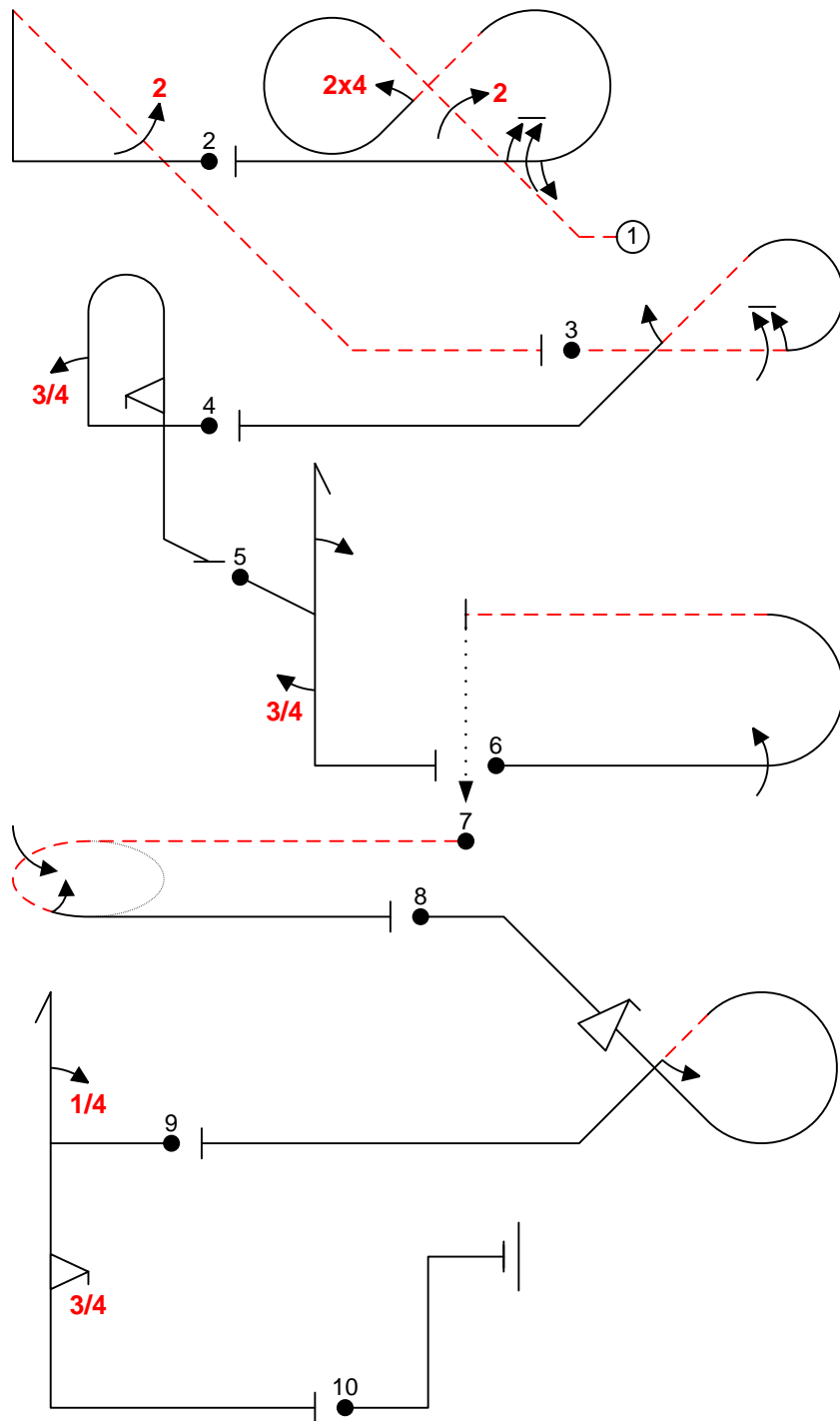
FREE PROGRAM CHECK BY:



<b>C</b>	Contest:	Category: <b>Advanced</b>	
	Date:	Program: <b>Unknown</b>	Pilot's No. <input type="text"/>

pilot  
NAC

wind direction



A/C:

(signature/date)

FREE PROGRAM CHECK BY: