

INTERNATIONAL AEROBATIC CLUB SCORESHEET

A

Contest:	Date:	Category: Advanced	Programme: Unknown	pilot's number	
----------	-------	------------------------------	------------------------------	----------------	--

No	Symbol	Catalogue No.	K	Total K	Grade	Remarks
1		7.2.1.1 9.2.3.8 9.1.3.2 9.1.3.6	6 15 4 10	35		
2		8.6.2.4 9.12.1.6 9.9.3.2	12 5 11	28		
3		1.1.7.3 9.8.5.1	11 3	14		
4		1.1.6.2 9.8.1.1	11 7	18		
5		7.2.1.4 9.2.3.4	6 9	15		
6		7.4.3.1 9.4.3.4	14 11	25		
7		8.5.5.1 9.1.3.8 9.2.4.4	10 12 9	31		
8		5.2.1.4 9.1.1.4 9.1.5.3	22 12 6	40		
9		8.4.3.1 9.1.1.1 9.4.5.2	15 6 5	26		
10		7.2.1.1 9.9.3.4	6 11	17		
11		2.2.3.4	26	26		

Presentation	12	
---------------------	-----------	--

FIGURE TOTAL K = 275

INCLUDING PRESENTATION = 287

Aircraft Type:

FREE PROGRAM CHECKED BY:

Signature:	Printed Name:	Date:
		IAC No.

Judge Name:

IAC#

Assistant Name:

IAC#



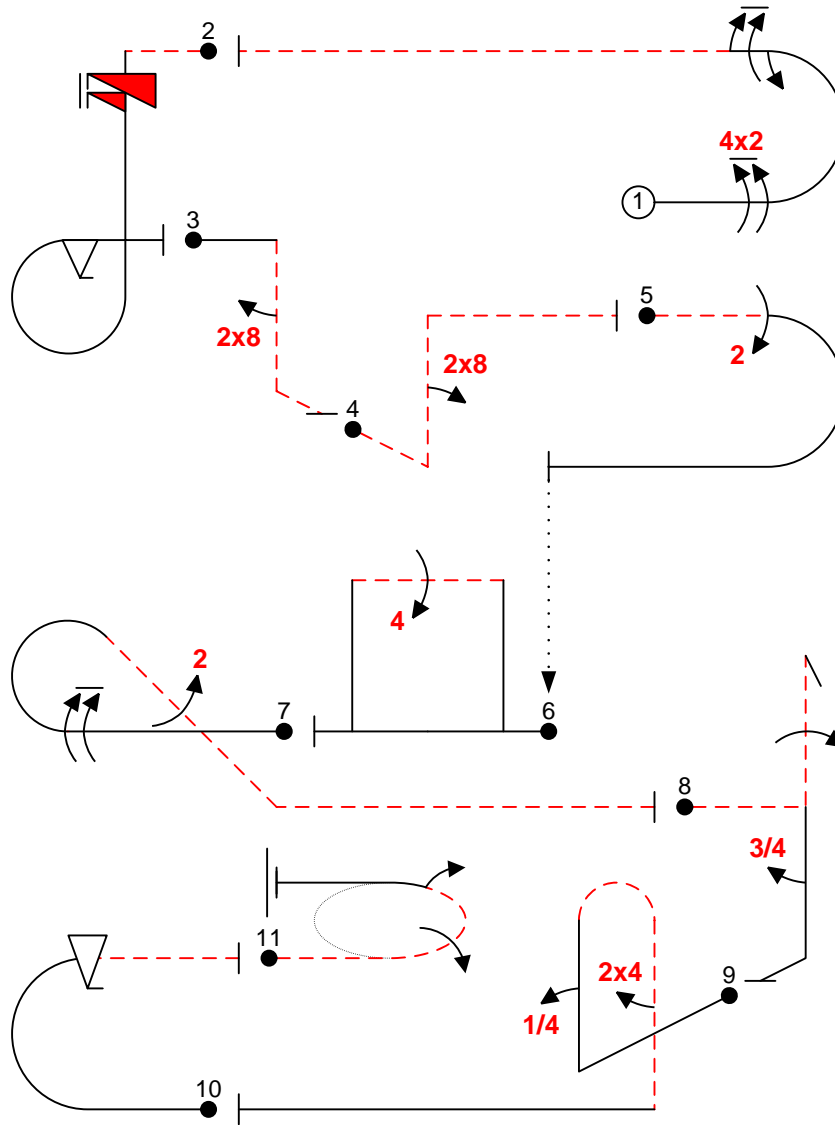
pilot



B	Contest:	Category: Advanced
Date:	Program: Unknown	Pilot's No. <input type="text"/>

wind direction

Pilot:



A/C:

(signature/date)

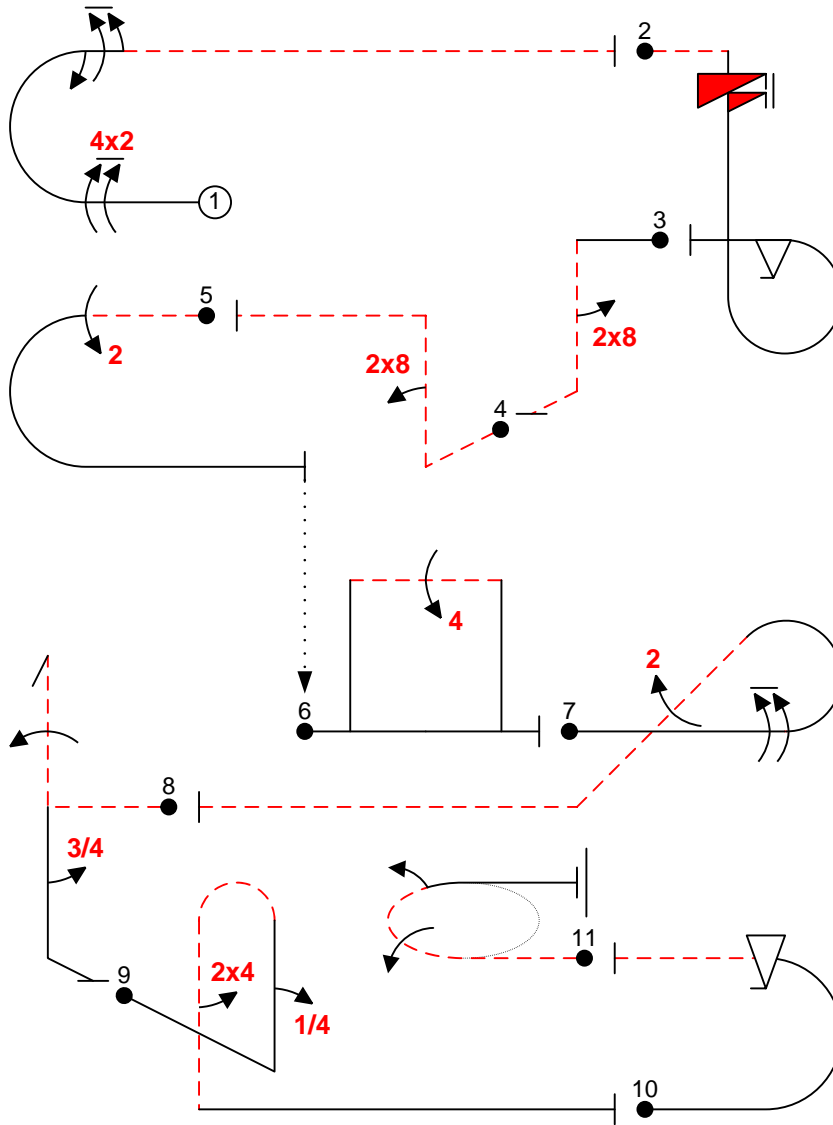
FREE PROGRAM CHECK BY:



C	Contest:	Category: Advanced
Date:	Program: Unknown	Pilot's No. <input type="text"/>

wind direction

Pilot: _____



A/C: _____

(signature/date)

FREE PROGRAM CHECK BY: _____