

INTERNATIONAL AEROBATIC CLUB SCORESHEET

**A**

Contest:	Date:	Category: <b>Advanced</b>	Programme: <b>Unknown</b>	pilot's number	
----------	-------	------------------------------	------------------------------	----------------	--

No	Symbol	Catalogue No.	K	Total K	Grade	Remarks	Item	K	Score
1		2.3.4.2	31	31			<b>Presentation</b>	<b>12</b>	
2		1.1.6.4 9.12.1.5	10 6	16					
3		5.2.1.4 9.1.5.3	22 6	28					
4		7.4.5.1	15	15					
5		8.6.5.1 9.1.3.4 9.4.3.4 9.1.5.2	11 8 11 4	34					
6		7.2.2.1 9.1.3.4 9.1.3.2	6 8 4	18					
7		1.1.1.3 9.9.3.6	2 14	16					
8		1.2.7.4 9.9.2.2	14 13	27					
9		1.1.7.4 9.8.5.1	9 3	12					
10		5.2.1.1 9.4.1.2 9.9.5.3	17 9 11	37					
11		7.2.3.1 9.4.3.2	8 5	13					
12		7.3.3.3 9.2.4.4 9.4.4.2	14 9 5	28					

FIGURE TOTAL K = **275**

INCLUDING PRESENTATION = **287**

Aircraft Type:

FREE PROGRAM CHECKED BY:

Signature:	Printed Name:	Date:
IAC No.		

Judge Name:

IAC#

Assistant Name:

IAC#



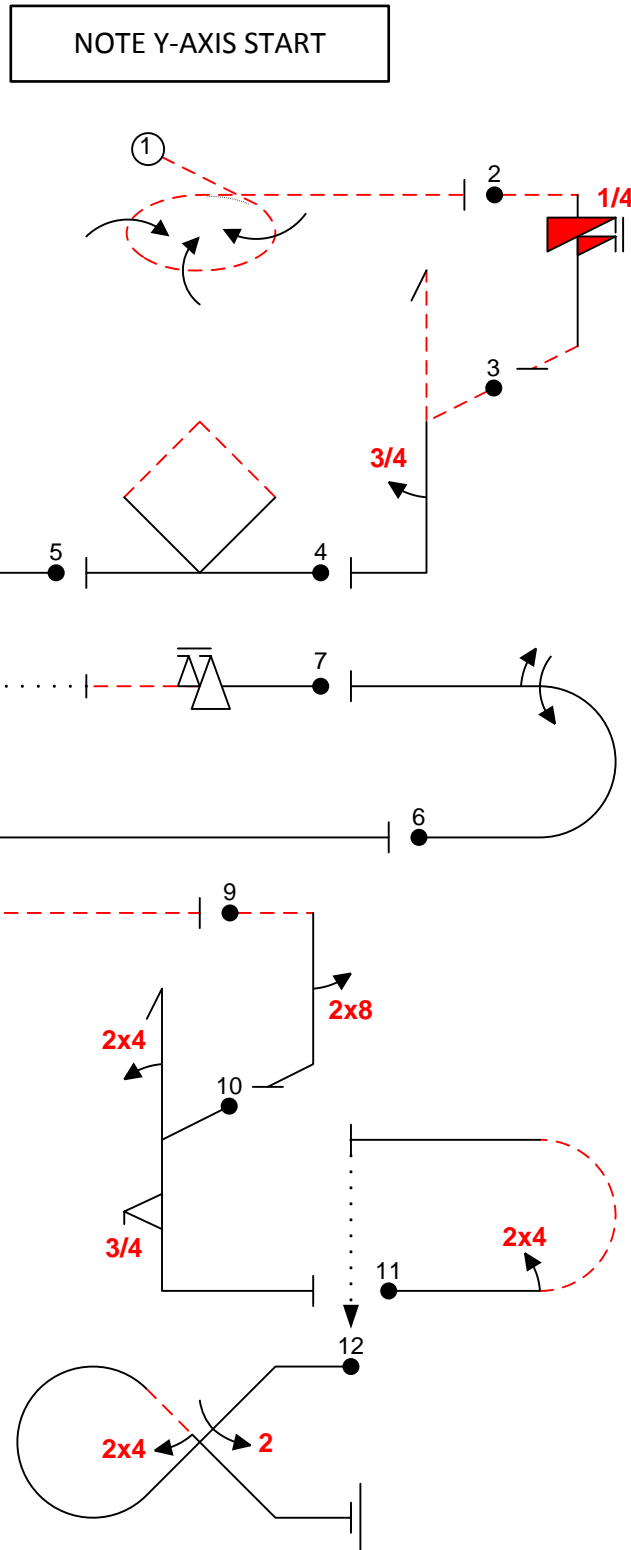
pilot



<b>B</b>	Contest:	Category: <b>Advanced</b>
Date:	Program: <b>Unknown</b>	Pilot's No. <input type="text"/>

wind direction

Pilot:



A/C:

(signature/date)

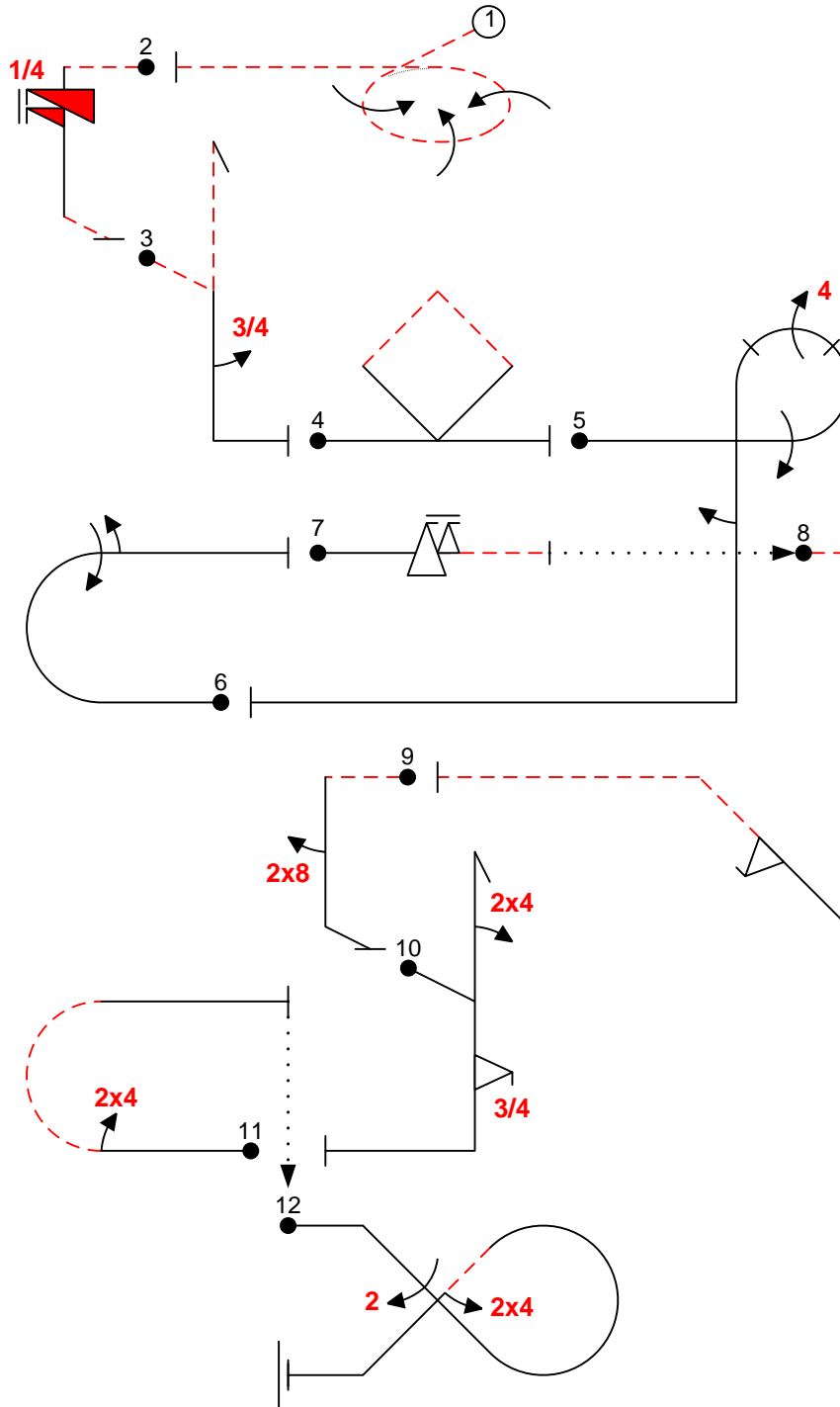
FREE PROGRAM CHECK BY:



<b>C</b>	Contest:	Category: <b>Advanced</b>
Date:	Program: <b>Unknown</b>	Pilot's No. <input type="text"/>

wind direction

NOTE Y-AXIS START



Pilot:

A/C:

(signature/date)

FREE PROGRAM CHECK BY: