


INTERNATIONAL AEROBATIC CLUB SCORESHEET

A	Contest:	Date:	Category: <b>Advanced</b>	Programme: <b>Unknown</b>	pilot's number	

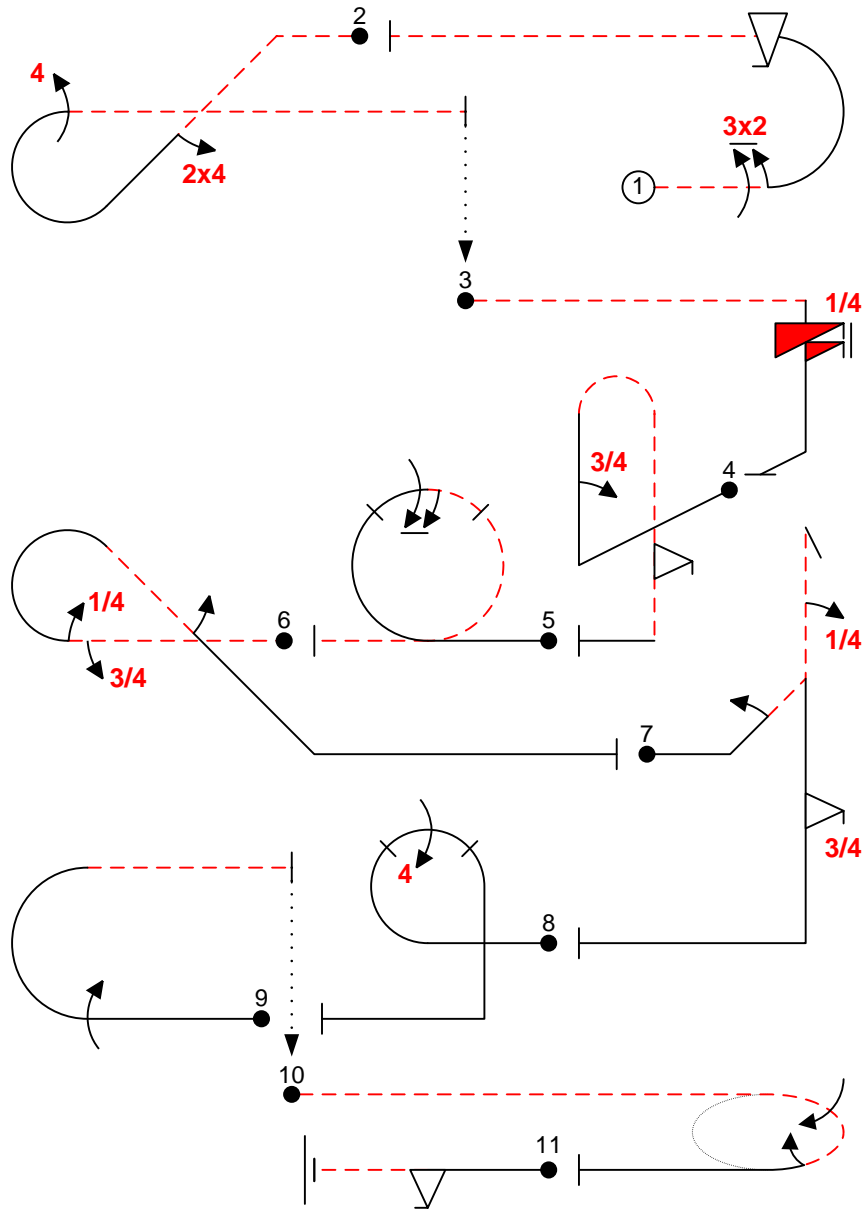
No	Symbol	Catalogue No.	K	Total K	Grade	Remarks	Item	K	Score	
1		7.2.3.2 9.2.3.6 9.9.3.4	7 12 11	30			<div style="border: 1px solid black; padding: 5px; margin-bottom: 10px;"><b>Presentation</b></div> <div style="border: 1px solid black; padding: 5px; margin-bottom: 10px;">FIGURE TOTAL K = <span style="border: 1px solid black; padding: 2px 10px;">275</span></div> <div style="border: 1px solid black; padding: 5px; margin-bottom: 10px;">INCLUDING PRESENTATION = <span style="border: 1px solid black; padding: 2px 10px;">287</span></div> <div style="border: 1px solid black; padding: 5px; margin-bottom: 10px;">Aircraft Type:</div> <div style="border: 1px solid black; padding: 5px; margin-bottom: 10px;"> <div style="display: flex; justify-content: space-between;"> <div style="writing-mode: vertical-rl; transform: rotate(180deg); font-weight: bold;">FREE PROGRAM CHECKED BY:</div> <div style="border: 1px solid black; padding: 5px;"> <div style="display: flex; justify-content: space-between;"> <div style="border-right: 1px solid black; padding-right: 5px;">Signature:</div> <div style="border-right: 1px solid black; padding-right: 5px;">Printed Name:</div> <div style="padding-right: 5px;">Date:</div> </div> <div style="display: flex; justify-content: space-between; margin-top: 5px;"> <div style="border-right: 1px solid black; padding-right: 5px;">IAC No.</div> </div> </div> </div> <div style="border: 1px solid black; padding: 5px; margin-bottom: 10px;">Judge Name:</div> <div style="border: 1px solid black; padding: 5px; margin-bottom: 10px;">IAC#</div> <div style="border: 1px solid black; padding: 5px; margin-bottom: 10px;">Assistant Name:</div> <div style="border: 1px solid black; padding: 5px; margin-bottom: 10px;">IAC#</div> <div style="text-align: center; margin-top: 20px;">  </div> <div style="text-align: right; margin-top: 20px;"> <p style="font-style: italic;">pilot</p> </div> </div>	12		
2		8.5.2.4 9.4.4.2 9.4.3.4	11 5 11	27						
3		1.1.7.4 9.12.1.5	9 6	15						
4		8.4.3.1 9.1.1.3 9.9.10.2	15 10 13	38						
5		7.4.2.1 9.1.3.6	12 10	22						
6		8.5.8.2 9.1.3.3 9.1.3.1 9.1.4.2	11 6 2 4	23						
7		5.3.2.1 9.1.2.2 9.1.1.1 9.9.5.3	24 6 6 11	47						
8		8.6.5.1 9.4.3.4	11 11	22						
9		7.2.1.1 9.1.3.4	6 8	14						
10		2.2.3.2	24	24						
11		1.1.1.3 9.9.3.2	2 11	13						



<b>B</b>	Contest:	Category: <b>Advanced</b>
Date:	Program: <b>Unknown</b>	Pilot's No. <input type="text"/>

wind direction

Pilot:



A/C:

(signature/date)

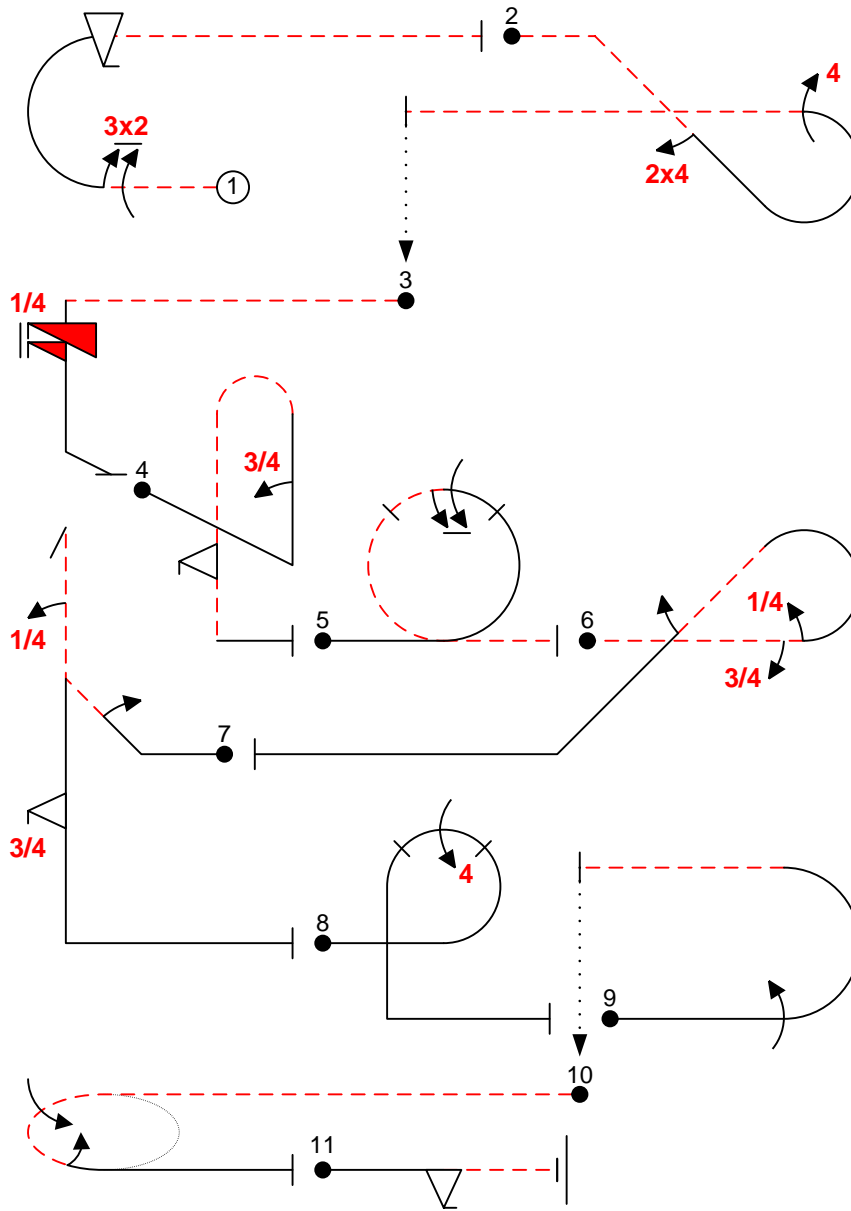
FREE PROGRAM CHECK BY:



<b>C</b>	Contest:	Category: <b>Advanced</b>
Date:	Program: <b>Unknown</b>	Pilot's No. <input type="text"/>

wind direction

Pilot: \_\_\_\_\_



A/C: \_\_\_\_\_

FREE PROGRAM CHECK BY: (signature/date)

FREE PROGRAM CHECK BY: (signature/date)