

INTERNATIONAL AEROBATIC CLUB SCORESHEET

<b>A</b>	Contest:	Date:	Category: <b>Advanced</b>	Programme: <b>Unknown</b>	pilot's number	

No	Symbol	Catalogue No.	K	Total K	Grade	Remarks
1		1.2.3.4 9.4.4.2 9.1.1.1	12 5 6	23		
2		8.6.2.4 9.12.1.5 9.1.3.2	12 6 4	22		
3		2.2.3.3	26	26		
4		8.4.4.2 9.1.1.3 9.9.5.3	14 10 11	35		
5		7.2.1.1 9.2.3.4 9.1.3.4	6 9 8	23		
6		1.1.1.4 9.1.3.1 9.1.3.3	2 2 6	10		
7		8.5.7.1 9.1.3.2 9.9.4.4	12 4 11	27		
8		5.3.2.1 9.1.2.2 9.1.1.1 9.4.5.2	24 6 6 5	41		
9		8.4.3.1 9.8.1.1	15 7	22		
10		1.1.7.1 9.1.1.2	9 8	17		
11		7.3.2.4 9.4.4.2 9.2.4.4	15 5 9	29		

Item	K	Score
Presentation	12	

FIGURE TOTAL K =

INCLUDING PRESENTATION =

Aircraft Type:

FREE PROGRAM CHECKED BY:

Signature:	Printed Name:	Date:
		IAC No.

Judge
Name
Number



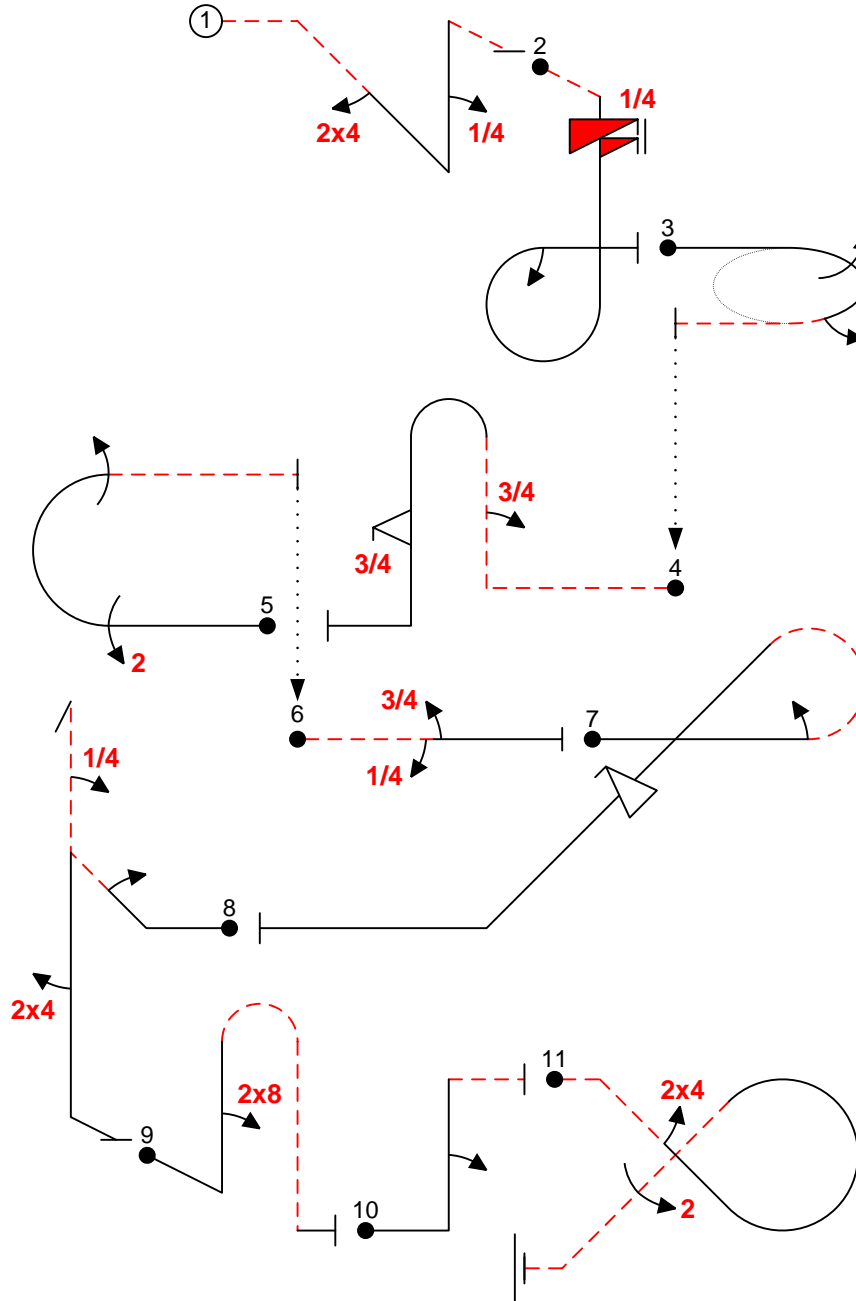
pilot



<b>B</b>	Contest:	Category: <b>Advanced</b>
Date:	Program: <b>Unknown</b>	Pilot's No. <input type="text"/>

wind direction

Pilot:



Created Using Aresti 2013™ software. ACCassidy@aol.com

A/C:

(signature/date)

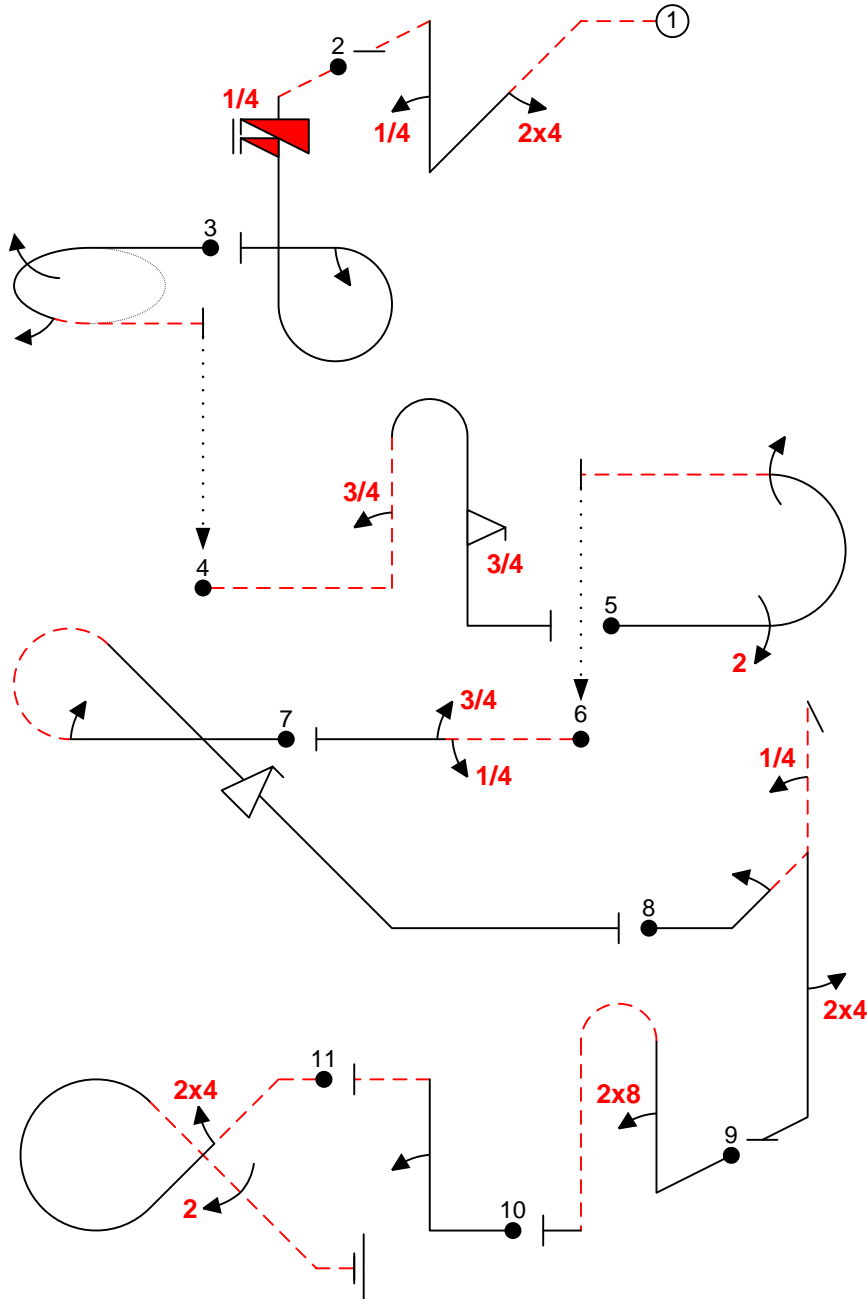
FREE PROGRAM CHECK BY:



<b>C</b>	Contest:	Category: <b>Advanced</b>
Date:	Program: <b>Unknown</b>	Pilot's No. <input type="text"/>

wind direction

Pilot: \_\_\_\_\_



A/C: \_\_\_\_\_

FREE PROGRAM CHECK BY: (signature/date) \_\_\_\_\_

FREE PROGRAM CHECK BY: (signature/date) \_\_\_\_\_