

INTERNATIONAL AEROBATIC CLUB SCORESHEET

A

Contest:	Date:	Category: Advanced	Programme: Unknown	pilot's number	
----------	-------	------------------------------	------------------------------	----------------	--

No	Symbol	Catalogue No.	K	Total K	Grade	Remarks
1		7.8.6.2 9.1.2.4 9.4.2.2 9.4.3.4	19 10 7 11	47		
2		1.2.8.1 9.1.1.2 9.9.4.2	16 8 11	35		
3		8.5.8.2 9.1.3.6 9.1.4.2	11 10 4	25		
4		5.3.2.1 9.1.2.2 9.9.5.3	24 6 11	41		
5		1.1.7.1 9.1.1.1	9 6	15		
6		2.4.5.2	40	40		
7		7.2.1.4 9.1.3.4	6 8	14		
8		7.4.3.1 9.1.3.4	14 8	22		
9		5.2.1.1 9.1.5.1	17 2	19		
10		1.1.6.1 9.8.1.1	10 7	17		

Presentation	12	
---------------------	-----------	--

FIGURE TOTAL K = 275

INCLUDING PRESENTATION = 287

Aircraft Type:

FREE PROGRAM CHECKED BY:

Signature:	Printed Name:	Date:
		IAC No.

Judge
Name
Number



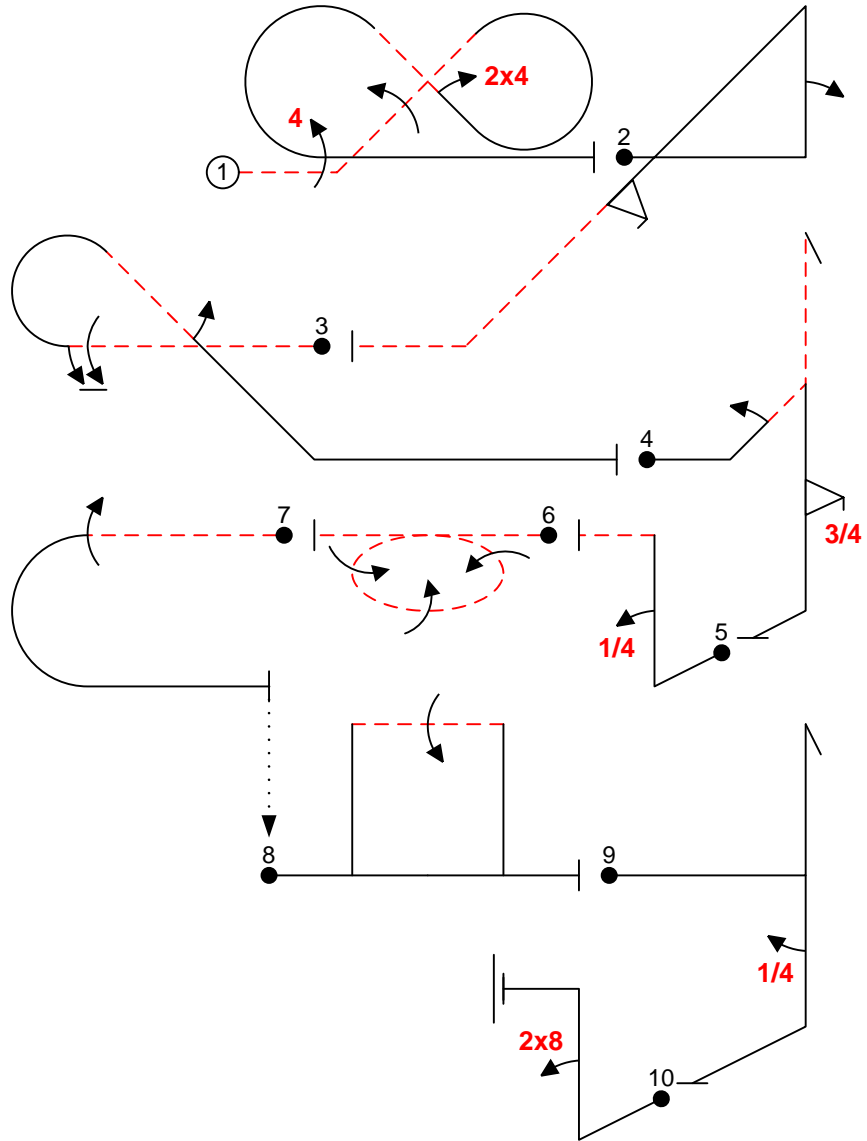
pilot



B	Contest:	Category: Advanced
Date:	Program: Unknown	Pilot's No. <input type="text"/>

wind direction

Pilot:



A/C:

(signature/date)

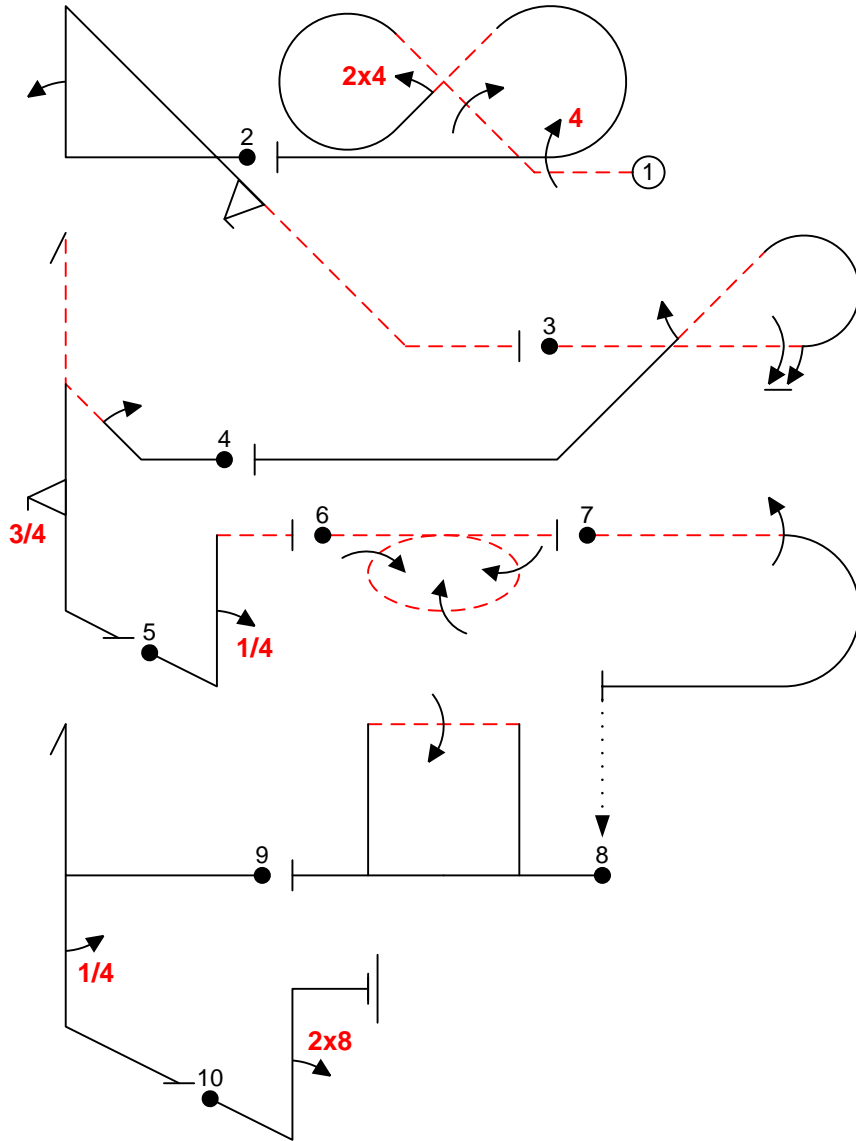
FREE PROGRAM CHECK BY:



C	Contest:	Category: Advanced
Date:	Program: Unknown	Pilot's No. <input type="text"/>

Pilot: _____

wind direction



A/C: _____

(signature/date)

FREE PROGRAM CHECK BY: _____