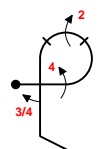
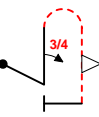
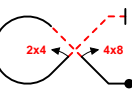
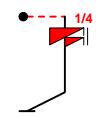
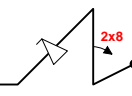
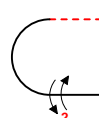
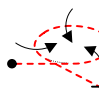
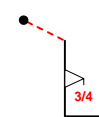
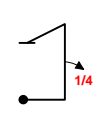
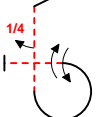


INTERNATIONAL AEROBATIC CLUB SCORESHEET

A

Contest:	Date:	Category: Advanced	Programme: Unknown	pilot's number	
----------	-------	------------------------------	------------------------------	----------------	--

No	Symbol	Catalogue No.	K	Total K	Grade	Remarks
1		8.6.5.1 9.4.3.4 9.2.3.4 9.1.5.3	11 11 9 6	37		
2		8.4.3.1 9.1.1.3 9.9.10.2	15 10 13	38		
3		7.3.4.1 9.8.2.2 9.4.2.2	16 9 7	32		
4		1.1.7.4 9.12.1.5	9 6	15		
5		1.2.6.1 9.8.1.1 9.9.4.4	14 7 11	32		
6		7.2.1.1 9.1.3.4 9.2.3.4	6 8 9	23		
7		2.3.4.2	31	31		
8		1.1.7.4 9.9.5.3	9 11	20		
9		1.1.6.1 9.1.1.1	10 6	16		
10		8.6.3.3 9.1.5.1 9.1.3.4 9.1.3.4	13 2 8 8	31		

Presentation	12	
---------------------	-----------	--

FIGURE TOTAL K = **275**

INCLUDING PRESENTATION = **287**

Aircraft Type:

FREE PROGRAM CHECKED BY:

Signature:	Printed Name:	Date:
		IAC No.

Judge
Name
Number



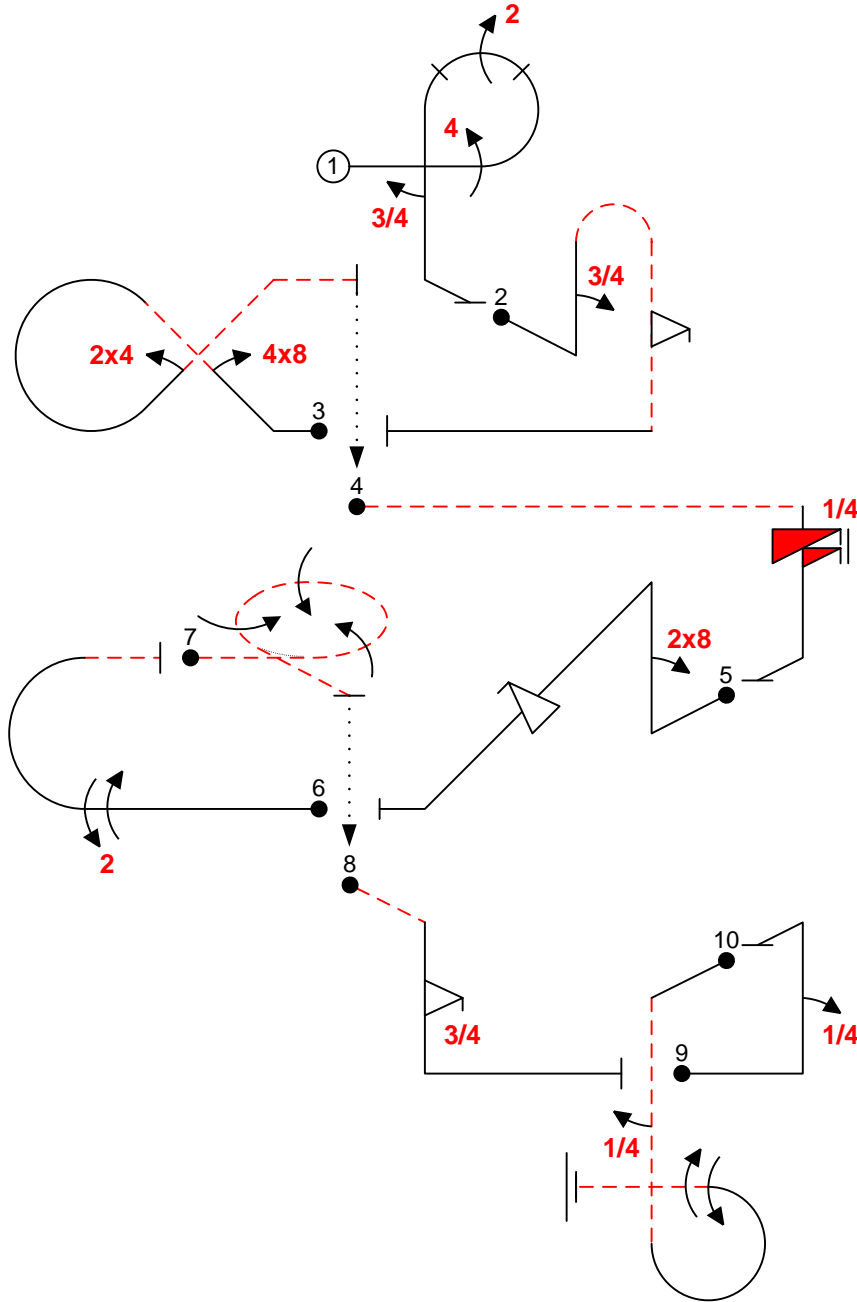
pilot



B	Contest:	Category: Advanced
Date:	Program: Unknown	Pilot's No. <input type="text"/>

wind direction

Pilot:



A/C:

(signature/date)

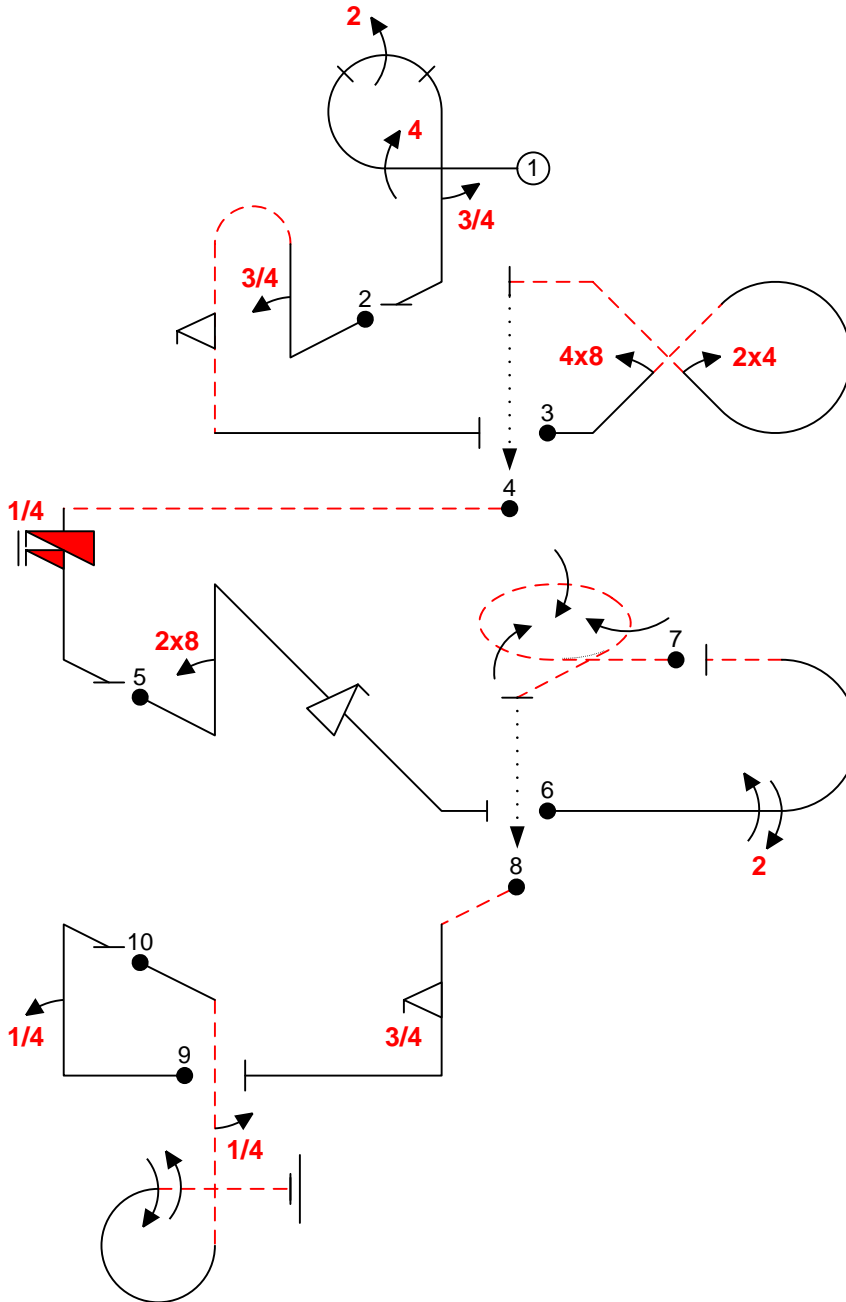
FREE PROGRAM CHECK BY:



C	Contest:	Category: Advanced
Date:	Program: Unknown	Pilot's No. <input type="text"/>

wind direction

Pilot: _____



A/C: _____

FREE PROGRAM CHECK BY: (signature/date)

FREE PROGRAM CHECK BY: (signature/date)