

INTERNATIONAL AEROBATIC CLUB SCORESHEET

A

Contest:	Date:	Category: Advanced	Programme: Unknown	pilot's number	
----------	-------	------------------------------	------------------------------	----------------	--

No	Symbol	Catalogue No.	K	Total K	Grade	Remarks
1		7.2.1.1 9.4.3.4 9.4.3.3 9.1.3.3	6 11 8 6	31		
2		2.2.5.2	23	23		
3		1.1.7.4 9.12.1.5	9 6	15		
4		9.1.1.3 1.1.7.1	10 9	19		
5		7.2.1.4 9.2.3.4 9.8.3.4	6 9 15	30		
6		8.4.1.1 9.1.1.1 9.9.5.3	13 6 11	30		
7		5.2.1.1 9.4.1.2 9.1.5.3	17 9 6	32		
8		5.2.1.1 9.1.1.3 9.4.5.2	17 10 5	32		
9		7.2.3.1 9.1.3.2 9.1.3.4 9.1.3.4	8 4 8 8	28		
10		7.3.3.3 9.9.4.4 9.4.4.2	14 11 5	30		
11		2.3.1.1	5	5		

Presentation	12	
---------------------	-----------	--

FIGURE TOTAL K = 275

INCLUDING PRESENTATION = 287

Aircraft Type:

FREE PROGRAM CHECKED BY:

Signature:	Printed Name:	Date:
		IAC No.

Judge
Name
Number



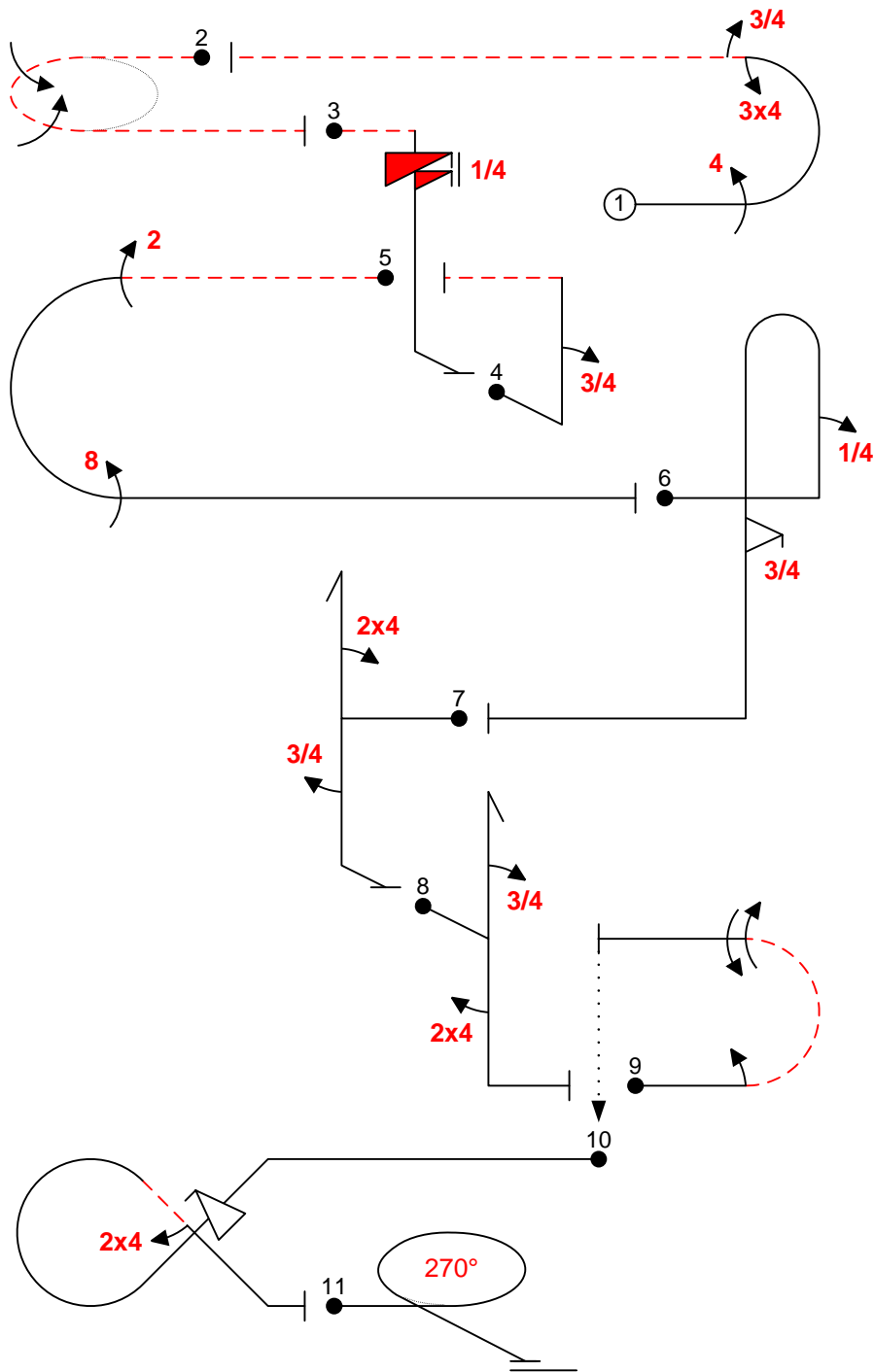
pilot



B	Contest:	Category: Advanced
Date:	Program: Unknown	Pilot's No. <input type="text"/>

wind direction

Pilot:



A/C:

(signature/date)

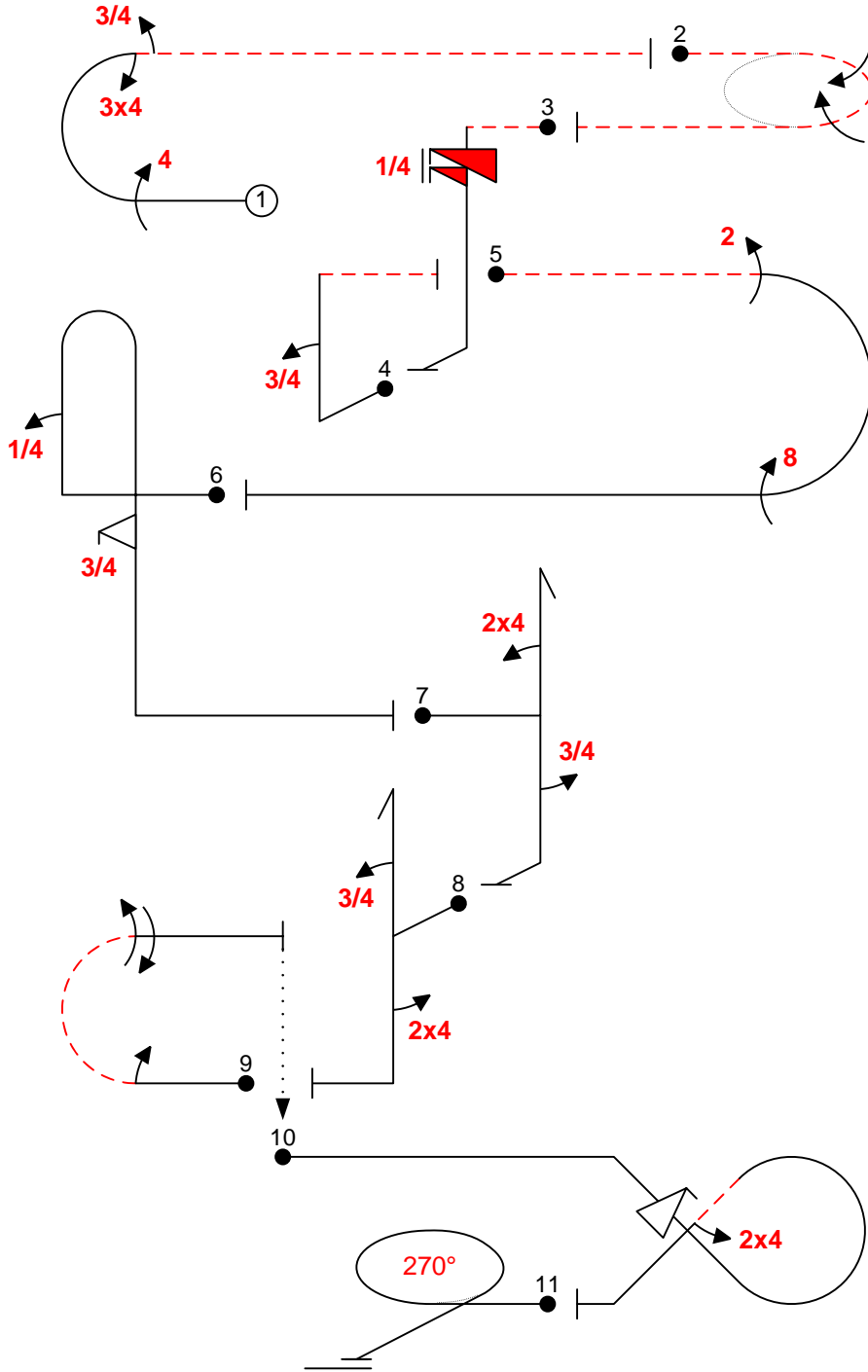
FREE PROGRAM CHECK BY:



C	Contest:	Category: Advanced
Date:	Program: Unknown	Pilot's No. <input type="text"/>

wind direction

Pilot: _____



A/C: _____

(signature/date)

FREE PROGRAM CHECK BY: _____