

INTERNATIONAL AEROBATIC CLUB SCORESHEET

A	Contest:	Date:	Category: <b>Advanced</b>	Programme: <b>Unknown</b>	pilot's number	

No	Symbol	Catalogue No.	K	Total K	Grade	Remarks	Item	K	Score						
1		2.8.2	31	31			<b>Presentation</b>	<b>12</b>							
2		1.6.4 9.12.1.5	10 6	16			FIGURE TOTAL K = <span style="border: 1px solid black; padding: 2px;">274</span>								
3		5.1.4 9.1.5.3	22 6	28			INCLUDING PRESENTATION = <span style="border: 1px solid black; padding: 2px;">286</span>								
4		7.9.1	15	15			Aircraft Type: <div style="border: 1px solid black; height: 20px; width: 100%;"></div>								
5		8.43.1 9.1.3.4 9.4.3.4 9.1.5.2	11 8 11 4	34			FREE PROGRAM CHECKED BY: <table border="1" style="width: 100%; height: 100%; border-collapse: collapse;"> <tr> <td style="width: 33%; vertical-align: bottom;">Signature:</td> <td style="width: 33%; vertical-align: bottom;">Printed Name:</td> <td style="width: 33%; vertical-align: bottom;">Date:</td> </tr> <tr> <td style="width: 33%; vertical-align: top;">IAC No.</td> <td colspan="2"></td> </tr> </table>			Signature:	Printed Name:	Date:	IAC No.		
Signature:	Printed Name:	Date:													
IAC No.															
6		7.2.1 9.1.3.4 9.1.3.2	6 8 4	18											
7		1.1.3 9.9.3.6	2 14	16											
8		1.18.4 9.9.2.2	14 13	27											
9		1.7.4 9.8.5.1	9 3	12											
10		5.1.1 9.4.1.2 9.9.5.3	17 9 11	37											
11		7.3.1 9.1.3.2	8 4	12											
12		7.21.3 9.2.4.4 9.4.4.2	14 9 5	28											

Judge	
Name	
Number	



pilot

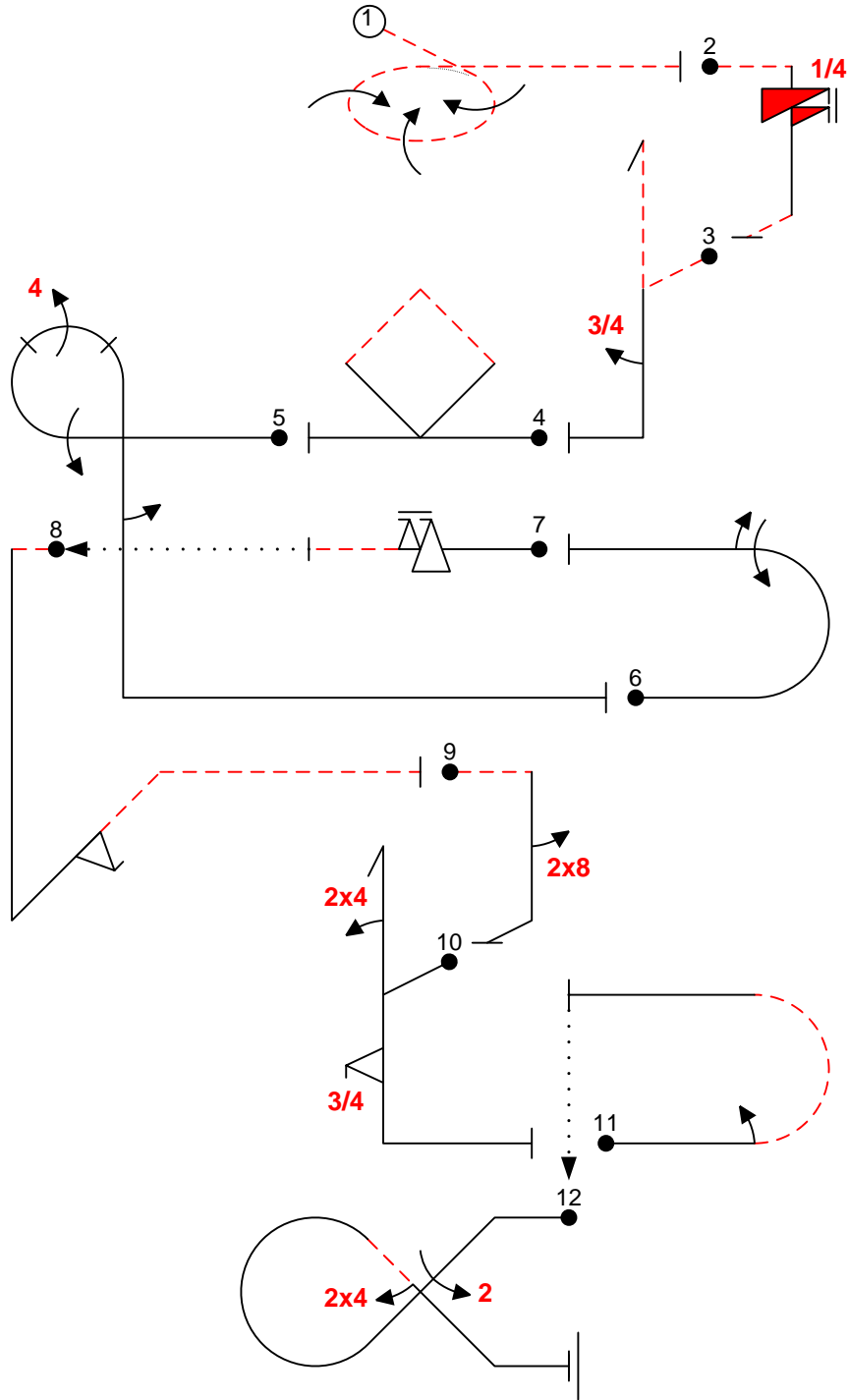


<b>B</b>	Contest:	Category: <b>Advanced</b>
Date:	Program: <b>Unknown</b>	Pilot's No. <input type="text"/>

wind direction

Pilot:

NOTE Y-AXIS START



A/C:

(signature/date)

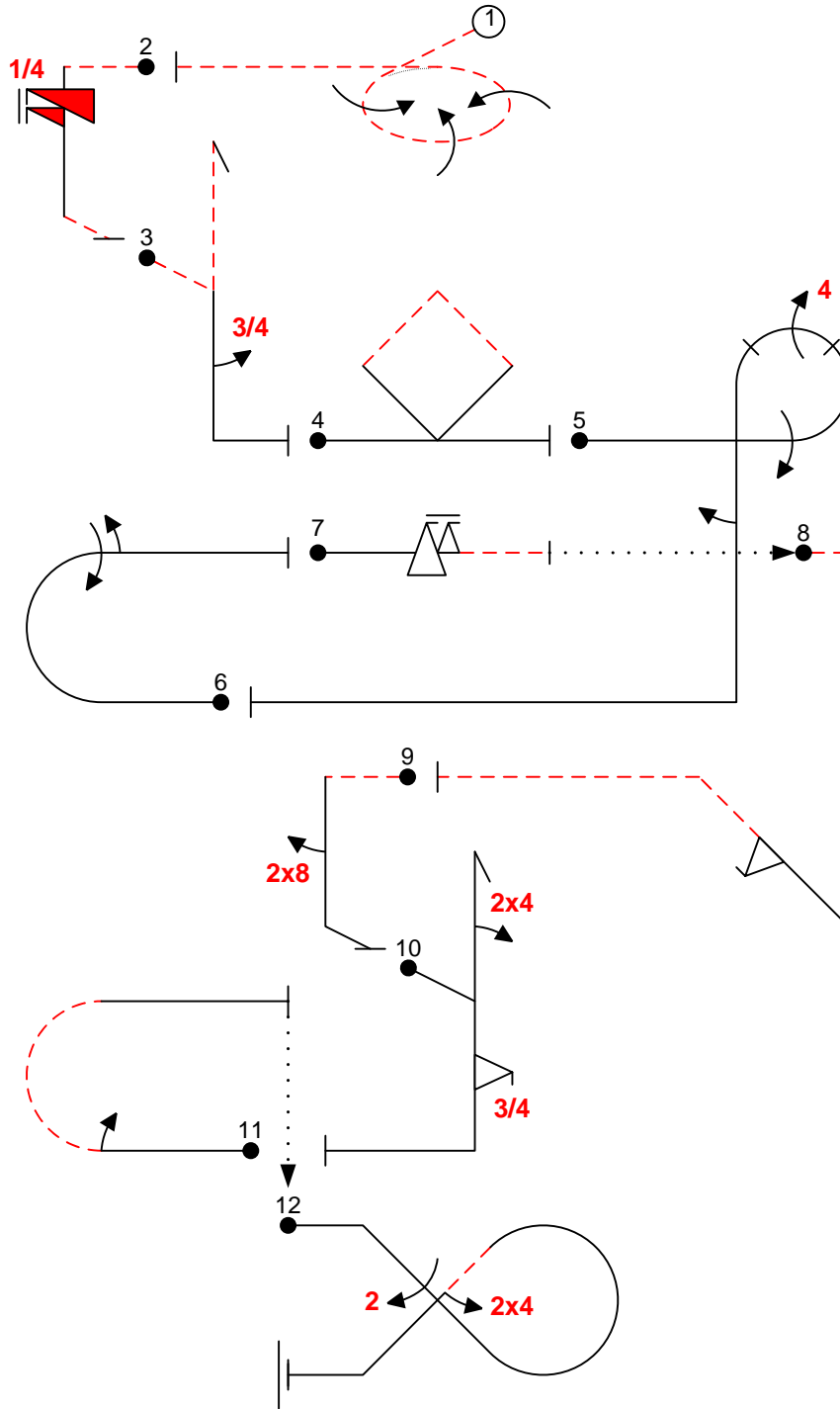
FREE PROGRAM CHECK BY:



<b>C</b>	Contest:	Category: <b>Advanced</b>
Date:	Program: <b>Unknown</b>	Pilot's No. <input type="text"/>

wind direction

NOTE Y-AXIS START



Pilot: \_\_\_\_\_

A/C: \_\_\_\_\_

(signature/date)

FREE PROGRAM CHECK BY: \_\_\_\_\_