

INTERNATIONAL AEROBATIC CLUB SCORESHEET

A	Contest:	Date:	Category: Advanced	Programme: Unknown	pilot's number	

No	Symbol	Catalogue No.	K	Total K	Grade	Remarks
1		2.8.4	34	34		
2		1.6.4 9.12.1.5	10 6	16		
3		7.4.2 9.4.3.2 9.8.3.2	6 5 7	18		
4		1.12.3 9.9.4.4 9.1.1.2	13 11 8	32		
5		1.1.3 9.1.3.1 9.1.3.3	2 2 6	10		
6		7.1.4 9.1.3.8	6 12	18		
7		5.3.1 9.1.2.2 9.1.1.1	24 6 6	36		
8		5.1.1 9.1.1.3 9.9.5.2	17 10 11	38		
9		8.33.1 9.1.1.2 9.1.3.4	11 8 8	27		
10		7.5.1 9.4.3.4	10 11	21		
11		8.15.1 9.9.2.2	12 13	25		

Item	K	Score
Presentation	12	

FIGURE TOTAL K =

INCLUDING PRESENTATION =

Aircraft Type:

FREE PROGRAM CHECKED BY:

Signature:	Printed Name:	Date:
		IAC No.

Judge
Name
Number

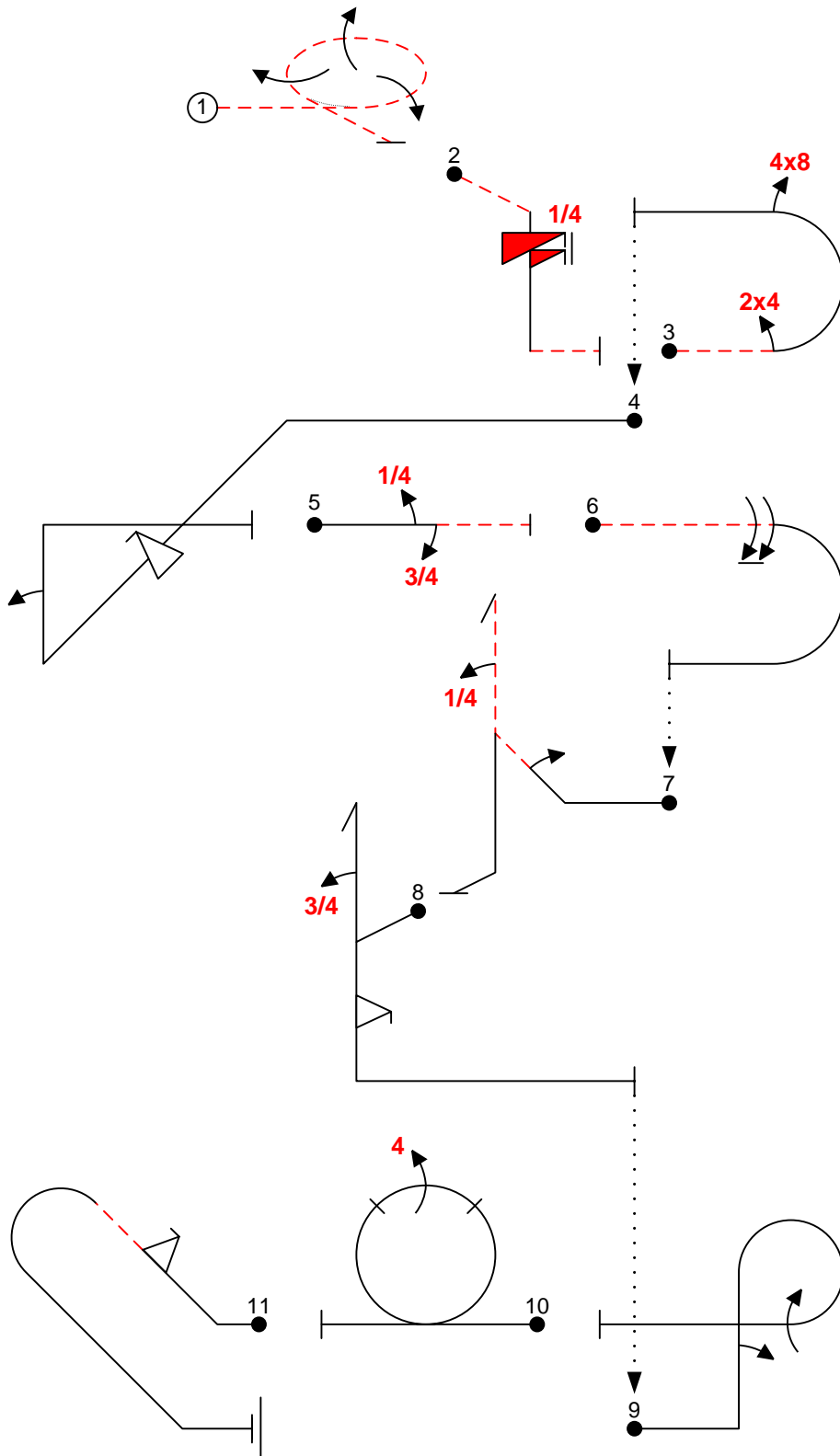




B	Contest:	Category: Advanced
Date:	Program: Unknown	Pilot's No. <input type="text"/>

wind direction

Pilot:



A/C:

(signature/date)

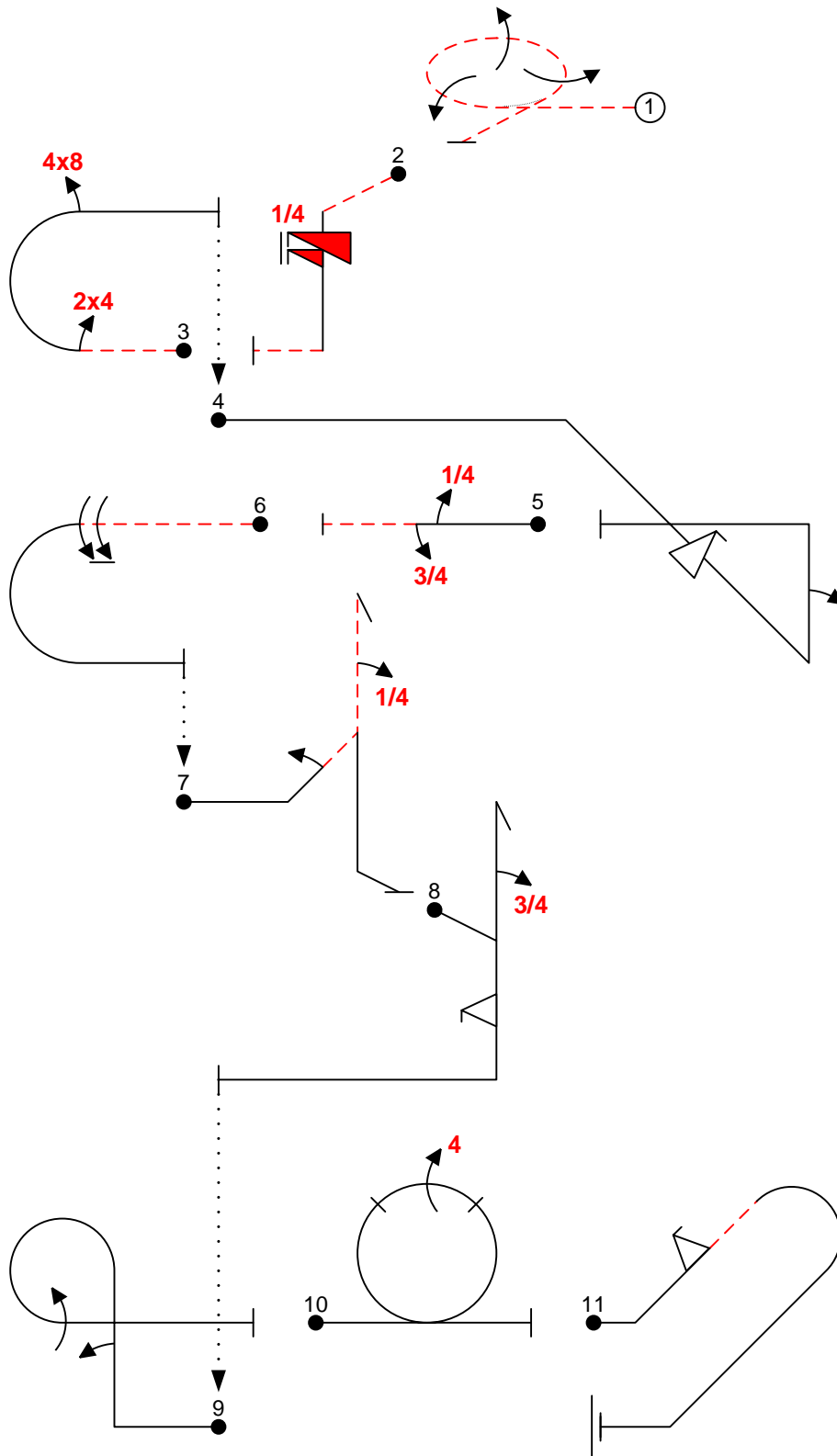
FREE PROGRAM CHECK BY:



C	Contest:	Category: Advanced
Date:	Program: Unknown	Pilot's No. <input type="text"/>

Pilot: _____

wind direction



A/C: _____

(signature/date)

FREE PROGRAM CHECK BY: _____