

INTERNATIONAL AEROBATIC CLUB SCORESHEET

<b>A</b>	Contest:	Date:	Category: <b>Advanced</b>	Programme: <b>Unknown</b>	pilot's number	

No	Symbol	Catalogue No.	K	Total K	Grade	Remarks	Item	K	Score		
1		1.6.2 9.8.1.1	11 7	18			<b>Presentation</b>	<b>12</b>			
2		2.2.4	4	4							
3		1.7.4 9.12.1.4	9 7	16							
4		1.14.1 9.9.2.2	12 13	25							
5		8.52.1 9.8.3.2 9.1.5.3	15 7 6	28							
6		5.1.1 9.4.1.2 9.9.5.3	17 9 11	37							
7		1.6.1	10	10							
8		7.4.3 9.1.3.6 9.1.3.2	6 10 4	20							
9		1.1.4 9.4.3.2 9.2.3.4	2 5 9	16							
10		5.3.1 9.1.2.2 9.1.5.2	24 6 4	34							
11		7.9.1	15	15							
12		1.17.1 9.4.1.2	14 9	23							
13		2.6.3	24	24							

FIGURE TOTAL K = 270

INCLUDING PRESENTATION = 282

Aircraft Type:

FREE PROGRAM CHECKED BY:

Signature:	Date:
	IAC No.

Judge
Name
Number



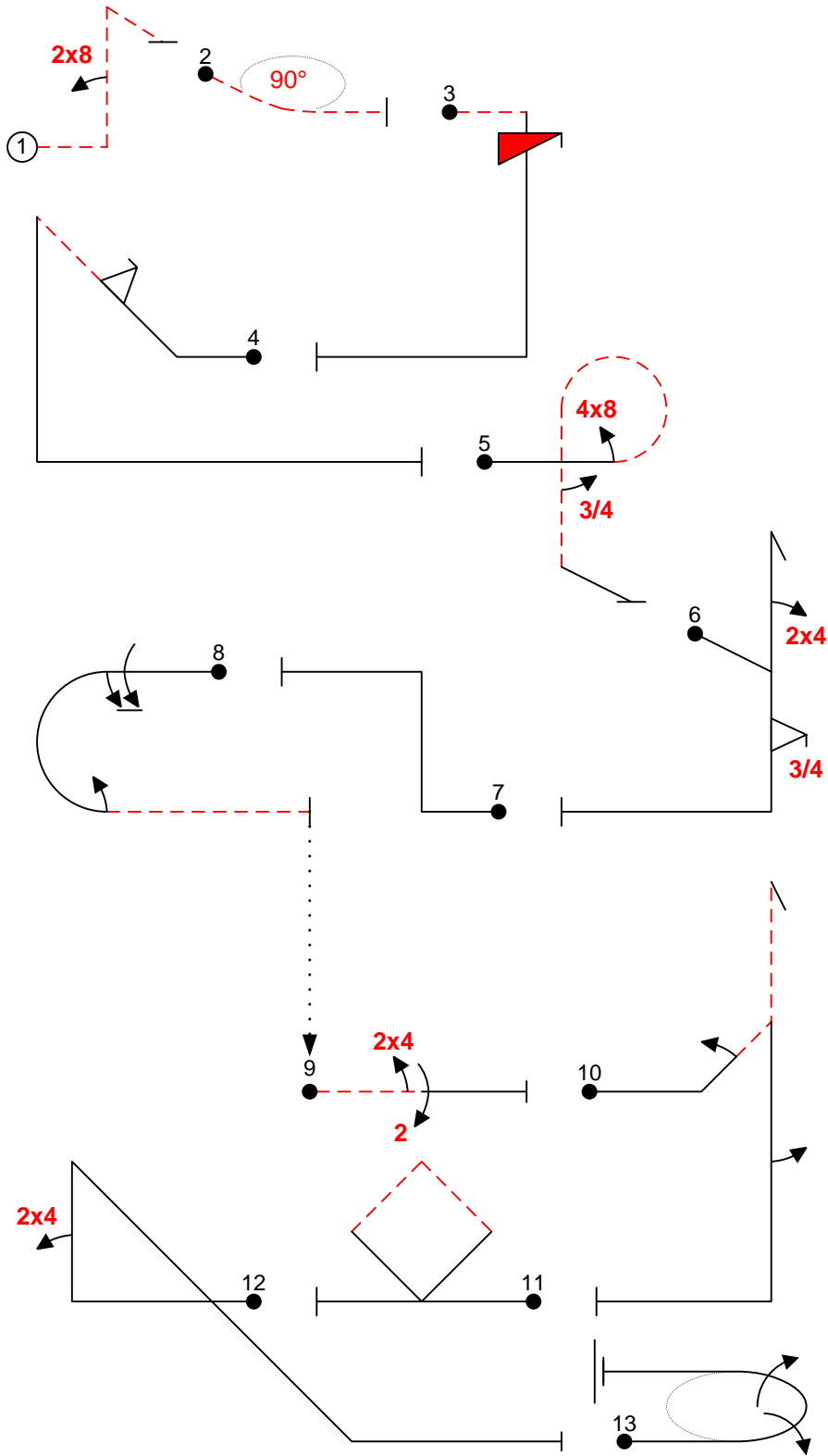
pilot



<b>B</b>	Contest:	Category: <b>Advanced</b>
Date:	Program: <b>Unknown</b>	Pilot's No. <input type="text"/>

wind direction

Pilot:



A/C:

(signature/date)

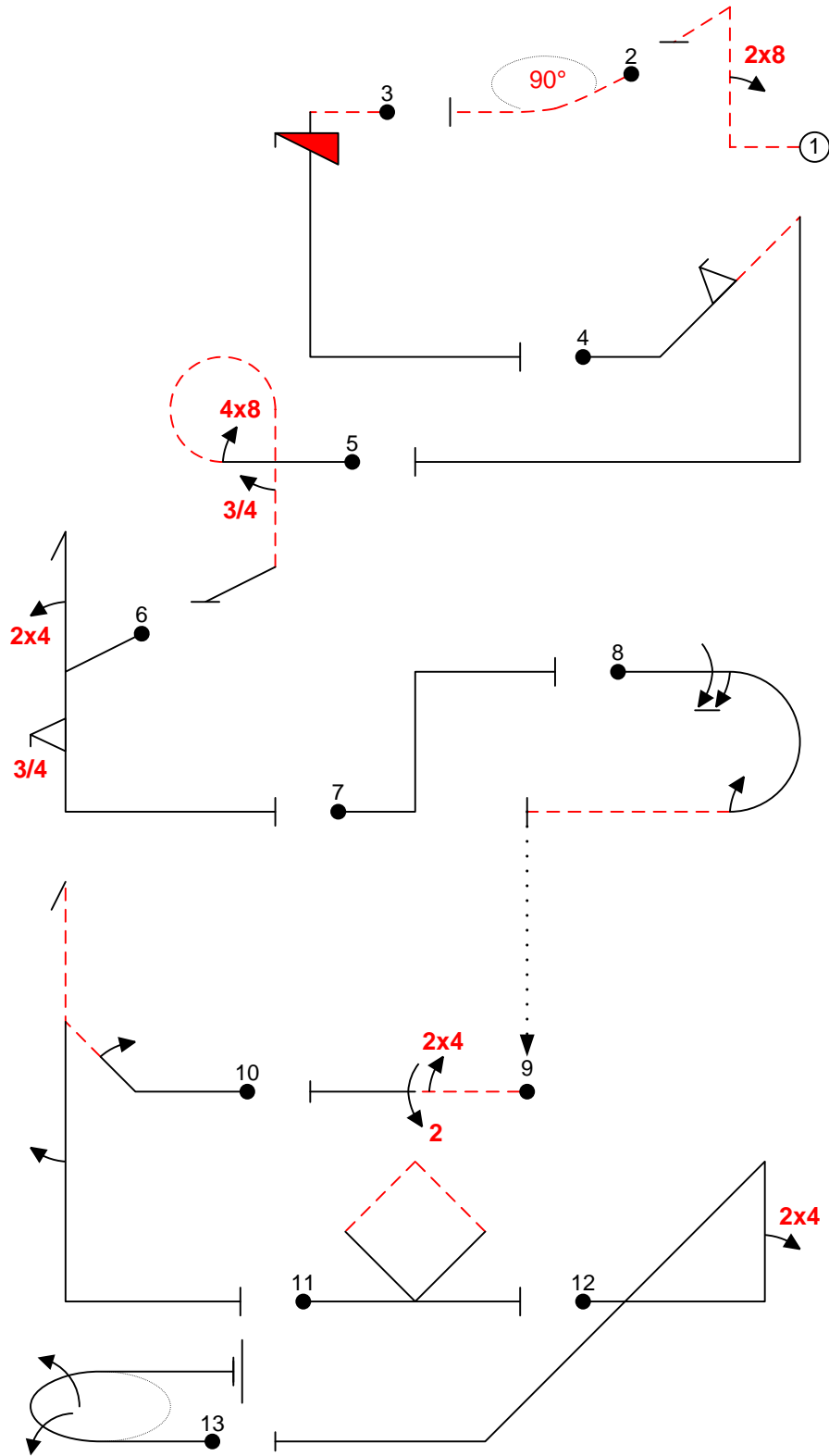
FREE PROGRAM CHECK BY:



<b>C</b>	Contest:	Category: <b>Advanced</b>
Date:	Program: <b>Unknown</b>	Pilot's No. <input type="text"/>

Pilot: \_\_\_\_\_

wind direction



Created Using Aresti 2009™ software. ACCassidy@aol.com

A/C: \_\_\_\_\_

FREE PROGRAM CHECK BY: (signature/date)

\_\_\_\_\_