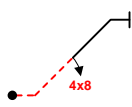
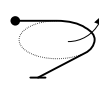
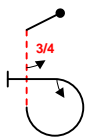
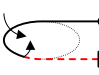
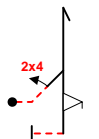
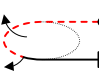
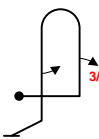
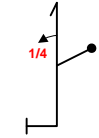
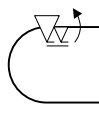
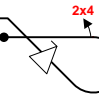
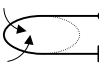


INTERNATIONAL AEROBATIC CLUB SCORESHEET

A	Contest:	Date:	Category: <b>Advanced</b>	Programme: <b>Unknown</b>	pilot's number	

No	Symbol	Catalogue No.	K	Total K	Grade	Remarks
1		1.3.2 9.8.2.2	8 9	17		
2		2.3.3	15	15		
3		8.40.3 9.1.5.3 9.1.3.2	13 6 4	23		
4		2.17.1	24	24		
5		5.3.2 9.4.2.2 9.9.5.2	22 7 11	40		
6		2.17.4	26	26		
7		8.1.1 9.1.1.3 9.1.5.2	13 10 4	27		
8		5.1.1 9.1.1.1	17 6	23		
9		7.2.1 9.9.3.6 9.1.3.4	6 14 8	28		
10		8.47.3 9.4.3.2 9.9.2.4	10 5 13	28		
11		2.6.1	22	22		

<b>Presentation</b>	<b>12</b>	
---------------------	-----------	--

FIGURE TOTAL K = 273

INCLUDING PRESENTATION = 285

Aircraft Type:

FREE PROGRAM CHECKED BY:

Signature:	Date:
IAC No.	

Judge
Name
Number



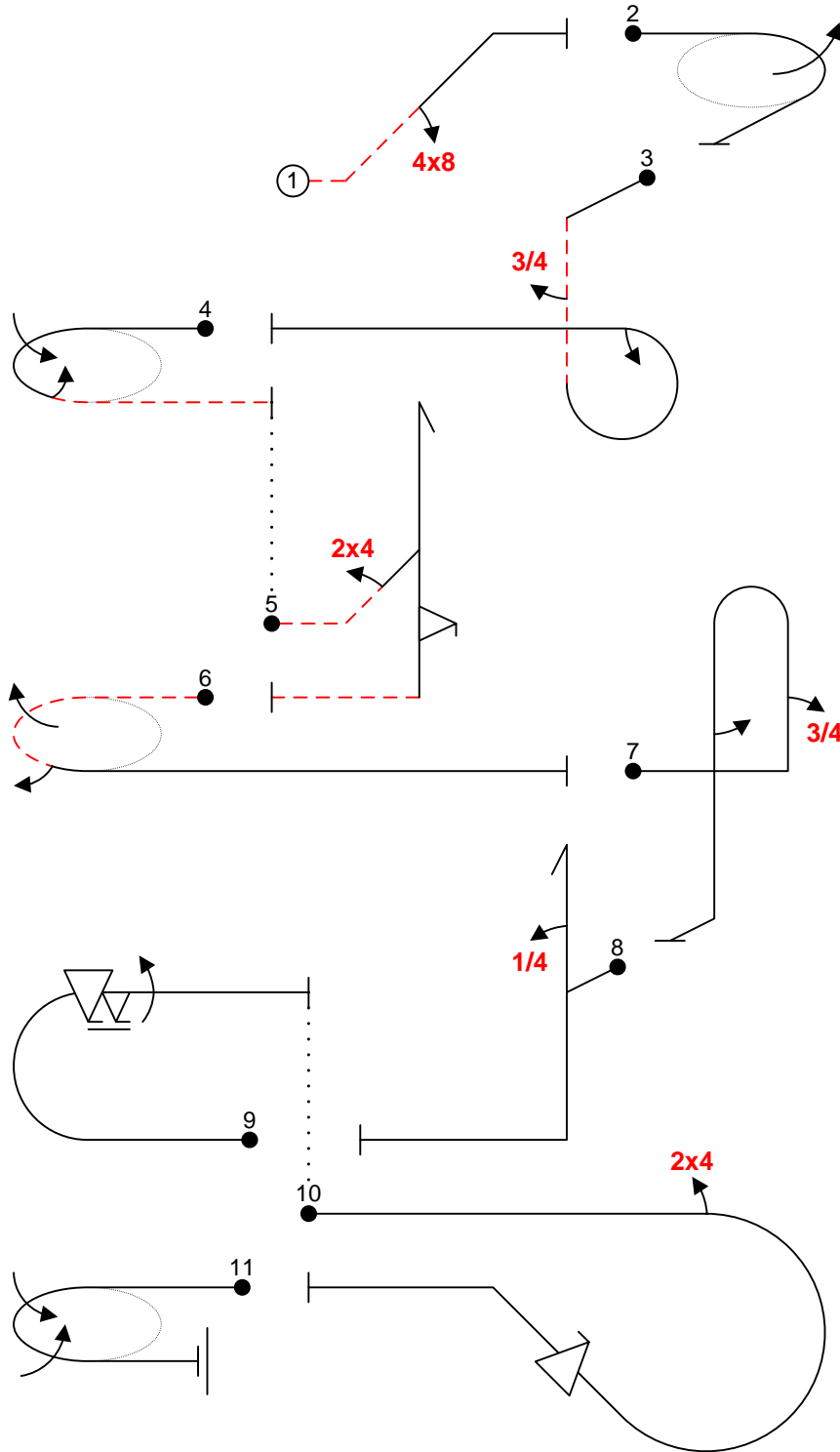
pilot



<b>B</b>	Contest:	Category: <b>Advanced</b>
Date:	Program: <b>Unknown</b>	Pilot's No. <input type="text"/>

wind direction

Pilot:



A/C:

(signature/date)

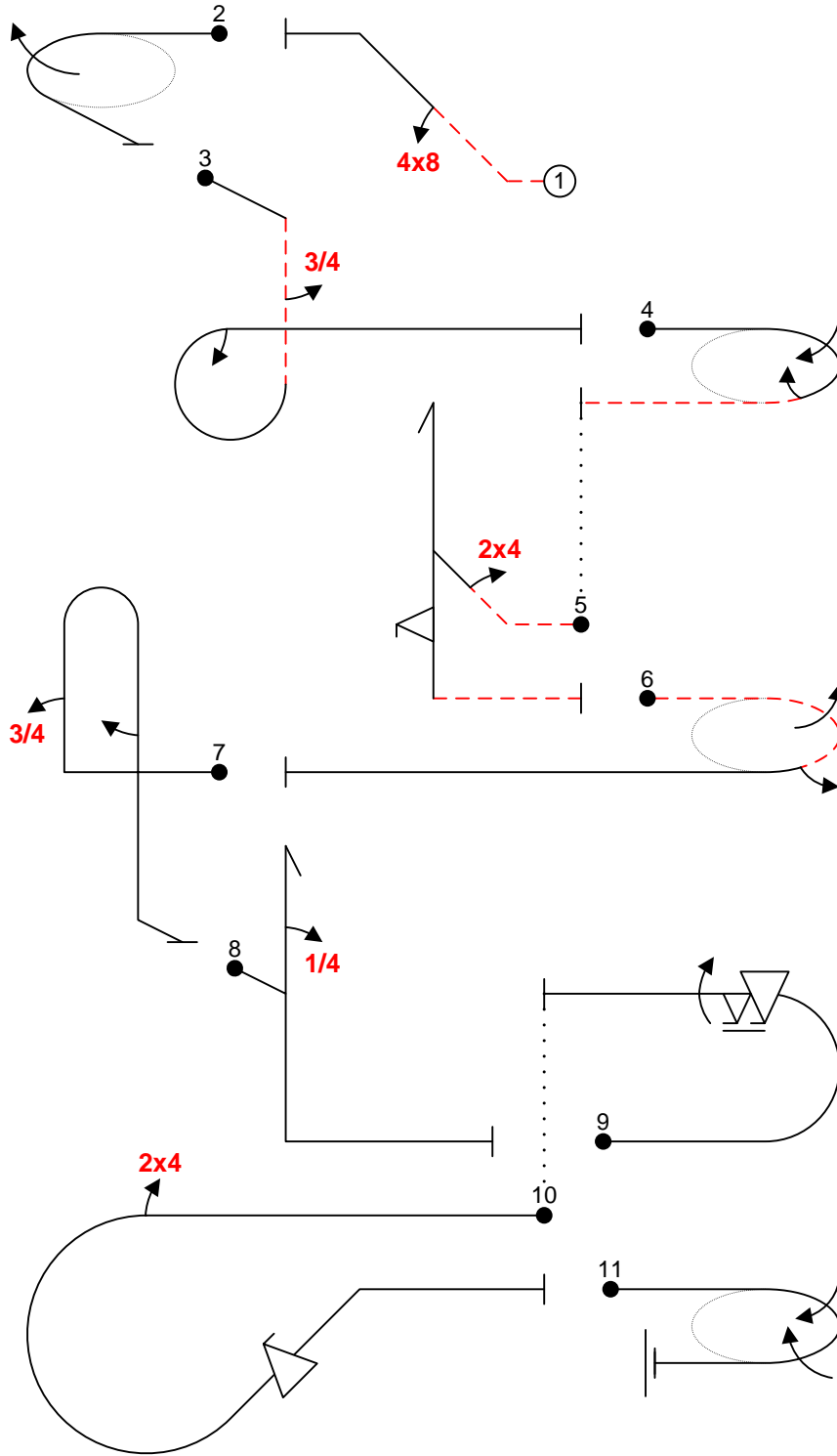
FREE PROGRAM CHECK BY:



<b>C</b>	Contest:	Category: <b>Advanced</b>
Date:	Program: <b>Unknown</b>	Pilot's No. <input type="text"/>

Pilot: \_\_\_\_\_

wind direction



A/C: \_\_\_\_\_

(signature/date)

FREE PROGRAM CHECK BY: \_\_\_\_\_