

INTERNATIONAL AEROBATIC CLUB SCORESHEET

A	Contest:	Date:	Category: Advanced	Programme: Unknown	pilot's number	

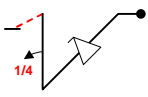

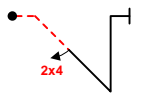
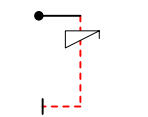
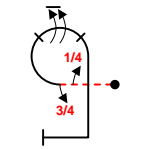
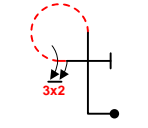
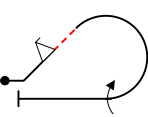
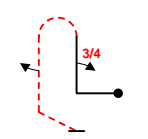
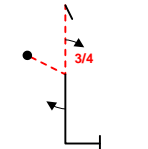
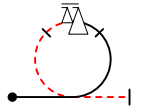
No	Symbol	Catalogue No.	K	Total K	Grade	Remarks	Item	K	Grade
1		1.13.3 9.9.4.4 9.1.1.1	12 11 6	29			Presentation	12	
2		2.8.2	31	31					
3		1.15.4 9.4.4.2	13 5	18					
4		1.7.3 9.11.1.4	11 5	16					
5		8.51.2 9.1.3.1 9.1.3.3 9.1.3.8	12 2 6 12	32					
6		8.40.1 9.2.3.6	14 12	26					
7		8.32.1 9.9.2.2 9.1.3.4	10 13 8	31					
8		8.4.1 9.1.1.3 9.1.5.2	16 10 4	30					
9		5.1.4 9.1.1.3 9.1.5.2	22 10 4	36					
10		7.6.1 9.9.3.6	12 14	26					

FIGURE TOTAL K = **275**

INCLUDING PRESENTATION = **287**

Aircraft Type:

FREE PROGRAM CHECKED BY:

Signature:	Date:
	IAC No.

Judge
Name
Number



pilot

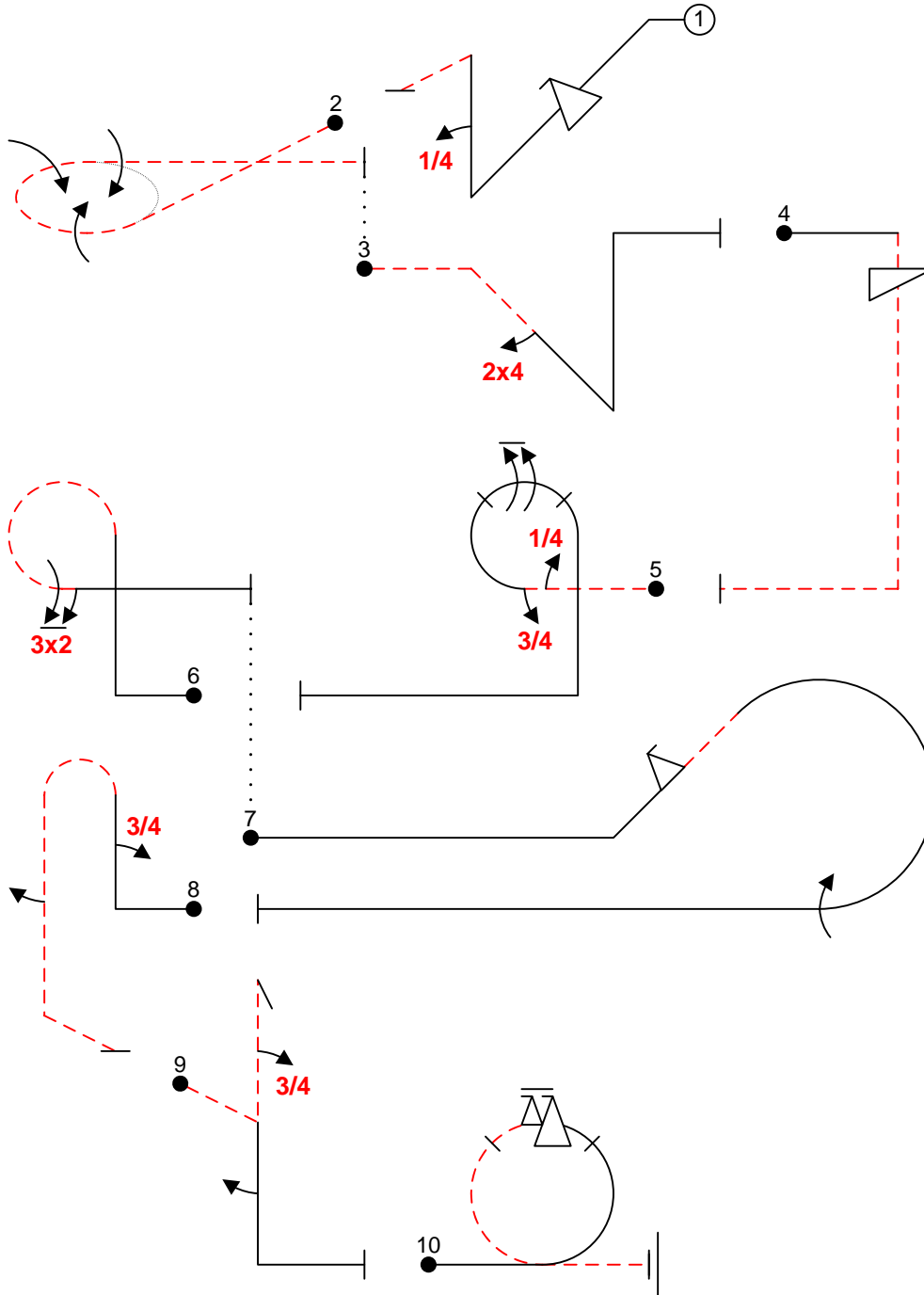


B	Contest:	Category: Advanced
Date:	Program: Unknown	Pilot's No. <input type="text"/>

wind direction

Pilot:

NOTE DOWNWIND ENTRY



A/C:

(signature/date)

FREE PROGRAM CHECK BY:

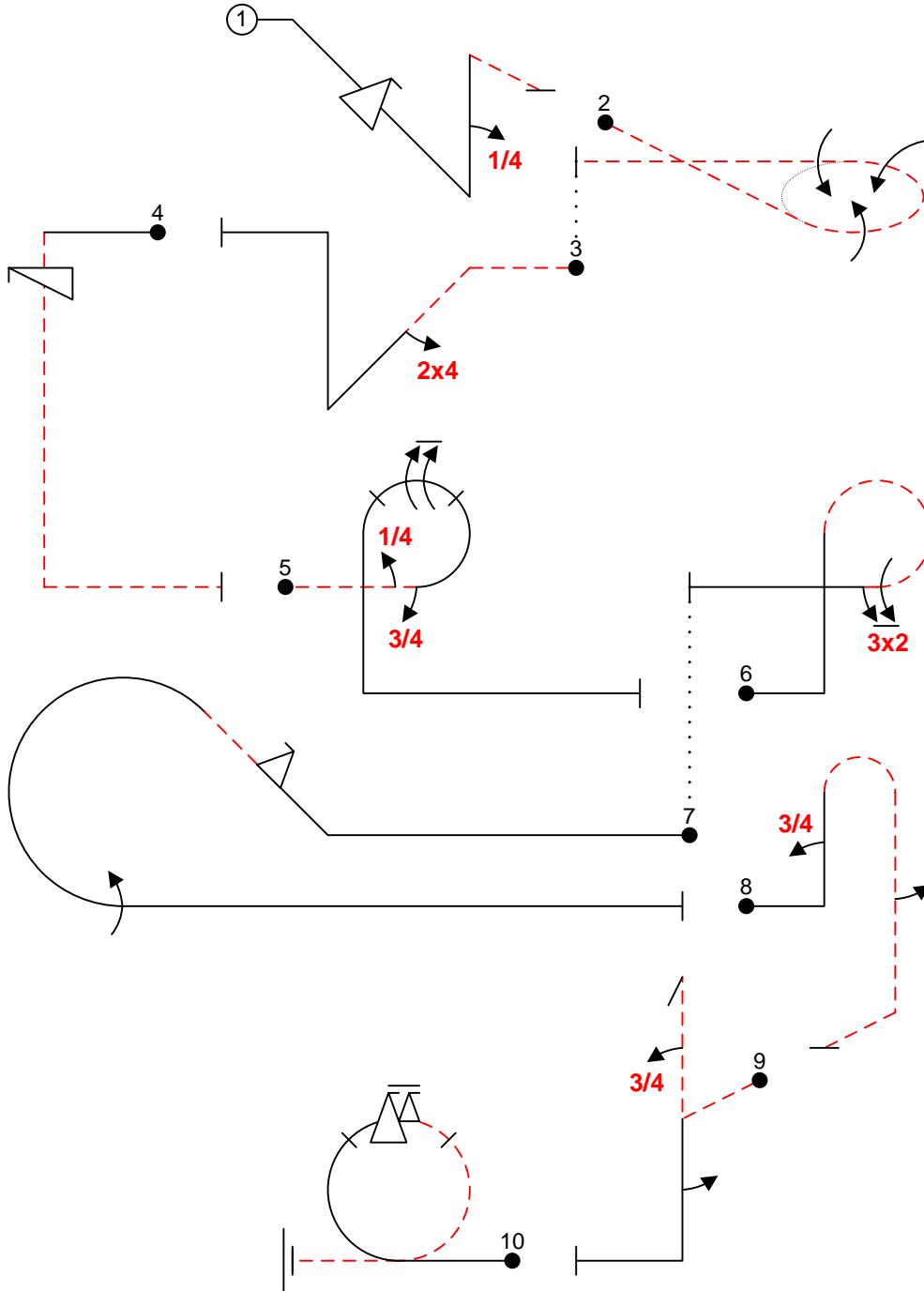


C	Contest:	Category: Advanced
Date:	Program: Unknown	Pilot's No. <input type="text"/>

Pilot: _____

wind direction

NOTE DOWNWIND ENTRY



A/C: _____

(signature/date)

FREE PROGRAM CHECK BY: _____