

INTERNATIONAL AEROBATIC CLUB SCORESHEET

A

Contest:	Date:	Category: Advanced	Programme: Unknown	pilot's number	
----------	-------	------------------------------	------------------------------	----------------	--

No	Symbol	Catalogue No.	K	Total K	Grade	Remarks	Item	K	Grade				
1		7.4.3 9.9.3.6 9.2.3.4 9.1.3.4 9.4.3.2	6 14 9 8 5	42			Presentation	12					
2		1.7.2 9.1.1.2	12 8	20			FIGURE TOTAL K =		267				
3		1.6.3 9.11.1.5	10 4	14			INCLUDING PRESENTATION =		279				
4		8.1.1 9.1.1.3 9.8.5.1	13 10 3	26			Aircraft Type:						
5		8.4.1 9.1.1.1	16 6	22			<p style="writing-mode: vertical-rl; transform: rotate(180deg);">FREE PROGRAM CHECKED BY:</p> <table border="1"> <tr> <td>Signature:</td> <td>Date:</td> </tr> <tr> <td>IAC No.</td> <td></td> </tr> </table>	Signature:	Date:	IAC No.			
Signature:	Date:												
IAC No.													
6		5.1.4 9.1.1.3 9.1.5.3	22 10 6	38				Judge					
7		7.2.1 9.1.3.8 9.8.3.2 9.4.3.4	6 12 7 11	36				Name					
8		1.13.3 9.1.4.4 9.1.1.1	12 8 6	26				Number					
9		2.6.4	25	25									
10		1.1.2 9.1.3.2 9.9.3.2	3 4 11	18									



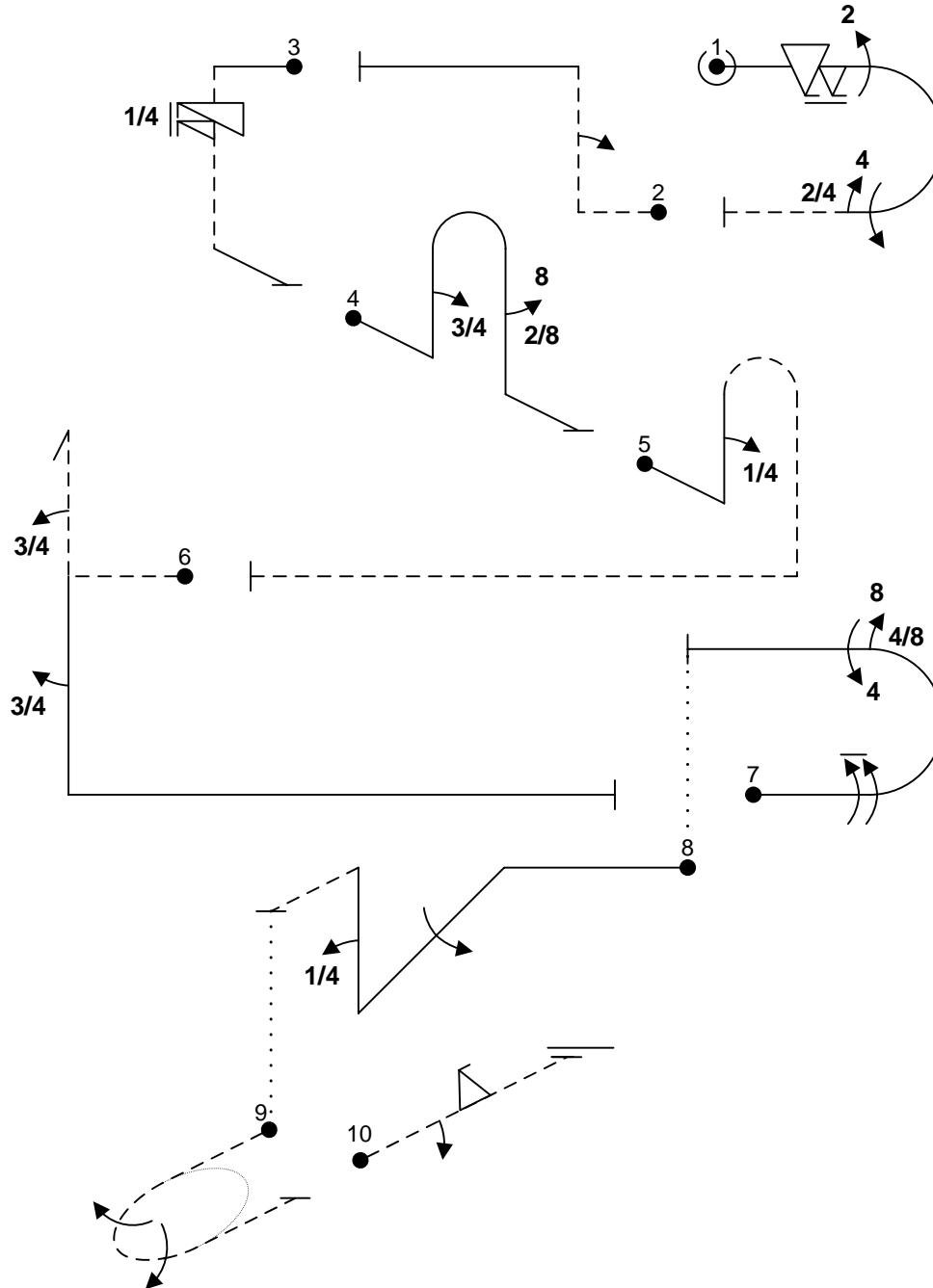
pilot



B	Contest:	Category: Advanced
Date:	Program: Unknown	Pilot's No. <input type="text"/>

wind direction

Pilot:



A/C:

(signature/date)

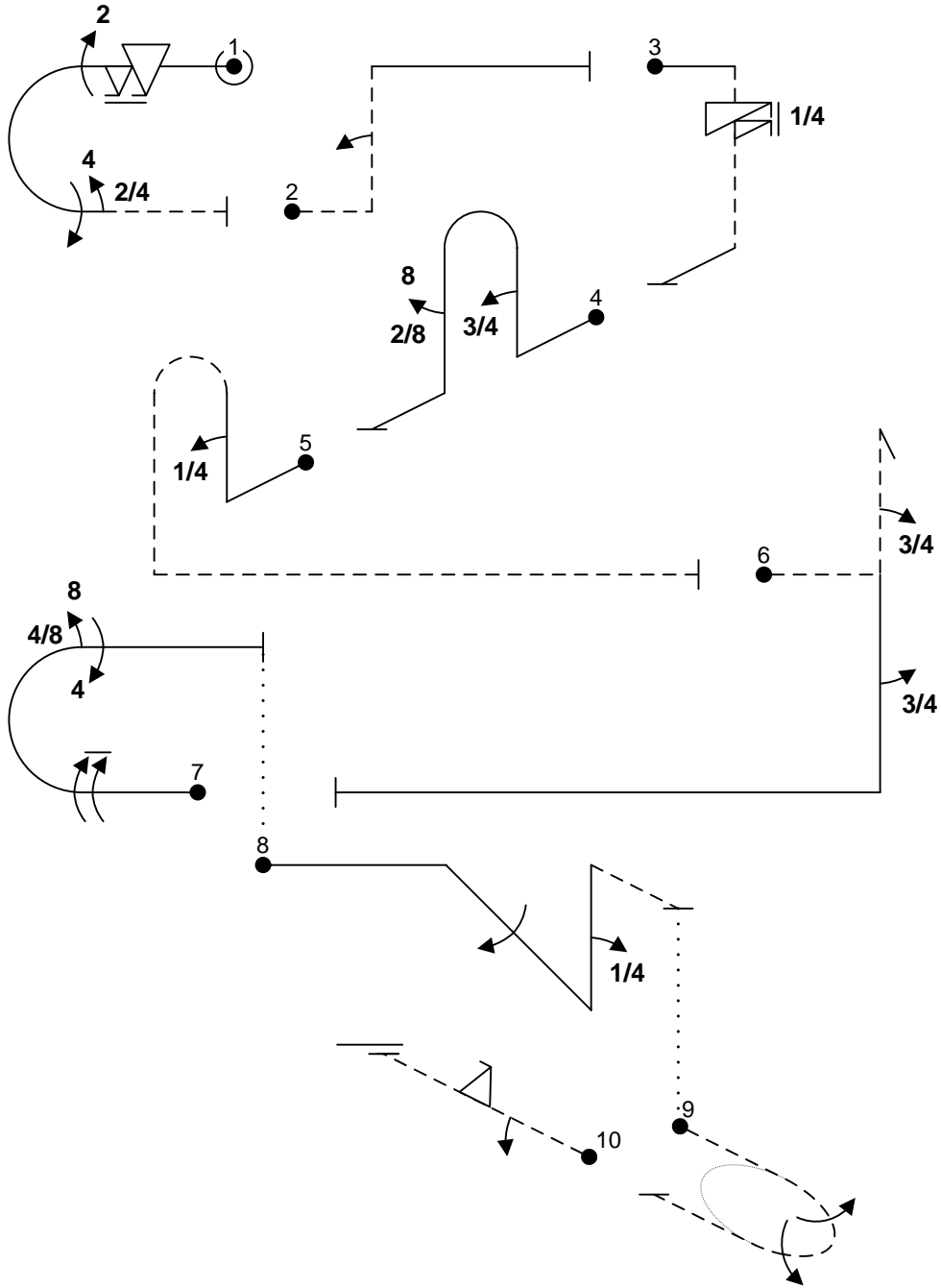
FREE PROGRAM CHECK BY:



C	Contest:	Category: Advanced
Date:	Program: Unknown	Pilot's No. <input type="text"/>

wind direction

Pilot: _____



A/C: _____

FREE PROGRAM CHECK BY: (signature/date) _____

FREE PROGRAM CHECK BY: (signature/date) _____