

INTERNATIONAL AEROBATIC CLUB SCORESHEET

<b>A</b>	Contest:	Date:	Category: <b>Advanced</b>	Programme: <b>Unknown</b>	pilot's number	

No	Symbol	Catalogue No.	K	Total K	Grade	Remarks	Item	K	Grade
1		5.1.1 9.1.1.3 9.1.5.1	17 10 2	29			<b>Presentation</b>	<b>12</b>	
2		8.33.1 9.1.1.2 9.4.3.4	11 8 11	30					
3		8.15.1 9.8.2.2 9.9.4.4	12 9 11	32					
4		8.2.1 9.1.1.2 9.4.5.2	14 8 5	27					
5		5.1.4 9.8.5.1	22 3	25					
6		7.2.1 9.1.3.6	6 10	16					
7		2.8.1	30	30					
8		7.3.3 9.9.3.6	6 14	20					
9		8.1.1 9.1.1.1 9.1.5.3	13 6 6	25					
10		8.47.1 9.4.3.2	12 5	17					
11		8.32.1 9.9.2.2	10 13	23					

FIGURE TOTAL K = **274**

INCLUDING PRESENTATION = **286**

Aircraft Type:

FREE PROGRAM CHECKED BY:

Signature:	Date:
	IAC No.

Judge
Name
Number



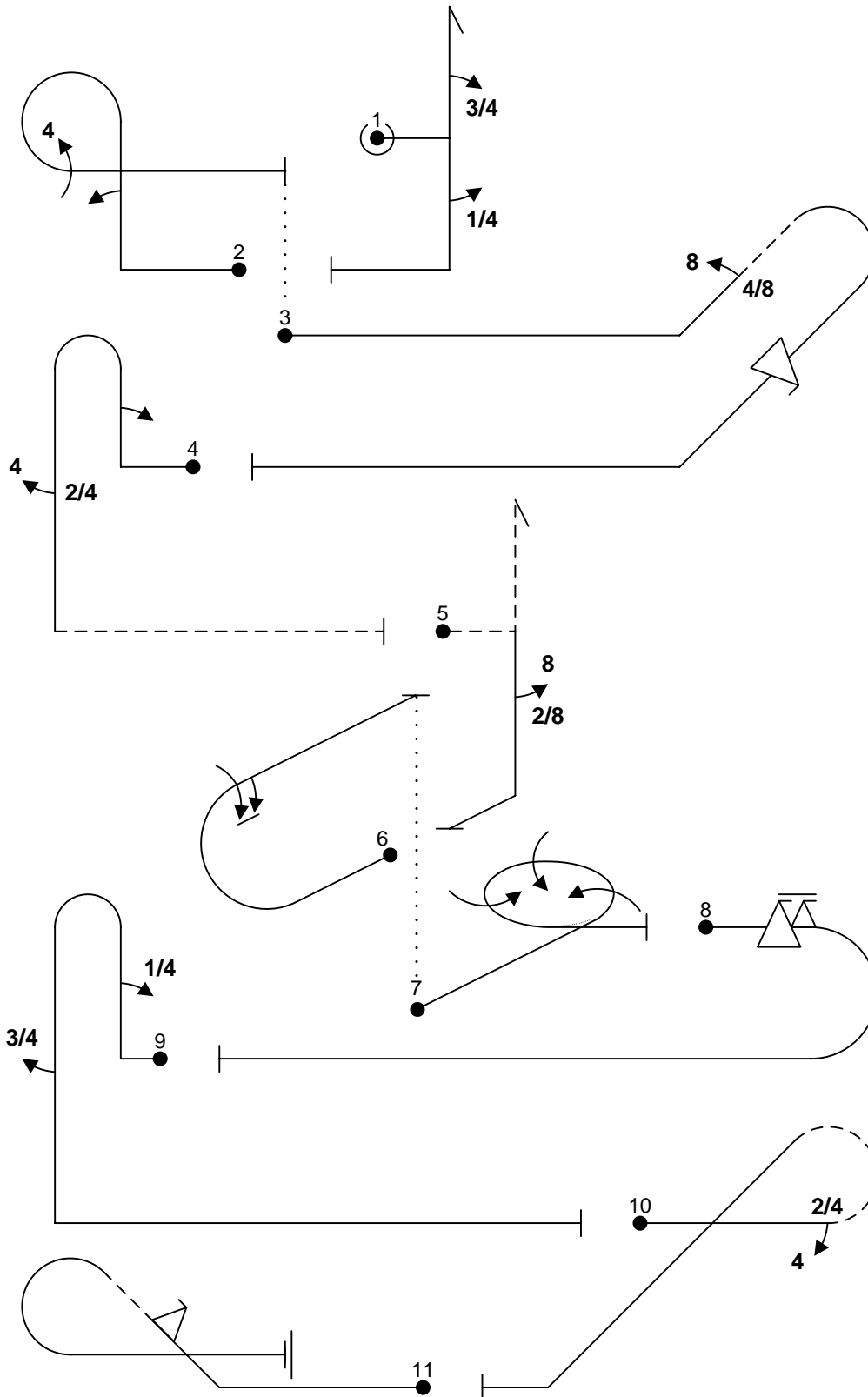
pilot



<b>B</b>	Contest:	Category: <b>Advanced</b>
Date:	Program: <b>Unknown</b>	Pilot's No. <input type="text"/>

wind direction

Pilot:



A/C:

(signature/date)

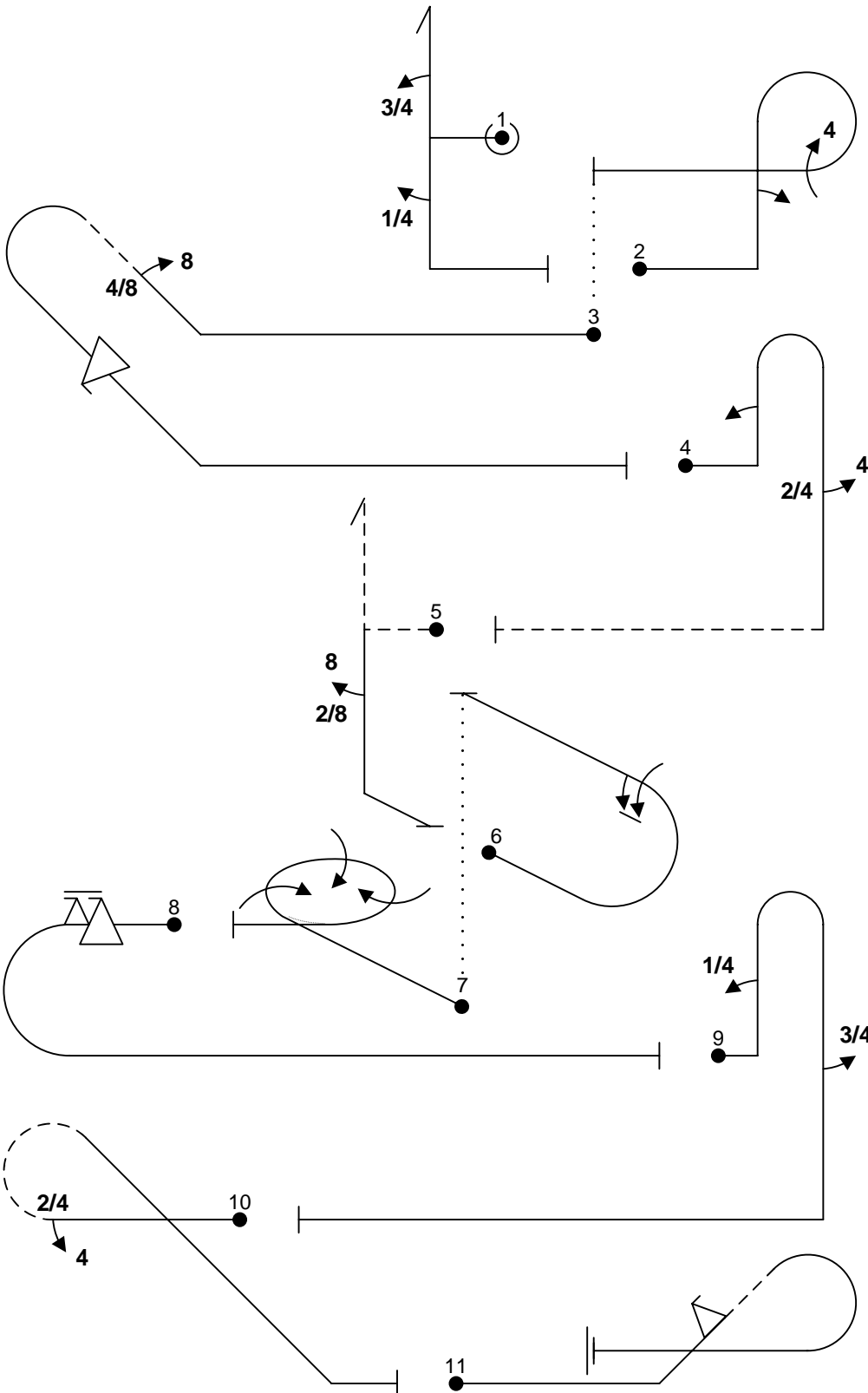
FREE PROGRAM CHECK BY:



<b>C</b>	Contest:	Category: <b>Advanced</b>
Date:	Program: <b>Unknown</b>	Pilot's No. <input type="text"/>

Pilot: \_\_\_\_\_

wind direction



A/C: \_\_\_\_\_

FREE PROGRAM CHECK BY: (signature/date) \_\_\_\_\_