

INTERNATIONAL AEROBATIC CLUB SCORESHEET

A	Contest:	Date:	Category:	Programme:	pilot's number	
			Advanced	Unknown		

No	Symbol	Catalogue No.	K	Total K	Score	Remarks
1		1.6.3 9.11.1.6	10 3	13		
2		8.2.1 9.1.1.3 9.1.5.1	14 10 2	26		
3		5.1.4 9.1.1.2 9.4.5.2	22 8 5	35		
4		8.1.1 9.9.5.3	13 11	24		
5		1.6.1 9.1.1.1	10 6	16		
6		7.1.3 9.2.3.4	8 9	17		
7		8.2.2 9.1.5.2	17 4	21		
8		7.1.1 9.9.3.4	6 11	17		
9		2.10.2	21	21		
10		7.1.4 9.4.3.4 9.2.3.4 9.1.3.4	6 11 9 8	34		
11		8.3.1 9.4.1.2	15 9	24		
12		7.7.1 9.1.3.4	14 8	22		

Positioning	K	Score
	12	

FIGURE TOTAL K = 270

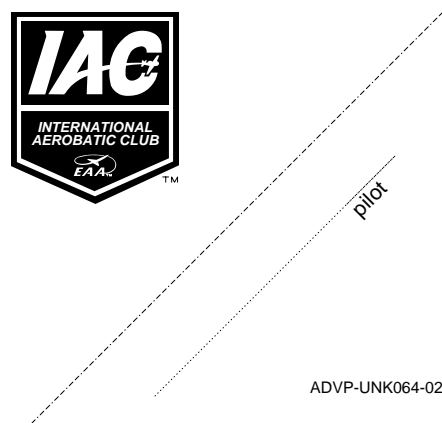
INCLUDING POSITIONING = 282

Aircraft Type:

FREE PROGRAM CHECKED BY:

Signature:	Date:
IAC No.	

Judge
Name
Number

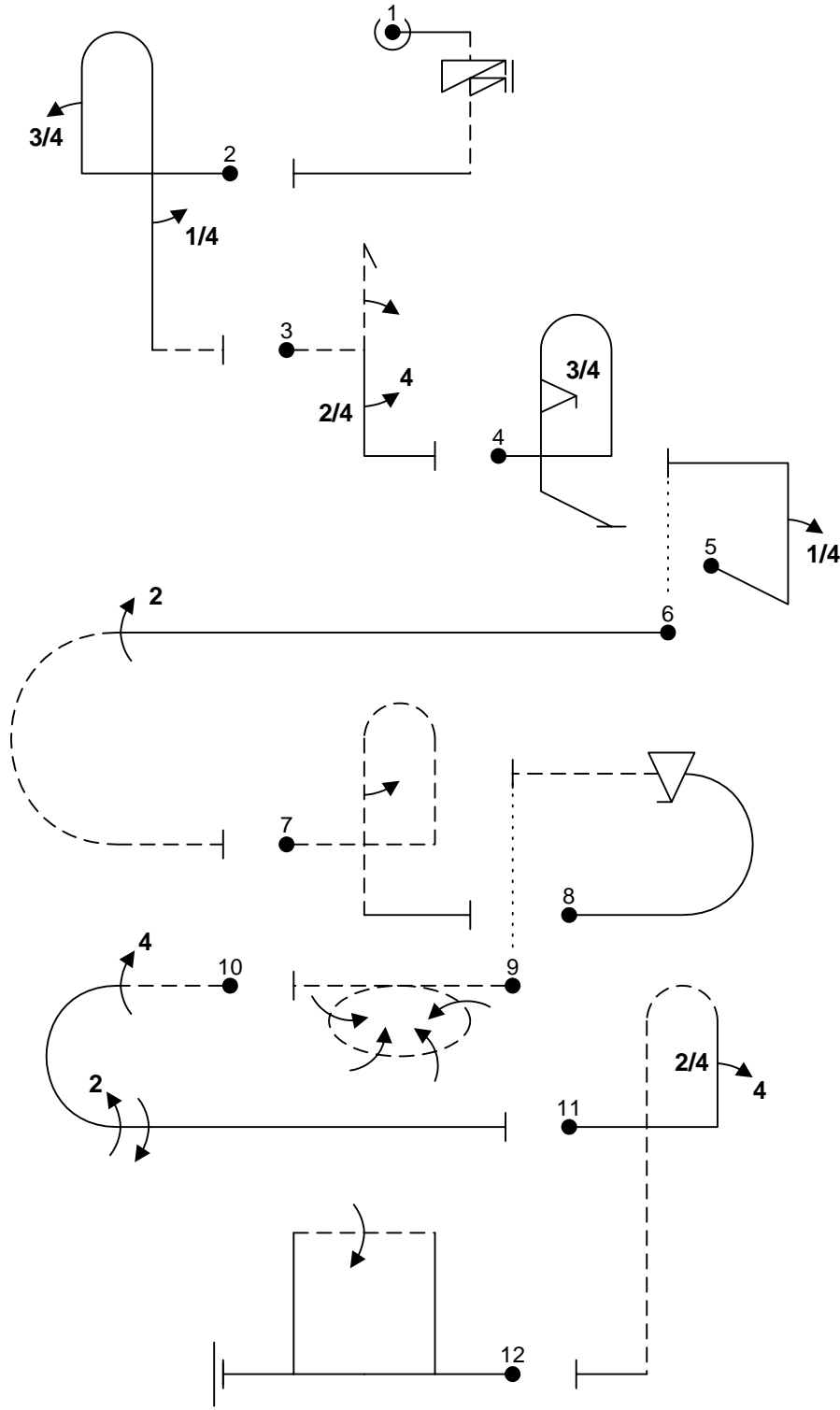




B	Contest:	Category: Advanced
Date:	Program: Unknown	Pilot's No. <input type="text"/>

wind direction

Pilot:



A/C:

(signature/date)

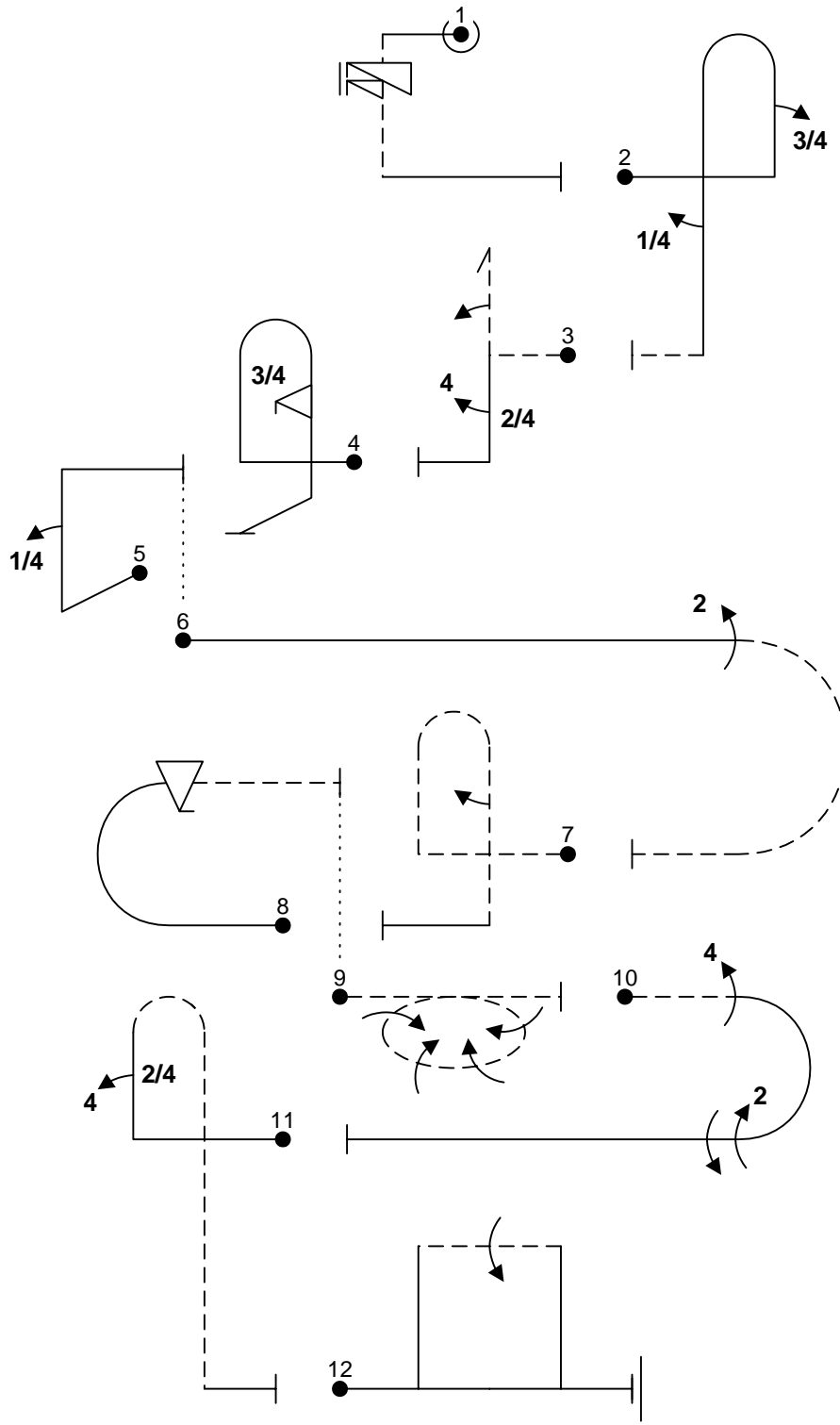
FREE PROGRAM CHECK BY:



C	Contest:	Category: Advanced
Date:	Program: Unknown	Pilot's No. <input type="text"/>

wind direction

Pilot:



A/C:

(signature/date)

FREE PROGRAM CHECK BY: