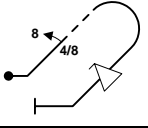
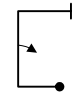
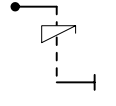
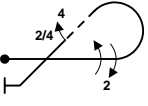
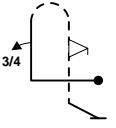
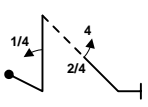
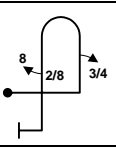
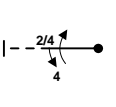
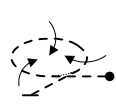

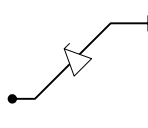


INTERNATIONAL AEROBATIC CLUB SCORESHEET

A	Contest:	Date:	Category:	Programme:	pilot's number	
			Advanced	Unknown		

No	Symbol	Catalogue No.	K	Total K	Score	Remarks	Item	K	Score	
1		8.15.1 9.8.2.2 9.9.4.4	12 9 11	32			Positioning	12		
2		1.6.1 9.1.1.2	10 8	18			FIGURE TOTAL K =		274	
3		1.6.3 9.11.1.4	10 5	15			INCLUDING POSITIONING =		286	
4		8.42.1 9.1.3.4 9.2.3.4 9.4.4.2	10 8 9 5	32			Aircraft Type:			
5		8.3.1 9.1.1.3 9.9.10.2	15 10 13	38			FREE PROGRAM CHECKED BY: <div style="display: flex; justify-content: space-between; border: 1px solid black; padding: 5px;"> <div style="width: 45%; border-right: 1px solid black; padding-right: 5px;">Signature:</div> <div style="width: 45%; padding-left: 5px;">Date:</div> </div> <div style="display: flex; justify-content: space-between; border: 1px solid black; padding: 5px; margin-top: 5px;"> <div style="width: 45%; border-right: 1px solid black; padding-right: 5px;">IAC No.</div> <div style="width: 45%; padding-left: 5px;"></div> </div>			
6		1.18.1 9.1.1.1 9.4.4.2	13 6 5	24						
7		8.1.1 9.1.1.3 9.8.5.1	13 10 3	26						
8		1.1.3 9.1.3.4 9.4.3.2	2 8 5	15						
9		2.8.2	18	18						
10		5.1.4 9.1.1.2 9.1.5.3	22 8 6	36						
11		1.2.1 9.9.2.4	7 13	20						
12										

Judge	
Name	
Number	



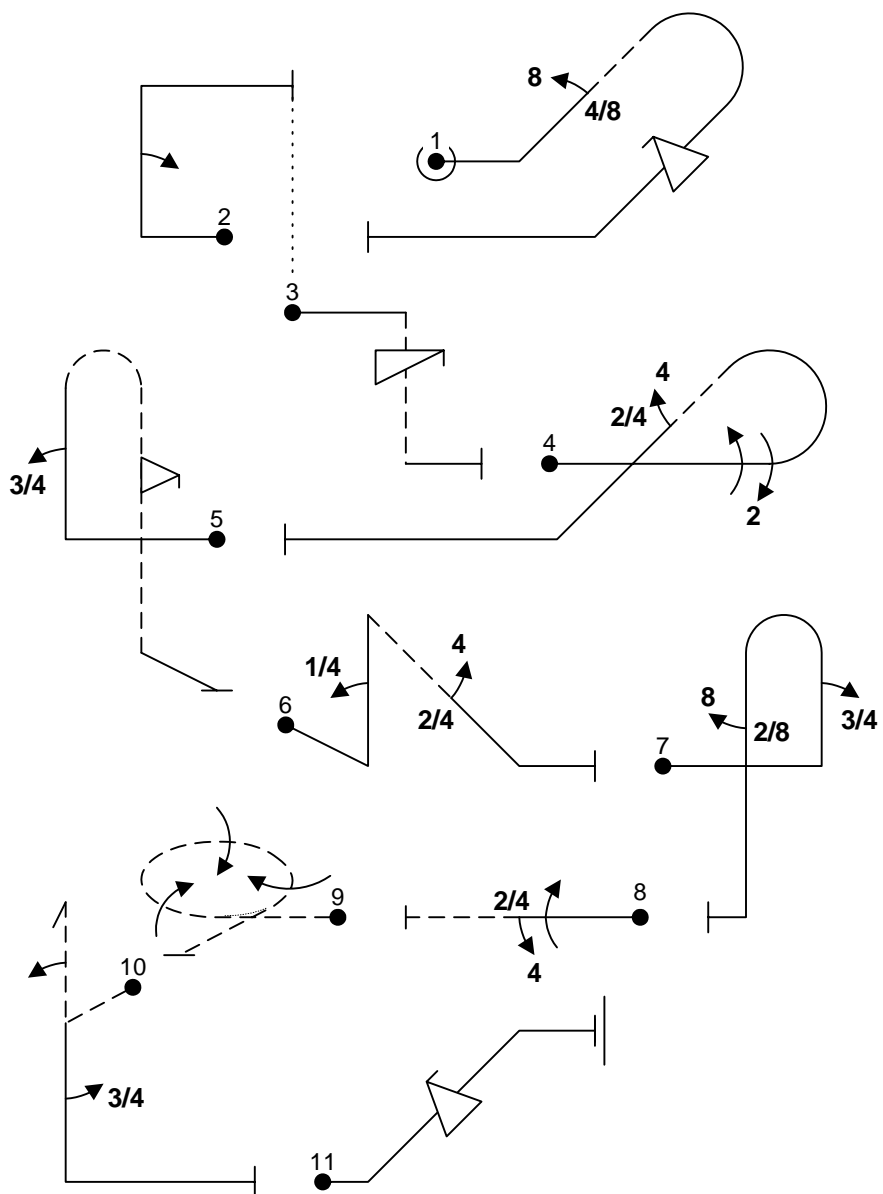
pilot



B	Contest:	Category: Advanced
Date:	Program: Unknown	Pilot's No. <input type="text"/>

wind direction

Pilot:



A/C:

(signature/date)

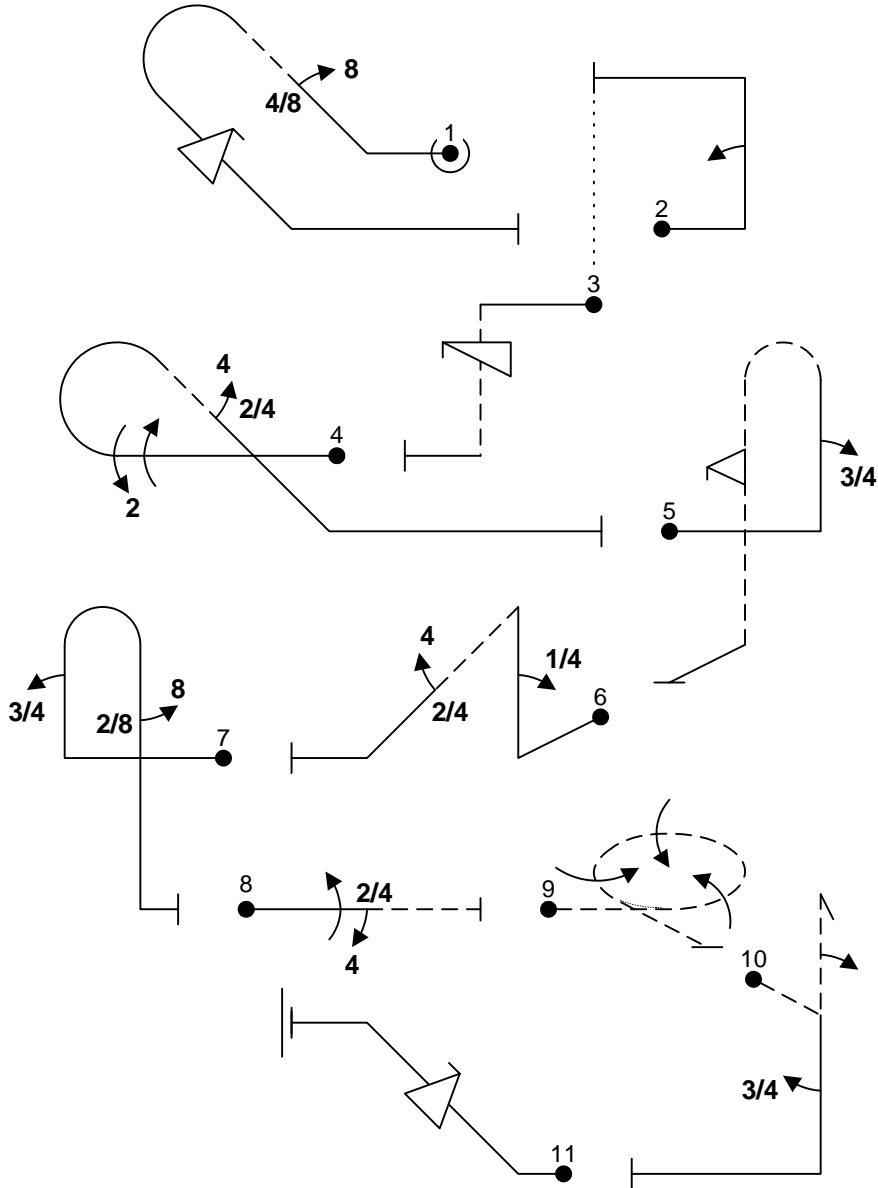
FREE PROGRAM CHECK BY:



C	Contest:	Category: Advanced
Date:	Program: Unknown	Pilot's No. <input type="text"/>

wind direction

Pilot: _____



A/C: _____

(signature/date) _____

FREE PROGRAM CHECK BY: _____