

A	INTERNATIONAL AEROBATIC CLUB SCORESHEET				Contest:			Date:		Category		Programme		pilot's number	
										Advanced		Unknown			
No	Symbol	Catalog No	K	Tot. K	Score	Remarks	No	Symbol	Catalog No	K	Tot. K	Score	Remarks		
1		1.2.1 9.9.2.4	7 13	20			13								
2		1.7.3 9.11.1.4	11 5	16			14								
3		7.1.2 9.4.3.4	8 11	19			15								
4		1.15.3 9.4.4.2	14 5	19			16								
5		1.7.4 9.9.5.3	9 11	20			17								
6		5.1.1 9.1.1.2 9.1.5.1	17 8 2	27			18								
7		7.1.1 9.1.3.4	6 8	14			POSITIONING				12				
8		2.10.2	21	21			FIGURE TOTAL K =				230				
9		8.44.2 9.1.3.4 9.1.5.3	15 8 6	29			INCLUDING POSITIONING =				242				
10		1.6.1 9.1.1.1	10 6	16			JUDGE'S NAME								
11		8.18.1 9.4.4.2	14 5	19			JUDGE'S NUMBER								
12		2.3.1	10	10			FREE PROGRAM CHECKED BY:								
							AIRCRAFT TYPE								



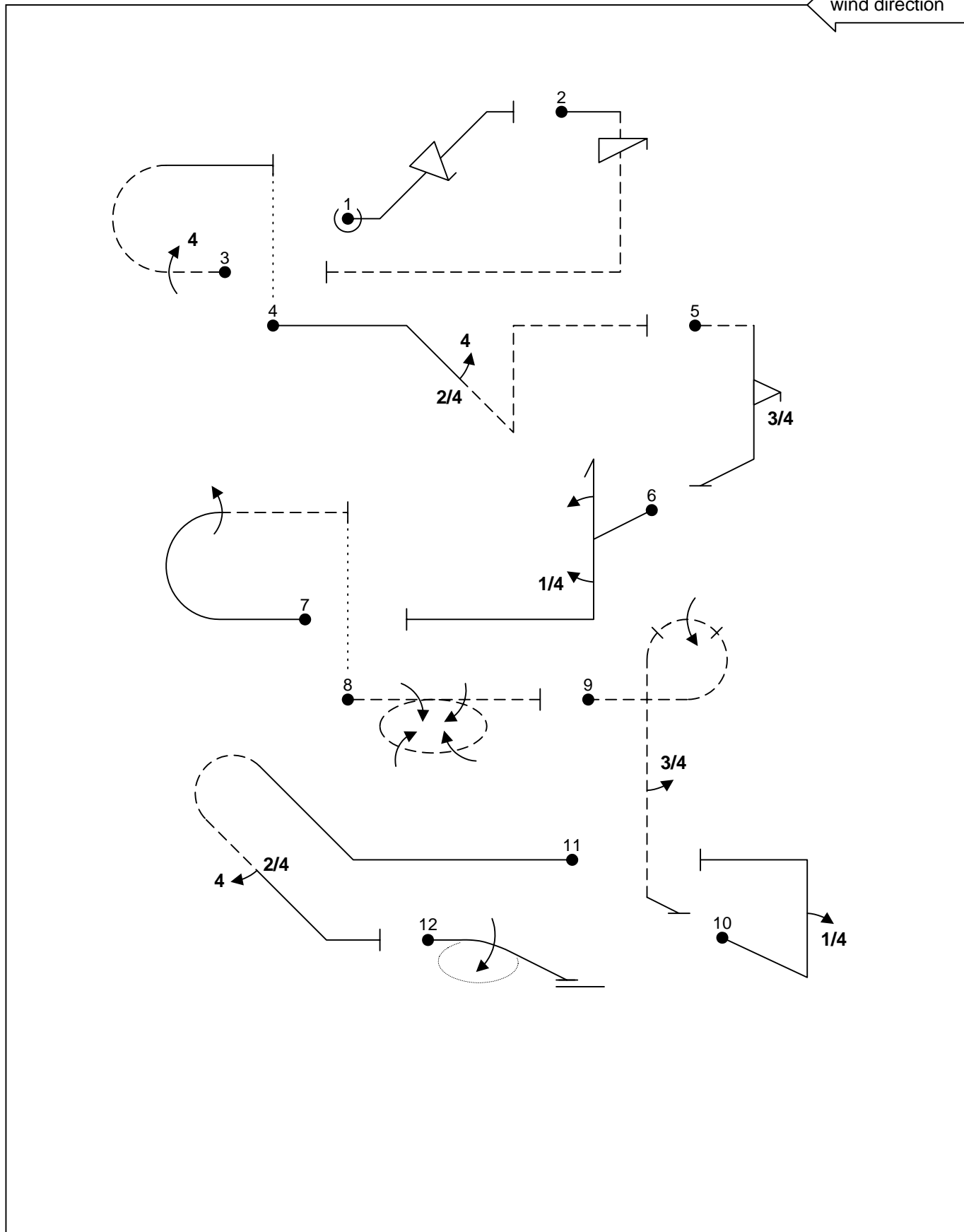
pilot's name
(print)



B	Contest:		Category:	Advanced	
Date:		Prog:	Unknown	pilot's number	

wind direction

Pilot:



A/C:

(signature/date)

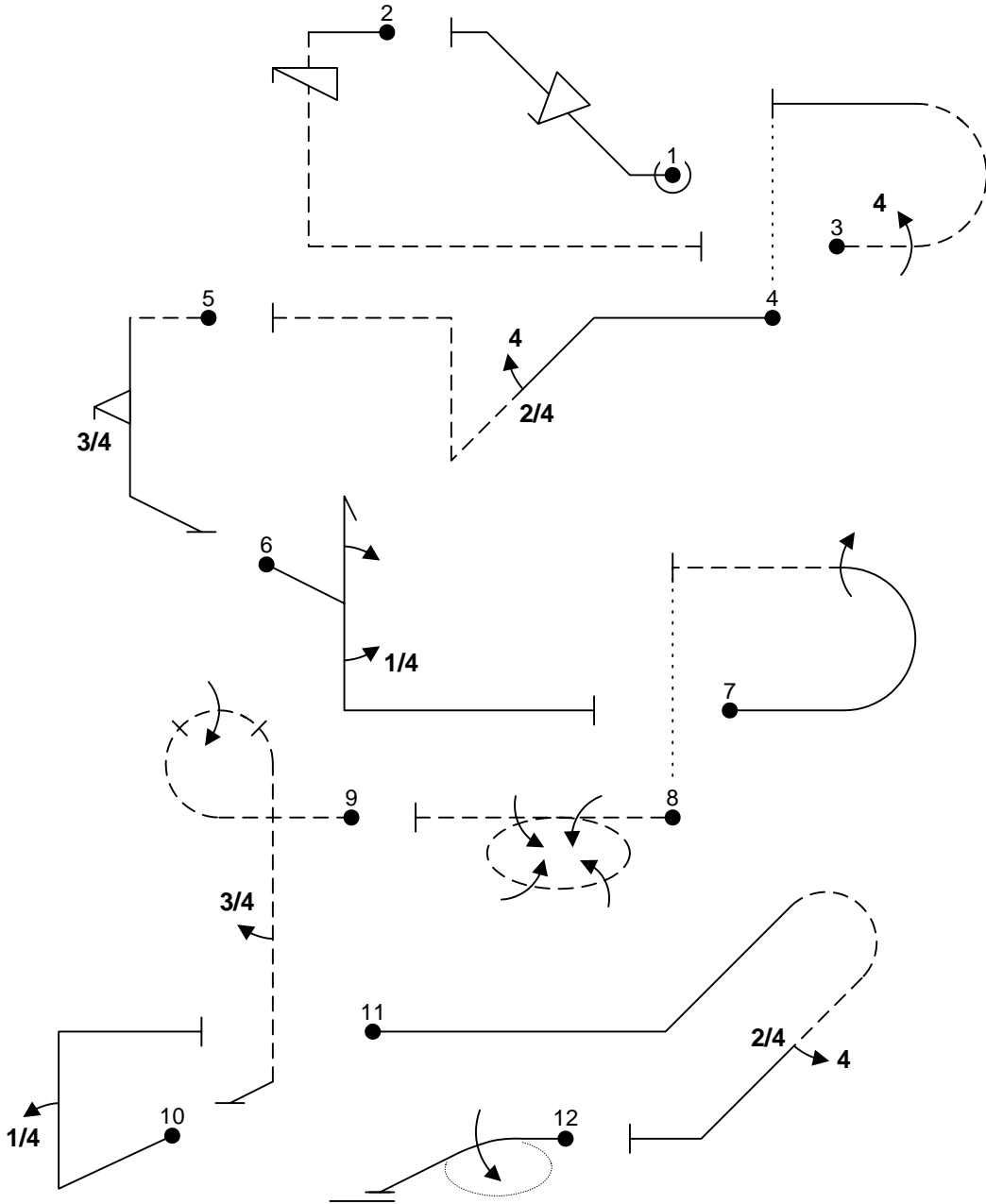
FREE PROGRAM CHECK BY:



C	Contest:		Category:	Advanced	
Date:		Prog:	Unknown	pilot's number	

Pilot:

wind direction



A/C:

(signature/date)

FREE PROGRAM CHECK BY: