

INTERNATIONAL AEROBATIC CLUB SCORESHEET												Contest:		Date:		Category		Programme		pilot's number		Remarks	
A	INTERNATIONAL AEROBATIC CLUB SCORESHEET											Advanced		Unknown		Score		Score		Remarks			
	No	Symbol	Catalog No	K	Tot. K	Score	Remarks	No	Symbol	Catalog No	K	Tot. K	Score	Score	Score	Score	Score	Score	Score	Score			
1		1.15.1 9.8.2.2	13 9	22			13																
2		5.1.4 9.4.1.2	22 9	31			14																
3		7.1.1 9.1.3.8 9.9.3.4	6 12 11	29			15																
4		1.6.4 9.11.2.4	10 6	16			16																
5		8.4.2 9.1.1.2 9.9.5.3	14 8 11	33			17																
6		5.1.1 9.1.5.3	17 6	23			18																
7		1.2.1 9.9.2.4	7 13	20																			
8		1.7.3	11	11																			
9		5.1.4 9.1.1.1 9.1.5.1	22 6 2	30																			
10		1.1.1 9.4.3.2 9.1.3.6	2 5 10	17																			
11		2.8.1	17	17																			
12																							



FIGURE TOTAL K = **249**

INCLUDING POSITIONING = **261**

JUDGE'S NAME _____

JUDGE'S NUMBER _____

FREE PROGRAM CHECKED BY: _____

AIRCRAFT TYPE _____

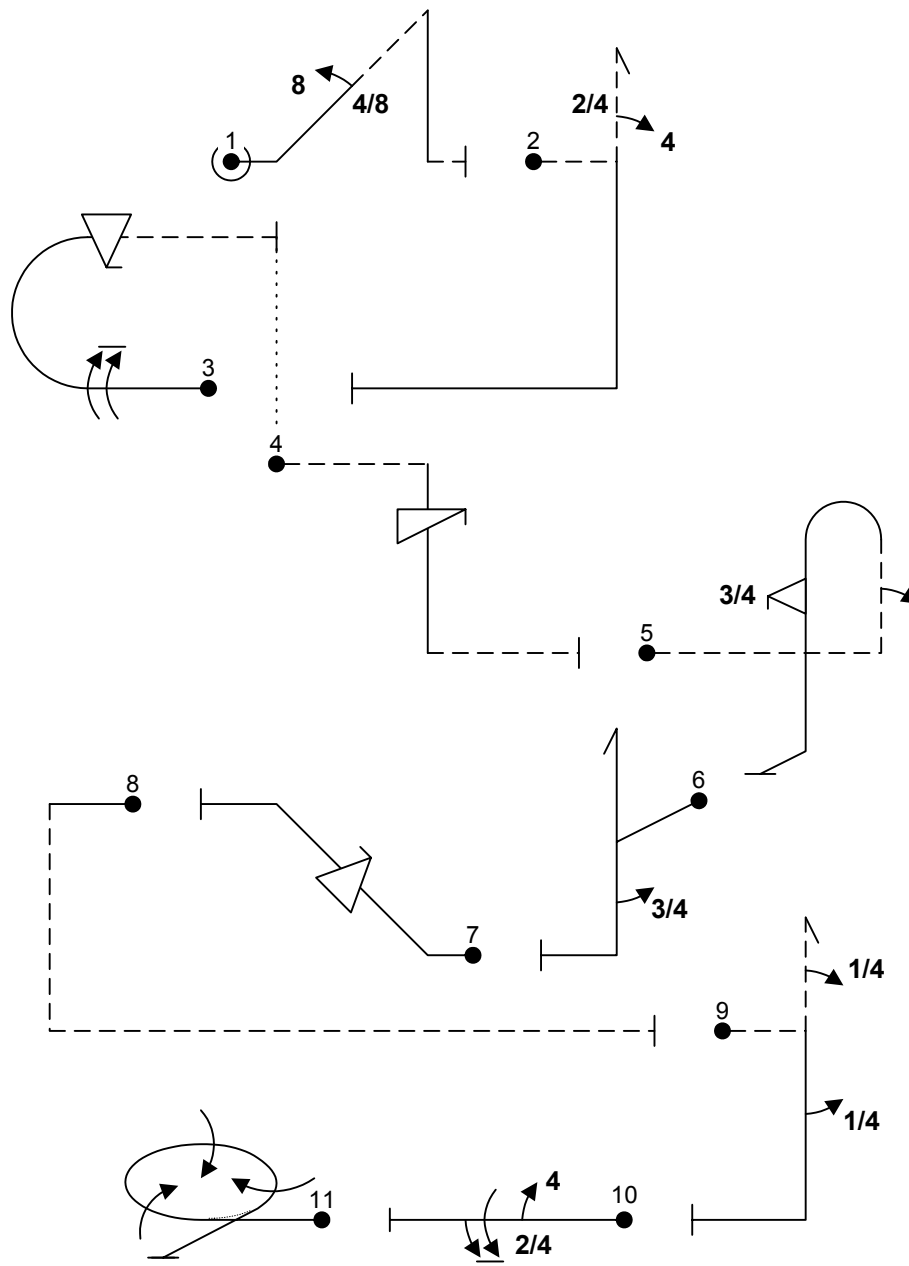
Pilot's name (print) _____



B	Contest:		Category:	Advanced	
Date:		Prog:	Unknown	pilot's number	

wind direction

Pilot:



A/C:

(signature/date)

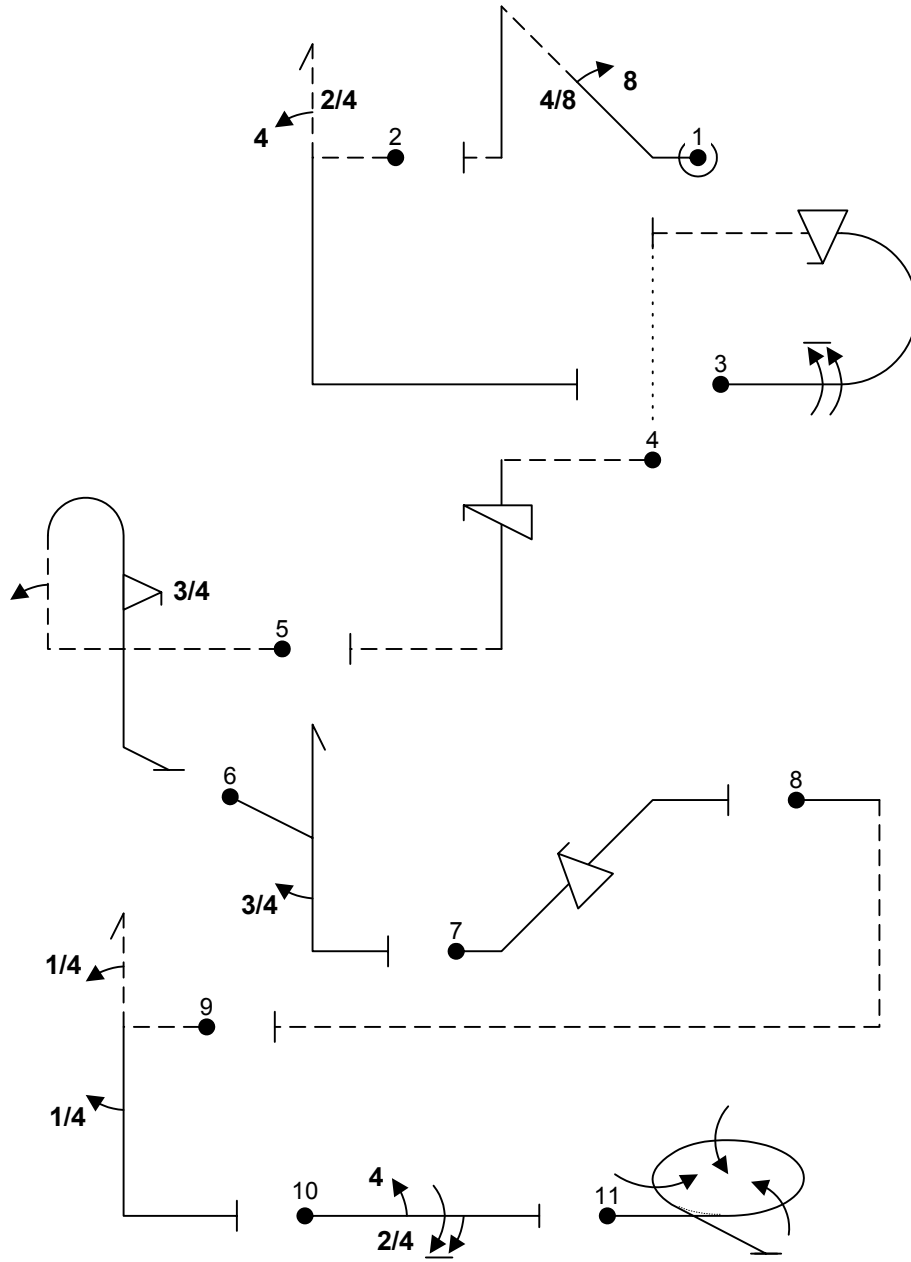
FREE PROGRAM CHECK BY:



C	Contest:		Category:	Advanced	
Date:		Prog:	Unknown	pilot's number	

Pilot:

wind direction



A/C:

(signature/date)

FREE PROGRAM CHECK BY: