

INTERNATIONAL AEROBATIC CLUB SCORESHEET														
A	Contest:						Date:		Category		Programme		pilot's number	Remarks
	No	Symbol	Catalog No	K	Tot. K	Score	Remarks	No	Symbol	Catalog No	K	Tot. K		
1		8.18.1 9.9.2.4 9.1.4.2	14 13 4	31	13									
2		7.1.1 9.2.3.8	6 15	21	14									
3		1.1.2 9.8.3.4	3 15	18	15									
4		5.1.4 9.1.1.2 9.9.5.3	22 8 11	41	16									
5		1.1.1 9.2.3.4	2 9	11	17									
6		5.1.1 9.1.1.1	17 6	23	18									
7		7.3.1 9.1.3.6 9.1.3.4	8 10 8	26										
8		1.6.3 9.11.1.5	10 4	14										
9		5.1.3 9.1.1.3 9.1.5.1	18 10 2	30										
10		2.1.4	7	7										
11		1.1.2 9.4.3.4	3 11	14										
12														



FIGURE TOTAL K = **236**

INCLUDING POSITIONING = **248**

JUDGE'S NAME _____

JUDGE'S NUMBER _____

FREE PROGRAM CHECKED BY: _____

AIRCRAFT TYPE _____

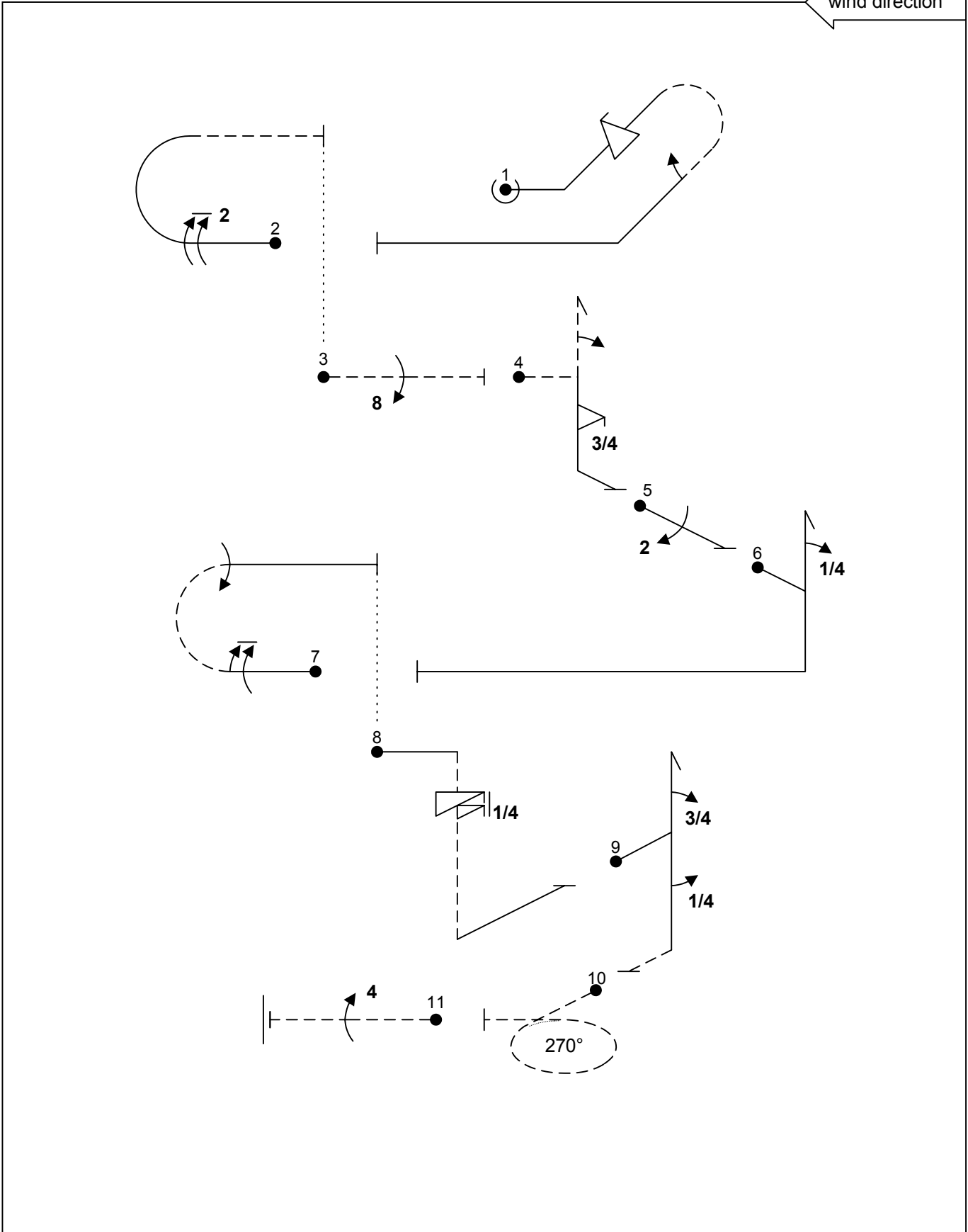
Pilot's name (print) _____



B	Contest:		Category:	Advanced
Date:		Prog:	Unknown	pilot's number

wind direction

Pilot:



A/C:

(signature/date)

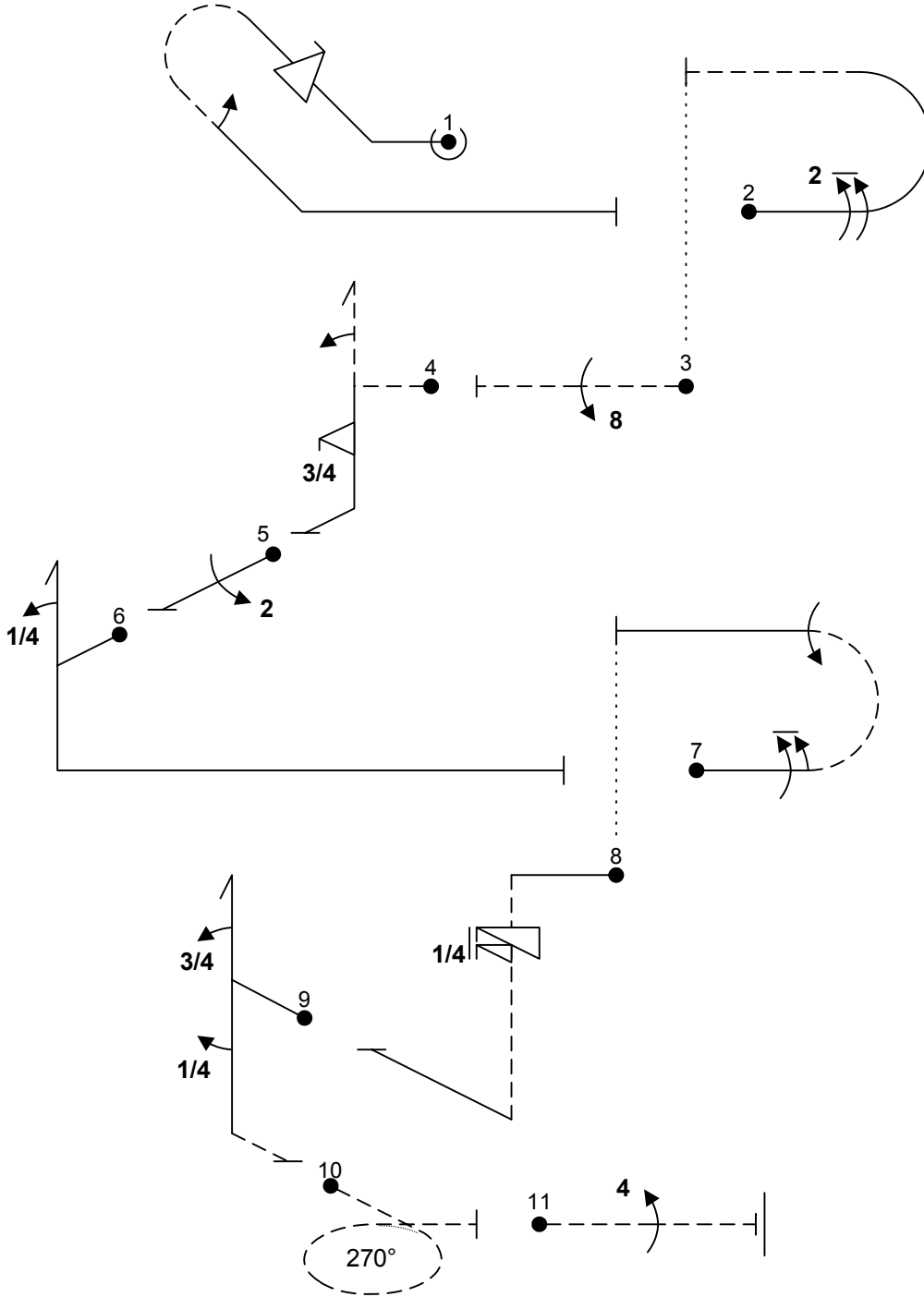
FREE PROGRAM CHECK BY:



C	Contest:		Category:	Advanced	
Date:		Prog:	Unknown	pilot's number	

Pilot:

wind direction



A/C:

(signature/date)

FREE PROGRAM CHECK BY: