

INTERNATIONAL AEROBATIC CLUB SCORESHEET														
A	Contest:			Date:			Category		Programme		pilot's number			
	No	Symbol	Catalog No	K	Tot. K	Score	Remarks	No	Symbol	Catalog No		K	Tot. K	Score
1		1.6.3 9.9.10.2	10 13	23				13						
2		8.32.1 9.9.2.2 9.1.3.2 9.1.3.6	10 13 4 10	37				14						
3		8.2.1 9.8.1.1	14 7	21				15						
4		5.1.4 9.1.1.3 9.4.5.2	22 10 5	37				16						
5		1.7.1 9.1.1.2	9 8	17				17						
6		1.7.4 9.12.2.4	9 8	17				18						
7		7.10.1	19	19								12		
POSITIONING														
FIGURE TOTAL K =												273		
INCLUDING POSITIONING =												285		
JUDGE'S NAME														
JUDGE'S NUMBER														
FREE PROGRAM CHECKED BY:														
AIRCRAFT TYPE														

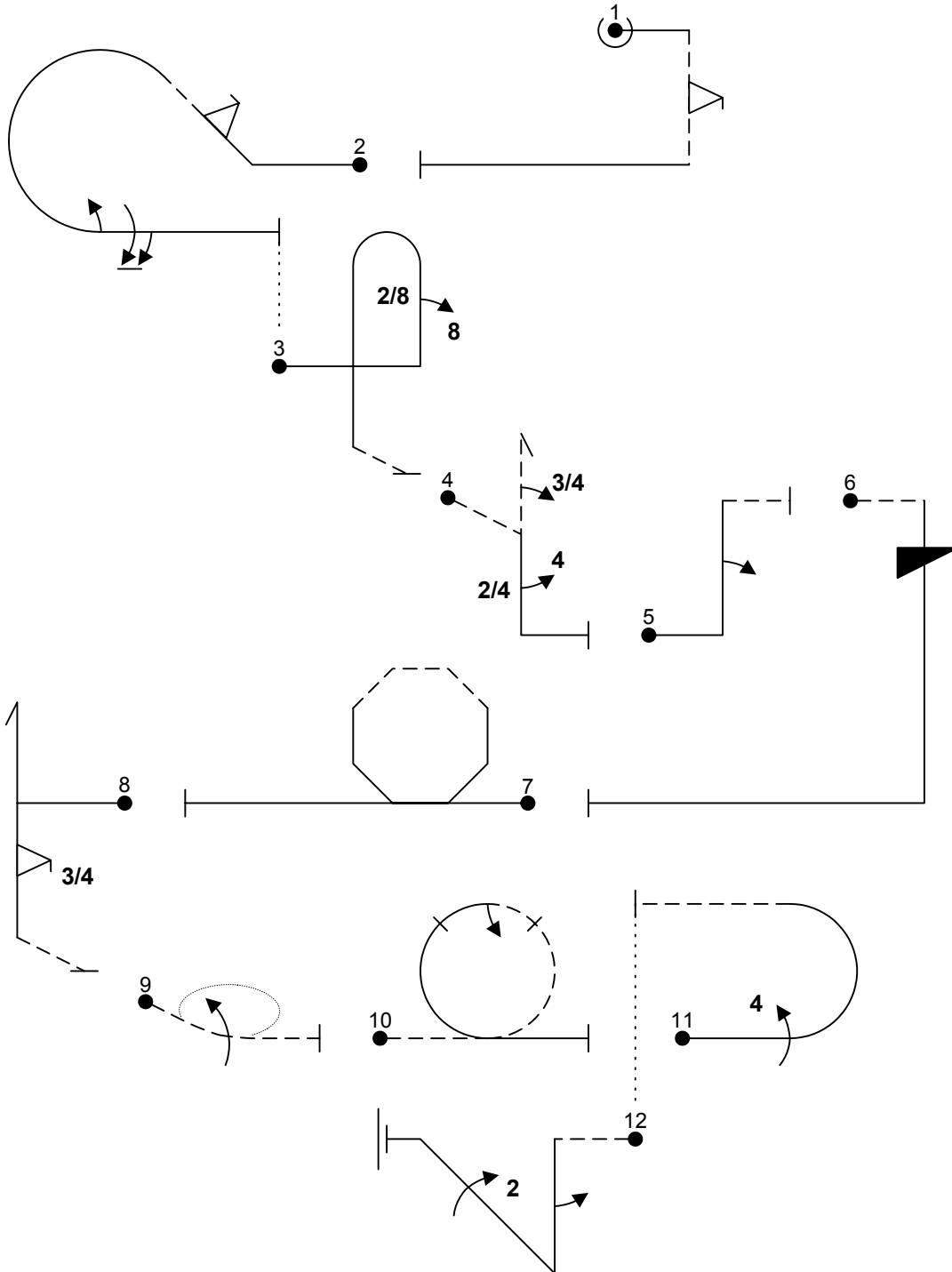




B	Contest:		Category:	Advanced	
Date:		Prog:	Unknown	pilot's number	

wind direction

Pilot:



A/C:

(signature/date)

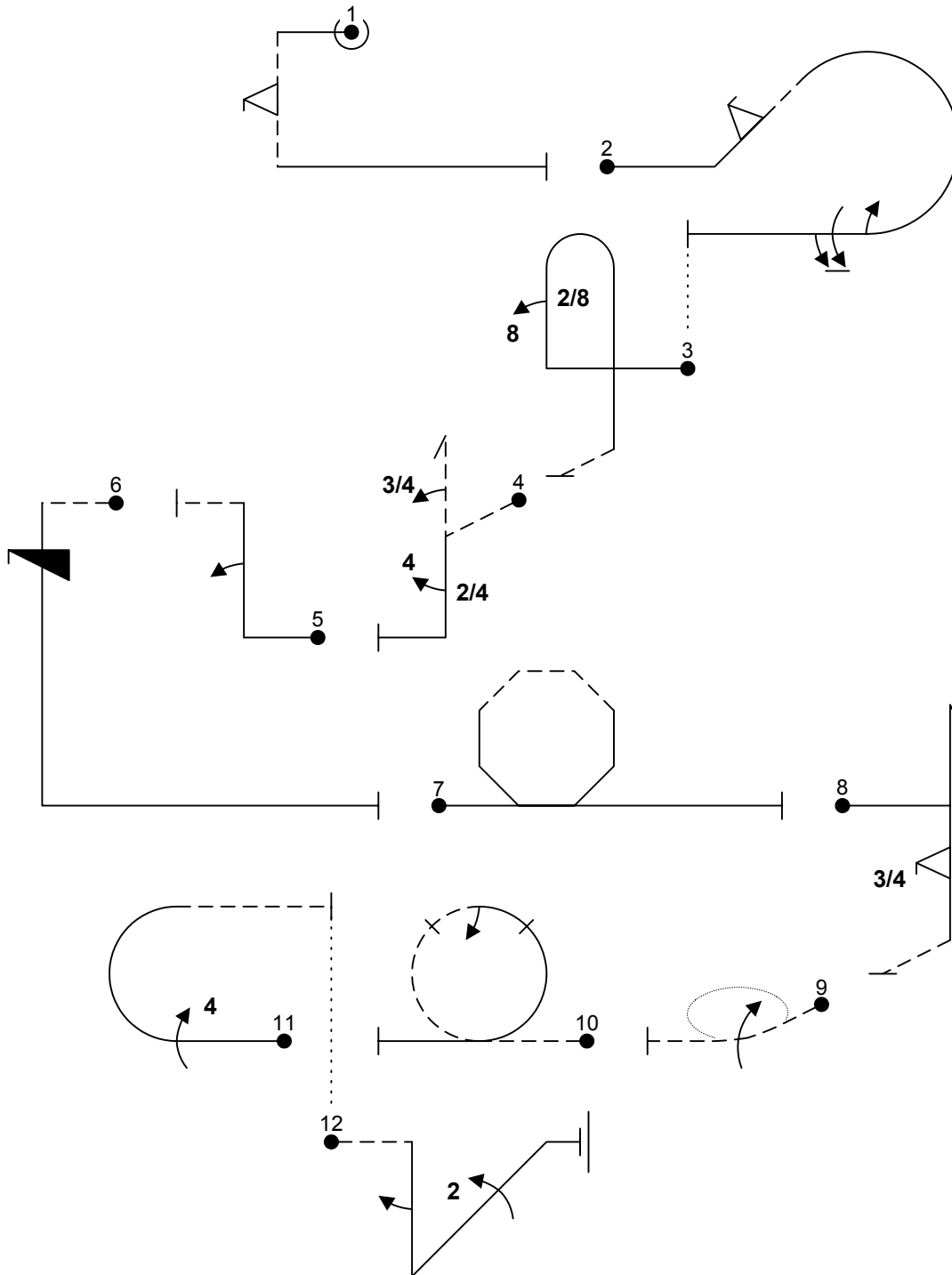
FREE PROGRAM CHECK BY:



C	Contest:		Category:	Advanced	
Date:		Prog:	Unknown	pilot's number	

Pilot:

wind direction



A/C:

(signature/date)

FREE PROGRAM CHECK BY: