

A	INTERNATIONAL AEROBATIC CLUB SCORESHEET				Contest:			Date:		Category		Programme		pilot's number	
										Advanced		Unknown			
No	Symbol	Catalog No	K	Tot. K	Score	Remarks	No	Symbol	Catalog No	K	Tot. K	Score	Remarks		
1		1.6.2 9.1.1.1	11 6	17			13								
2		1.1.2 9.1.3.4	3 8	11			14								
3		1.7.4 9.9.5.3	9 11	20			15								
4		7.1.1 9.2.3.4	6 9	15			16								
5		1.7.4 9.12.1.4	9 7	16			17								
6		7.26.1 9.4.4.2 9.1.4.2	19 5 4	28			18								
7		8.1.1 9.1.1.2 9.1.5.3	13 8 6	27			POSITIONING				12				
8		8.3.1 9.1.1.1 9.1.5.2	15 6 4	25			FIGURE TOTAL K =				265				
9		8.2.1 9.1.1.1 9.9.5.3	14 6 11	31			INCLUDING POSITIONING =				277				
10		8.41.2 9.1.3.4 9.9.4.4	12 8 11	31			JUDGE'S NAME								
11		5.1.1 9.8.1.1 9.1.5.1	17 7 2	26			JUDGE'S NUMBER								
12		7.5.1 9.1.3.4	10 8	18			FREE PROGRAM CHECKED BY:								
							AIRCRAFT TYPE								



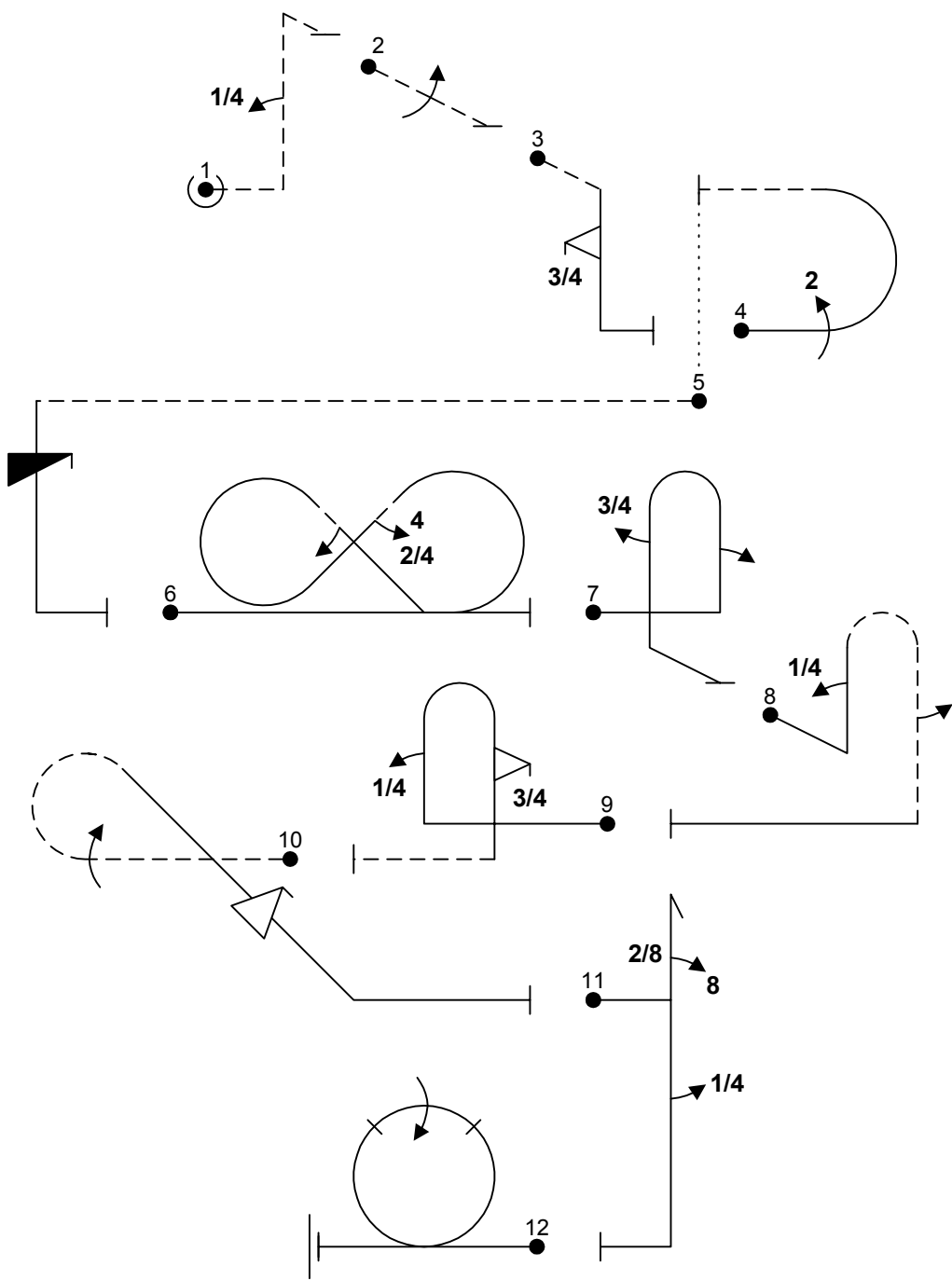
pilot's name
(print)



B	Contest:		Category:	Advanced	
Date:		Prog:	Unknown	pilot's number	

wind direction

Pilot:



A/C:

(signature/date)

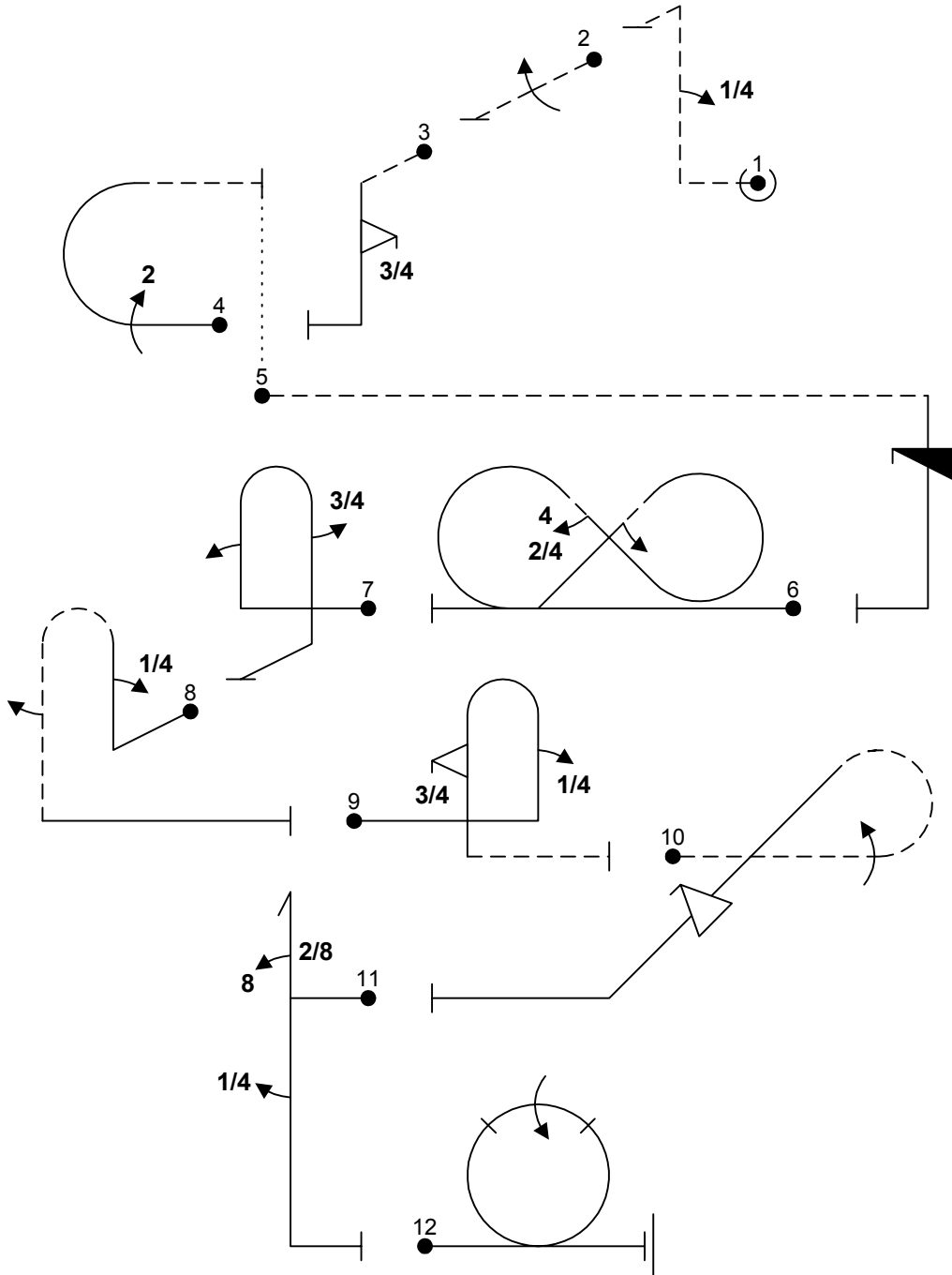
FREE PROGRAM CHECK BY:



C	Contest:		Category:	Advanced
Date:		Prog:	Unknown	pilot's number

Pilot:

wind direction



A/C:

(signature/date)

FREE PROGRAM CHECK BY: