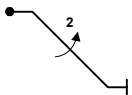
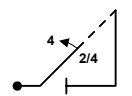
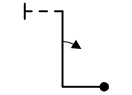
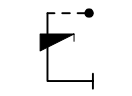
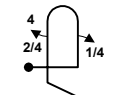
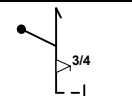
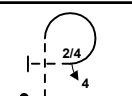
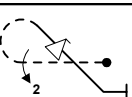
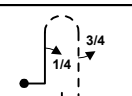
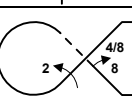
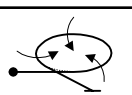


A	INTERNATIONAL AEROBATIC CLUB SCORESHEET				Contest:			Date:		Category		Programme		pilot's number	
										Advanced		Unknown			
No	Symbol	Catalog No	K	Tot. K	Score	Remarks	No	Symbol	Catalog No	K	Tot. K	Score	Remarks		
1		1.2.3 9.2.4.4	7 9	16			13								
2		1.14.1 9.4.2.2	12 7	19			14								
3		1.7.1 9.1.1.2	9 8	17			15								
4		1.7.4 9.12.2.4	9 8	17			16								
5		8.1.1 9.1.1.1 9.4.5.2	13 6 5	24			17								
6		5.1.3 9.9.5.3	18 11	29			18								
7		8.40.2 9.4.3.2	13 5	18			POSITIONING				12				
8		8.41.2 9.2.3.4 9.9.4.4	12 9 11	32			FIGURE TOTAL K =				250				
9		8.3.1 9.1.1.1 9.1.5.3	15 6 6	27			INCLUDING POSITIONING =				262				
10		7.20.1 9.8.2.2 9.2.2.4	14 9 11	34			JUDGE'S NAME _____								
11		2.8.1	17	17			JUDGE'S NUMBER _____								
12							FREE PROGRAM CHECKED BY: _____								
							AIRCRAFT TYPE _____								



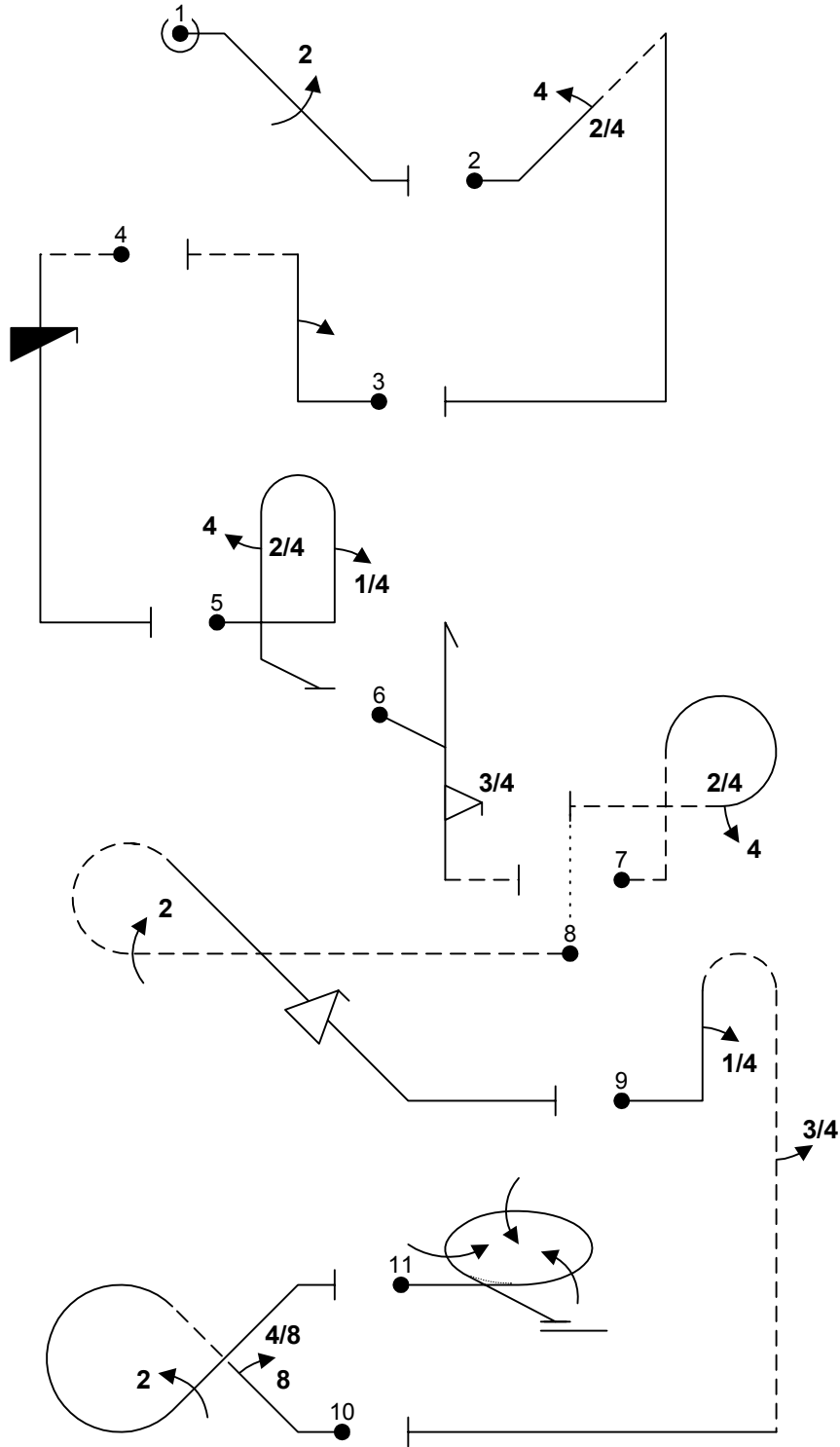
pilot's name
(print)



B	Contest:		Category:	Advanced
Date:		Prog:	Unknown	pilot's number

wind direction

Pilot:



A/C:

(signature/date)

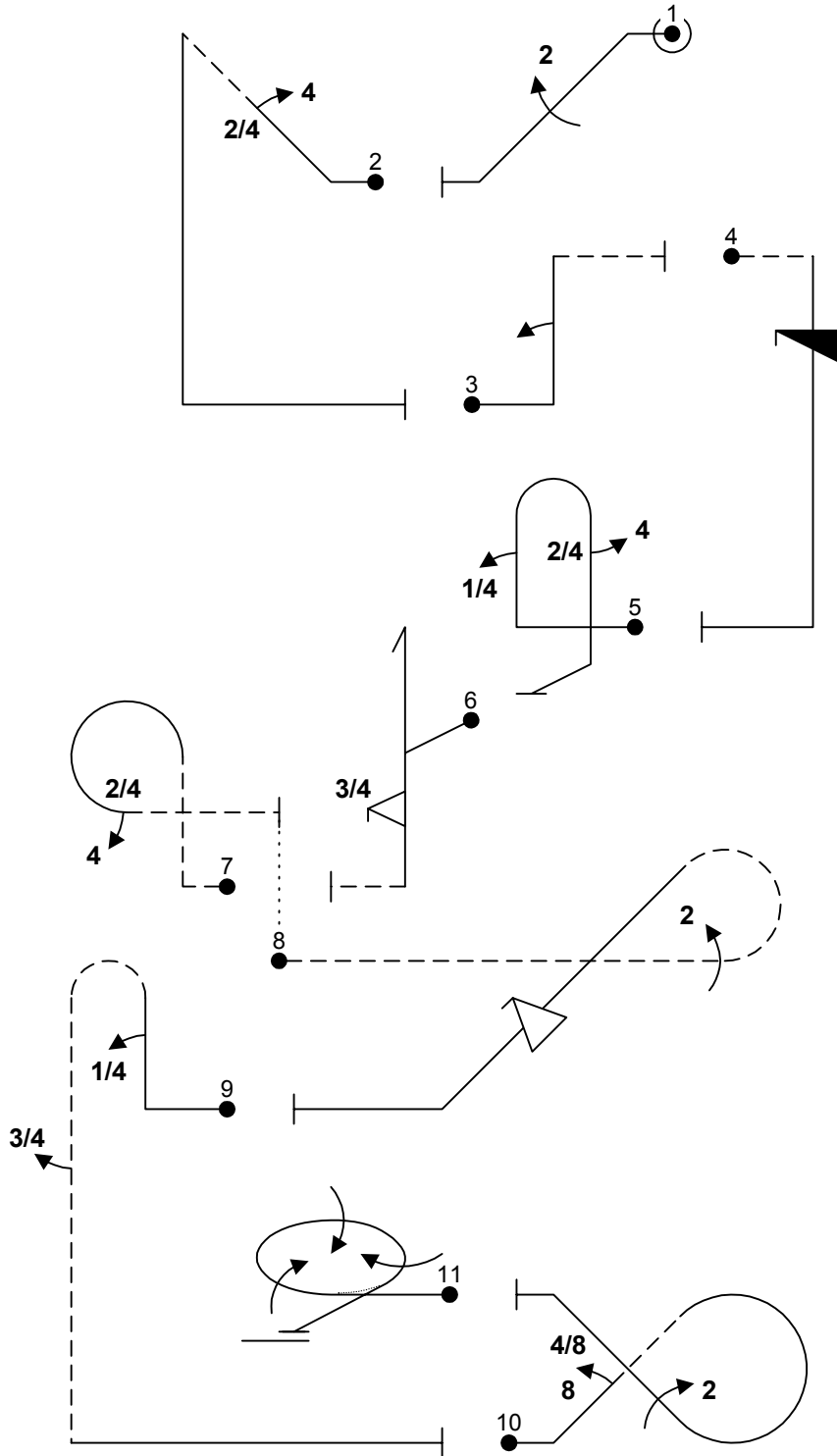
FREE PROGRAM CHECK BY:



C	Contest:		Category:	Advanced	
Date:		Prog:	Unknown	pilot's number	

Pilot:

wind direction



A/C:

(signature/date)

FREE PROGRAM CHECK BY: