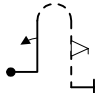
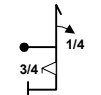

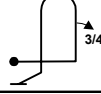
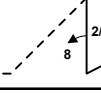
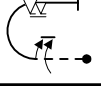


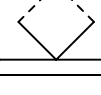
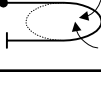


A	INTERNATIONAL AEROBATIC CLUB SCORESHEET				Contest:			Date:		Category		Programme		pilot's number	
										Advanced		Unknown			
No	Symbol	Catalog No	K	Tot. K	Score	Remarks	No	Symbol	Catalog No	K	Tot. K	Score	Remarks		
1		8.3.1 9.1.1.2 9.9.5.2	15 8 11	34			13								
2		5.1.1 9.1.1.1 9.9.5.3	17 6 11	34			14								
3		8.15.1 9.8.2.2 9.9.4.4	12 9 11	32			15								
4		8.1.1 9.1.1.3	13 10	23			16								
5		1.16.1 9.8.1.1	14 7	21			17								
6		7.4.2 9.1.3.6 9.9.3.6	6 10 14	30			18								
7		7.20.3 9.1.4.2 9.1.4.4	17 4 8	29			POSITIONING				12				
8		8.42.1 9.4.4.2	10 5	15			FIGURE TOTAL K =				246				
9		7.9.1	15	15			INCLUDING POSITIONING =				258				
10		2.6.1	13	13			JUDGE'S NAME								
11							JUDGE'S NUMBER								
12							FREE PROGRAM CHECKED BY:								
							AIRCRAFT TYPE								



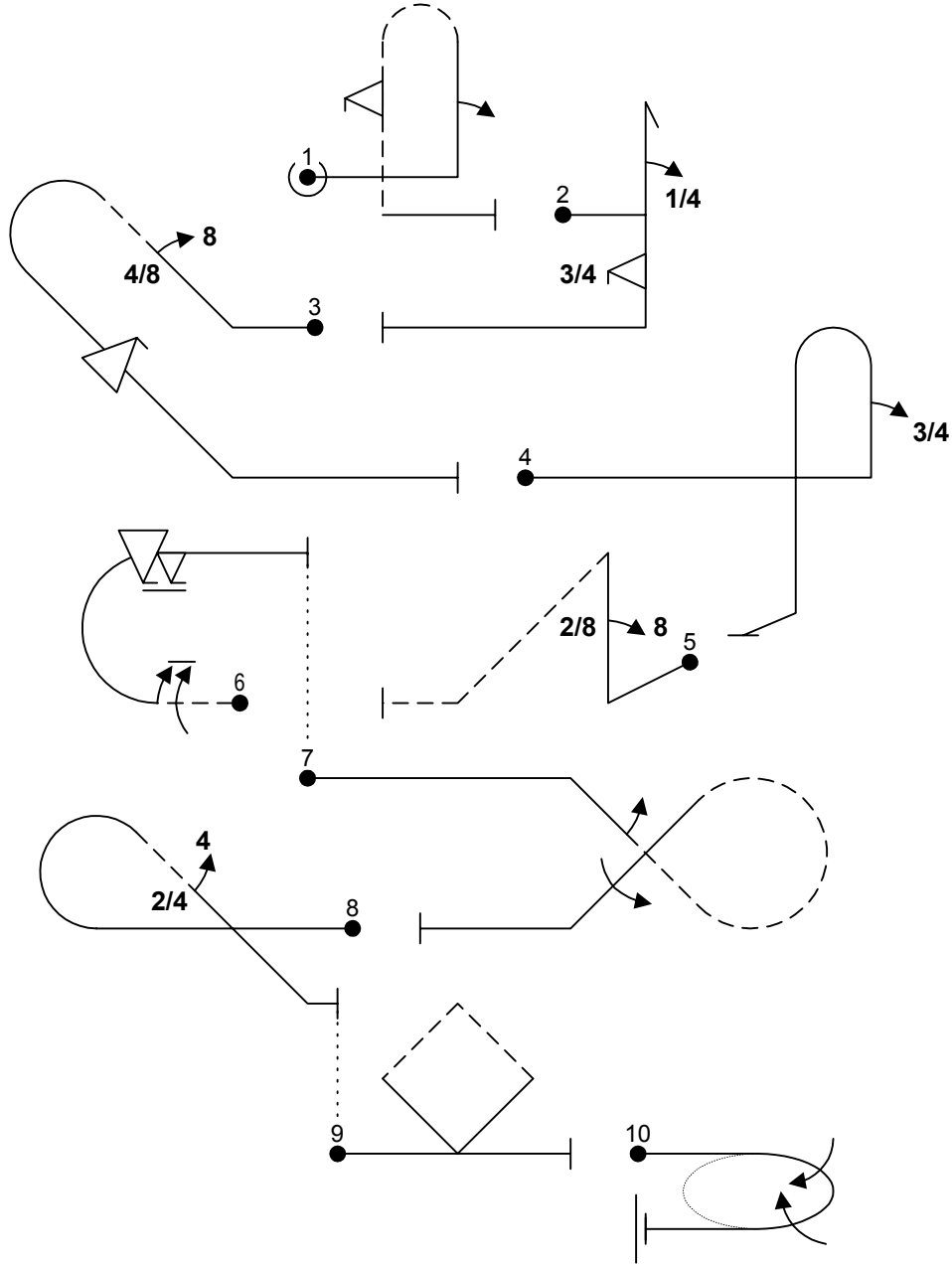
pilot's name
(print)



B	Contest:		Category:	Advanced	
Date:		Prog:	Unknown	pilot's number	

wind direction

Pilot:



A/C:

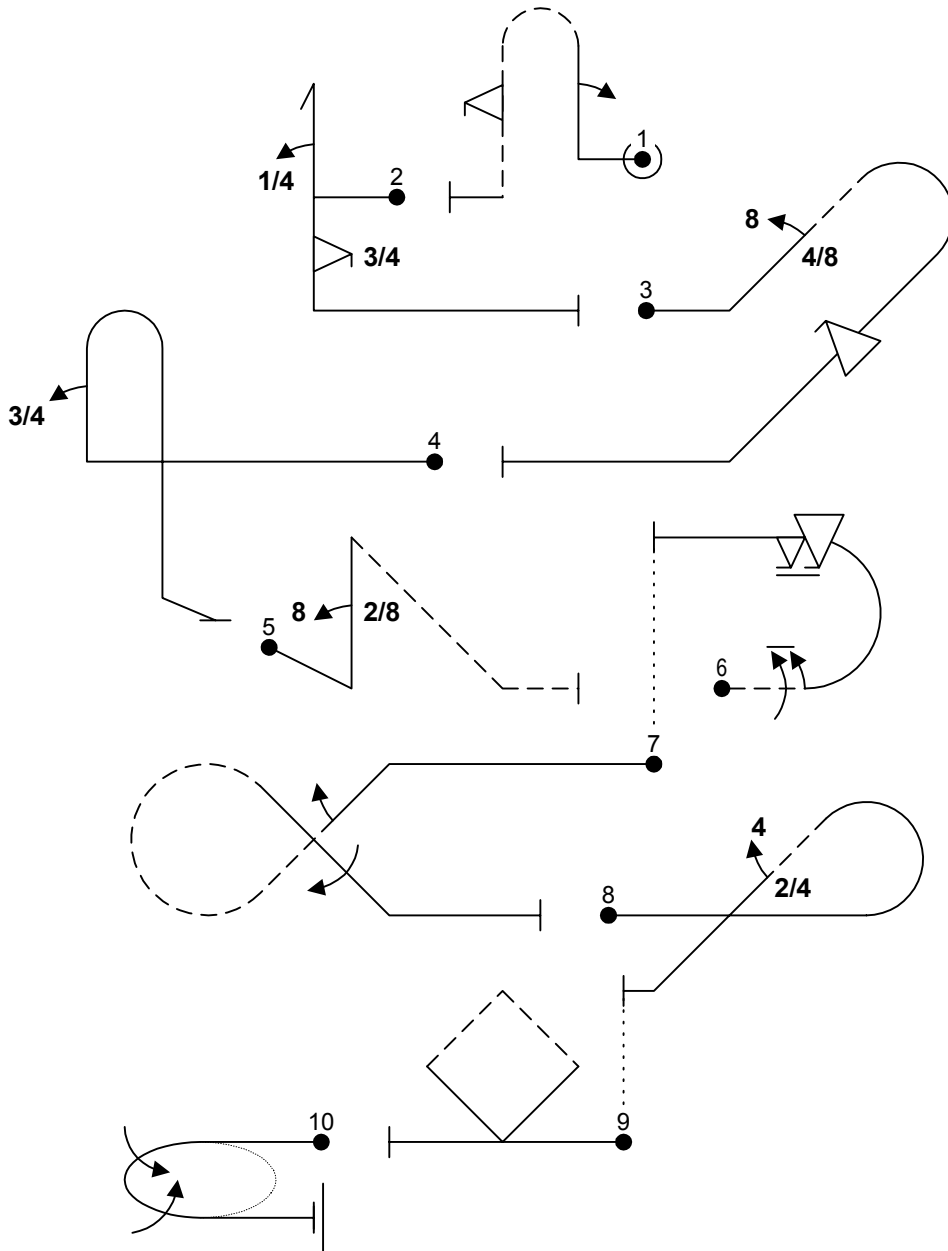
(signature/date)

FREE PROGRAM CHECK BY:



C	Contest:		Category:	Advanced	
Date:		Prog:	Unknown	pilot's number	

wind direction



Pilot:

A/C:

(signature/date)

FREE PROGRAM CHECK BY: