

A	INTERNATIONAL AEROBATIC CLUB SCORESHEET				Contest:			Date:		Category		Programme		pilot's number	
										Advanced		Unknown			
No	Symbol	Catalog No	K	Tot. K	Score	Remarks	No	Symbol	Catalog No	K	Tot. K	Score	Remarks		
1		1.19.1 9.1.4.2	16 4	20			13								
2		8.41.2 9.1.3.4	12 8	20			14								
3		7.3.1 9.8.3.2	8 7	15			15								
4		1.6.3 9.11.1.5	10 4	14			16								
5		1.1.3 9.4.3.2	2 5	7			17								
6		5.1.4 9.1.1.1	22 6	28			18								
7		8.1.1 9.9.5.2	13 11	24			POSITIONING				12				
8		8.18.1 9.2.2.4 9.1.4.2	14 11 4	29			FIGURE TOTAL K =				198				
9		5.1.1 9.9.5.3	17 11	28			INCLUDING POSITIONING =				210				
10		2.6.1	13	13			JUDGE'S NAME _____								
11							JUDGE'S NUMBER _____								
12							FREE PROGRAM CHECKED BY: _____								
							AIRCRAFT TYPE _____								



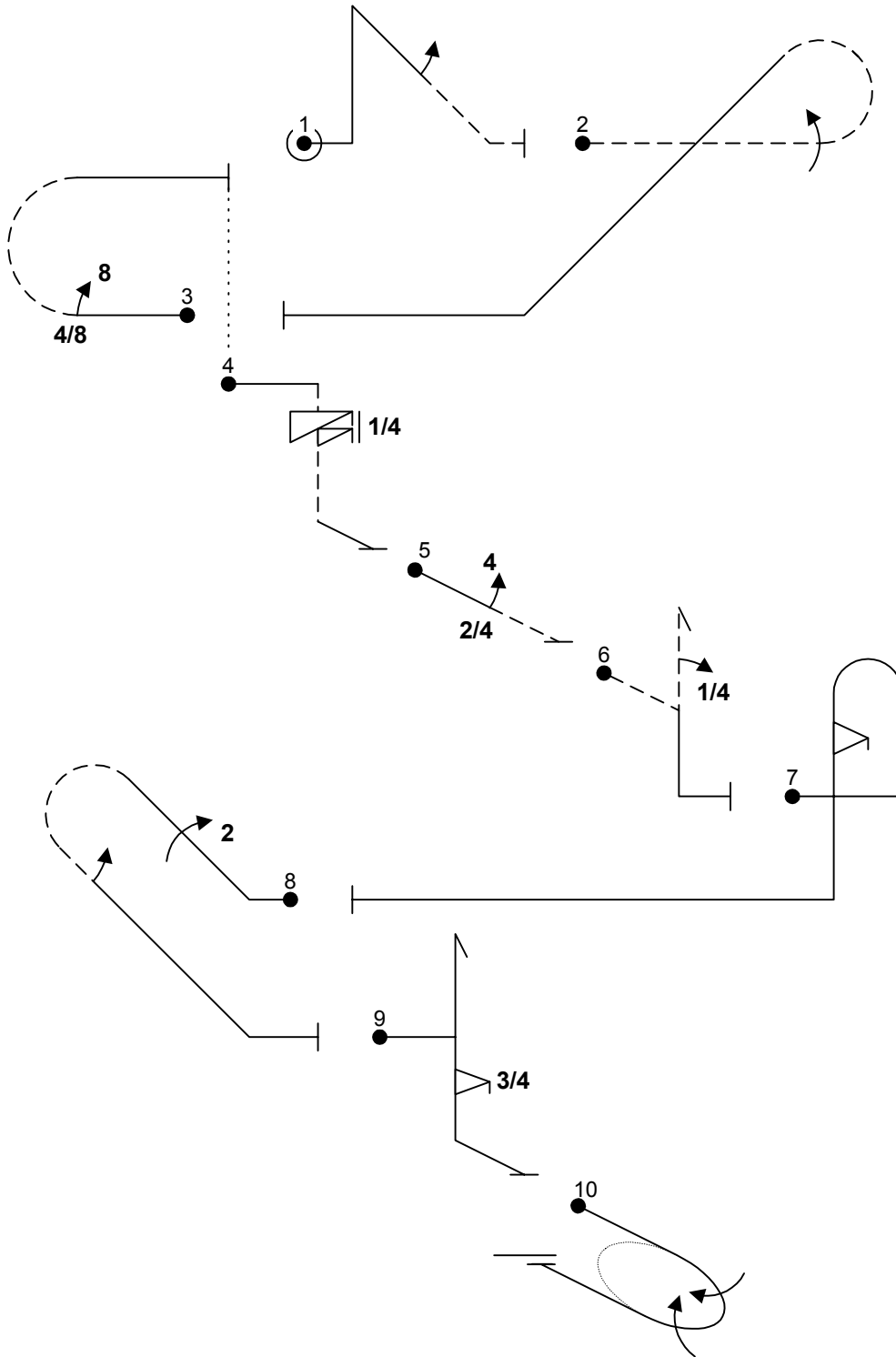
pilot's name
(print)



B	Contest:		Level:	Advanced	
Date:		Prog:	Unknown	pilot's number	

wind direction

Pilot:



A/C:

(signature/date)

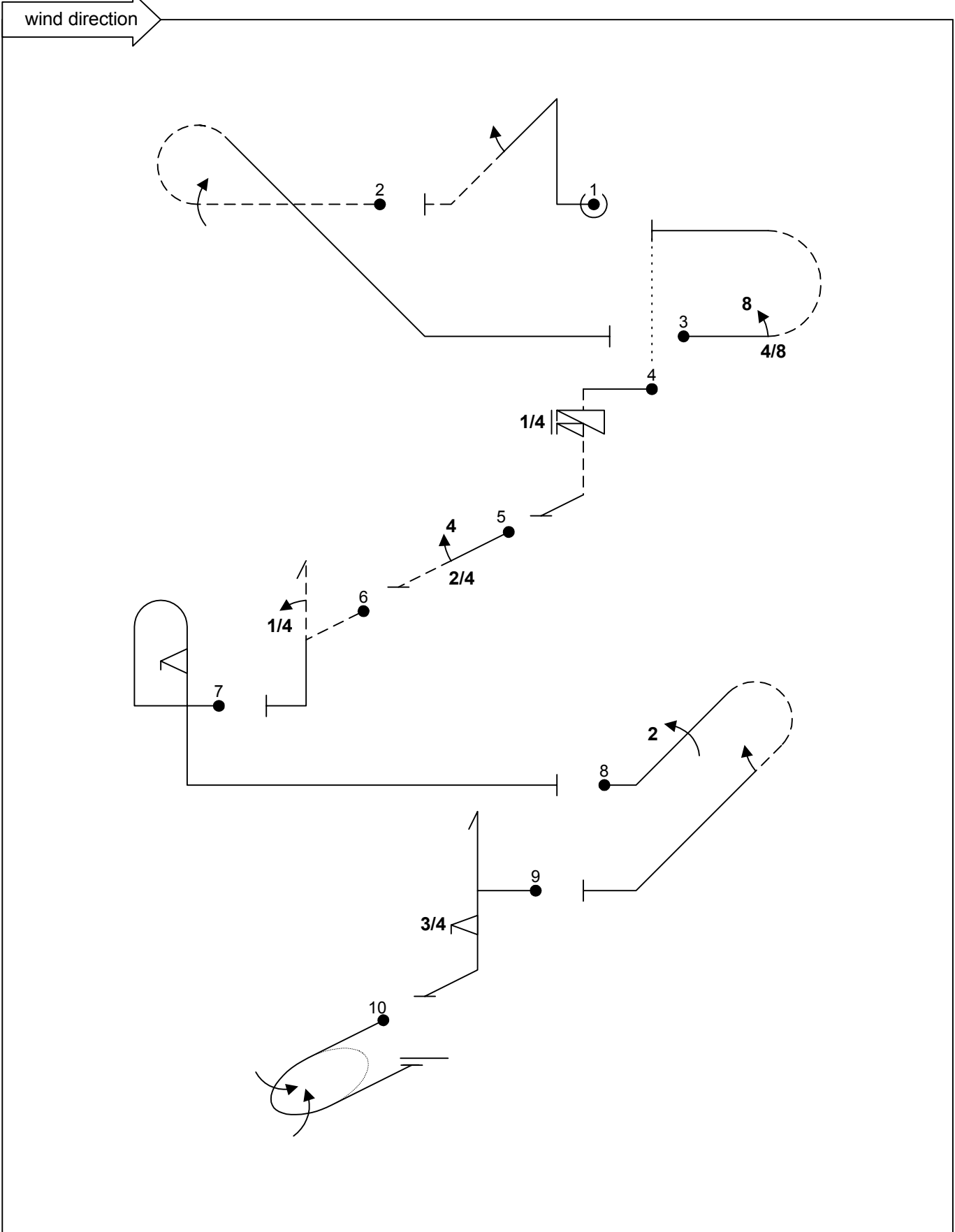
FREE PROGRAM CHECK BY:



C	Contest:		Level:	Advanced
Date:		Prog:	Unknown	pilot's number

Pilot:

wind direction



A/C:

(signature/date)

FREE PROGRAM CHECK BY: