

INTERNATIONAL AEROBATIC CLUB SCORESHEET					Contest:			Date:		Category		Programme		pilot's number	
										Advanced		Unknown			
No	Symbol	Catalog No	K	Tot. K	Score	Remarks	No	Symbol	Catalog No	K	Tot. K	Score	Remarks		
1		1.6.4 9.12.1.4	10 7	17			13								
2		8.1.2 9.1.1.1	18 6	24			14								
3		1.7.2 9.8.1.1	12 7	19			15								
4		7.3.3 9.1.3.2 9.1.3.4	6 4 8	18			16								
5		5.1.3	18	18			17								
6		7.1.2 9.2.3.4	8 9	17			18								
7		1.1.3 9.9.3.6	2 14	16			POSITIONING					12			
8		7.2.4 9.1.3.2	7 4	11			FIGURE TOTAL K =					195			
9		7.7.2 9.9.3.4	19 11	30			INCLUDING POSITIONING =					207			
10		1.7.2	12	12			JUDGE'S NAME								
11		2.6.1	13	13			JUDGE'S NUMBER								
12							FREE PROGRAM CHECKED BY:								
							AIRCRAFT TYPE								



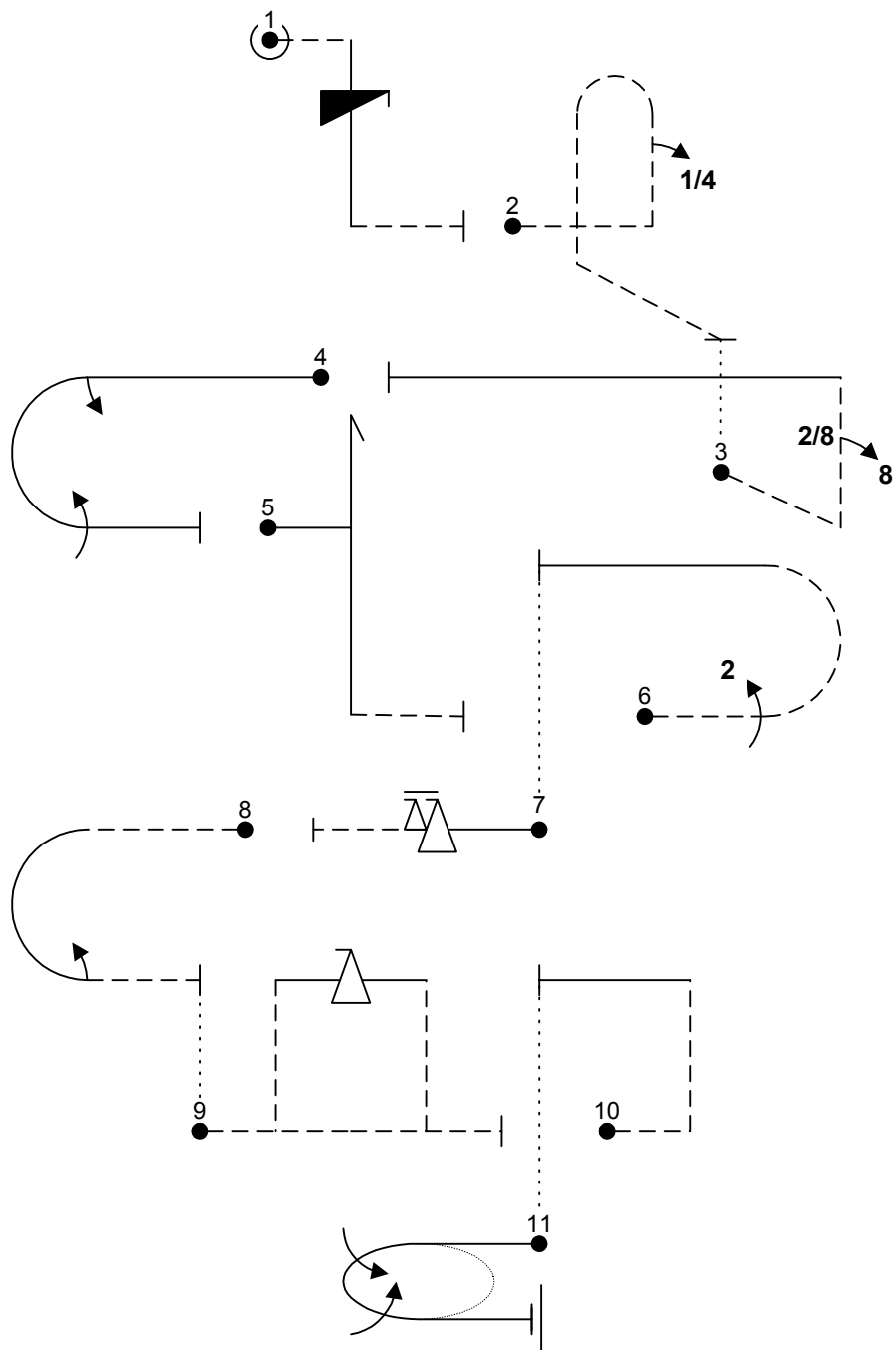
pilot's name
(print)



B	Contest:		Level:	Advanced	
Date:		Prog:	Unknown	pilot's number	

wind direction

Pilot:



A/C:

(signature/date)

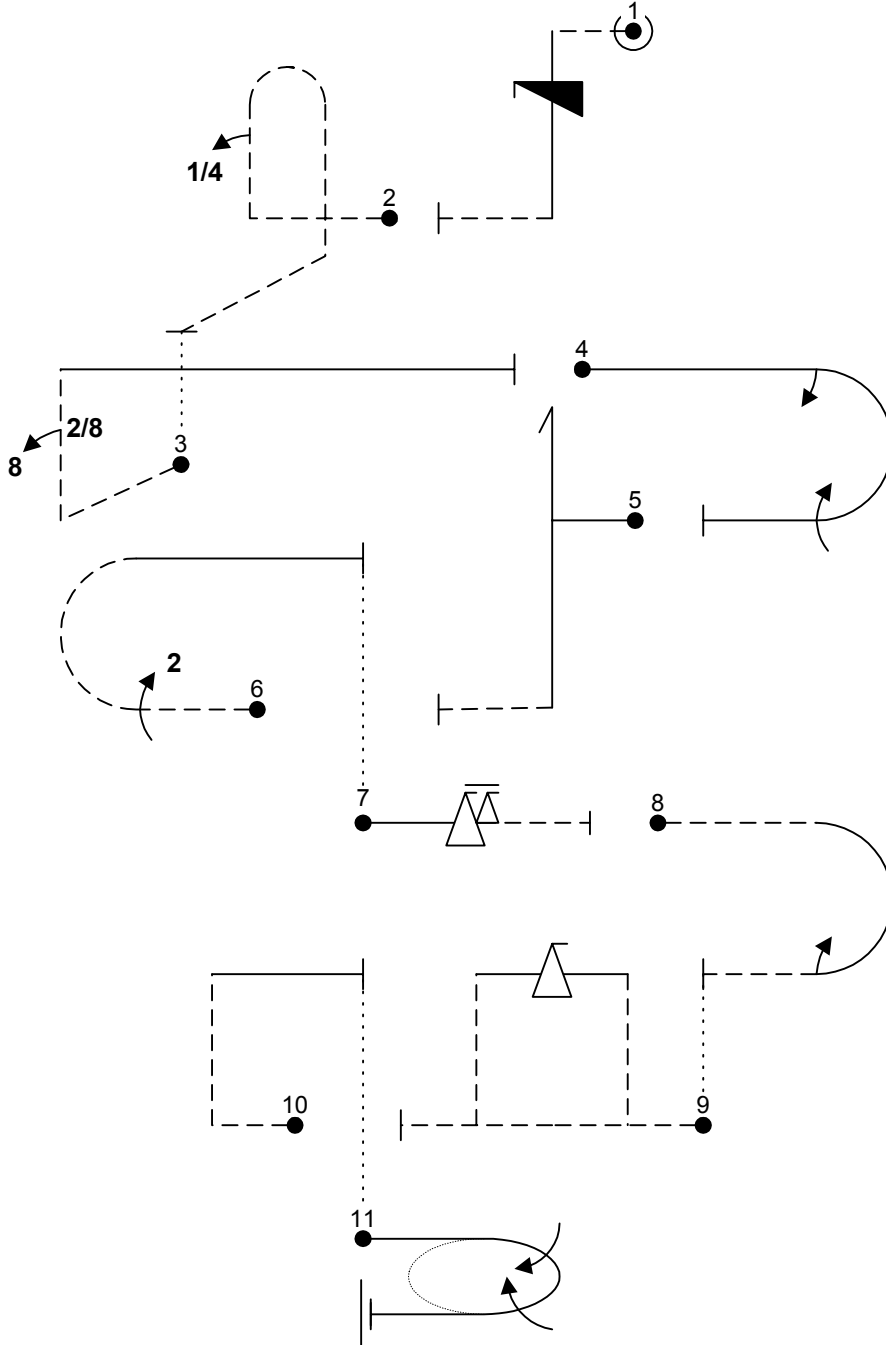
FREE PROGRAM CHECK BY:



C	Contest:		Level:	Advanced	
Date:		Prog:	Unknown	pilot's number	

Pilot:

wind direction



A/C:

(signature/date)

FREE PROGRAM CHECK BY: