

INTERNATIONAL AEROBATIC CLUB SCORESHEET

<b>A</b>	Contest:	Date:	Category:	Programme:	pilot's number	
		2011	Advanced	Known		

No	Symbol	Catalogue No.	K	Total K	Grade	Remarks	Item	K	Score
1		5.3.1 9.1.2.2 9.9.5.2	24 6 11	41			<b>Presentation</b>	<b>12</b>	
2		1.40.1 9.1.1.2 9.9.4.4	22 8 11	41					
3		1.6.3 9.11.1.5	10 4	14					
4		7.1.1 9.4.3.4	6 11	17					
5		2.8.2	31	31					
6		5.1.4 9.8.5.2	22 7	29					
7		8.3.1 9.1.1.1 9.9.10.3	15 6 13	34					
8		8.40.1 9.2.3.4 9.4.3.2	14 9 5	28					
9		1.3.1 9.9.2.2	7 13	20					

FIGURE TOTAL K =

INCLUDING PRESENTATION =

Aircraft Type:

FREE PROGRAM CHECKED BY:

Signature:	Printed Name:	Date:
		IAC No.

Judge
Name
Number

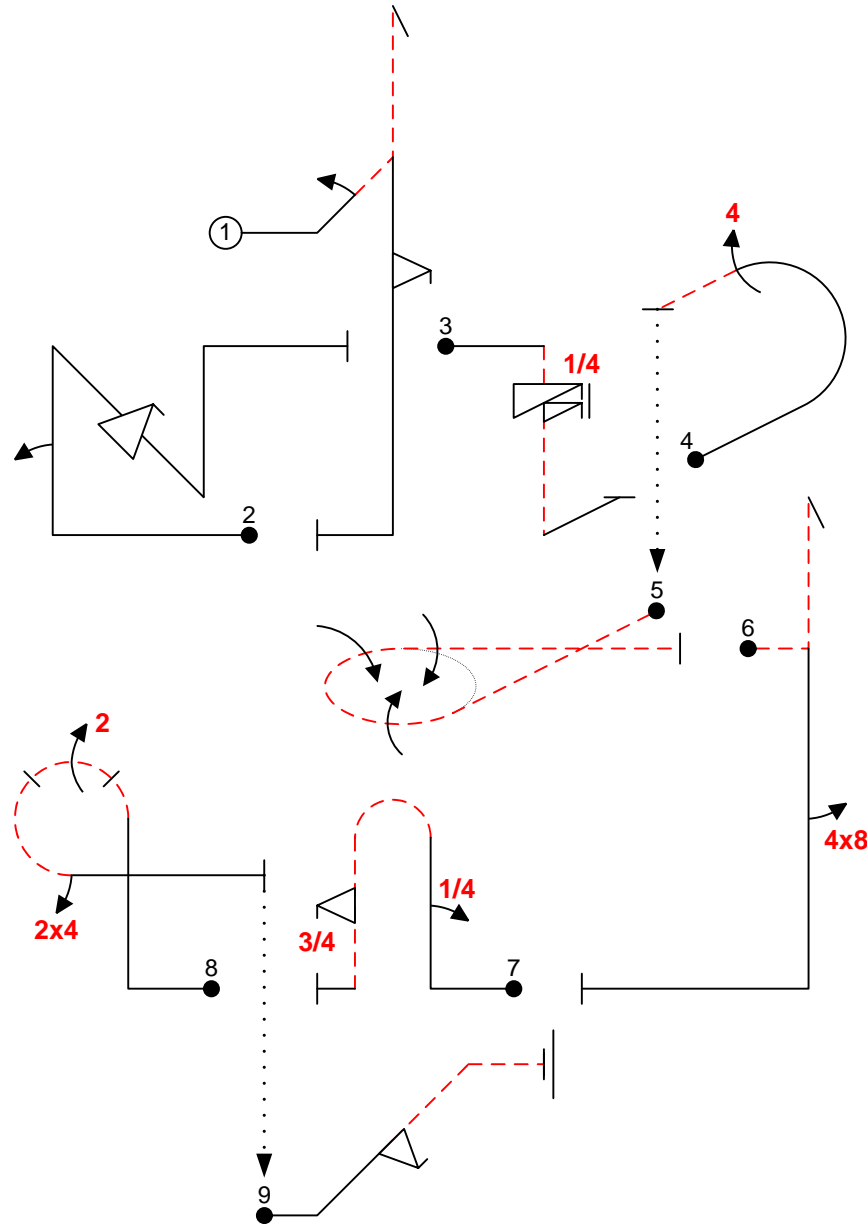




<b>B</b>	Contest:	Category: <b>Advanced</b>
Date: <b>2011</b>	Program: <b>Known</b>	Pilot's No. <input type="text"/>

wind direction

Pilot:



A/C:

(signature/date)

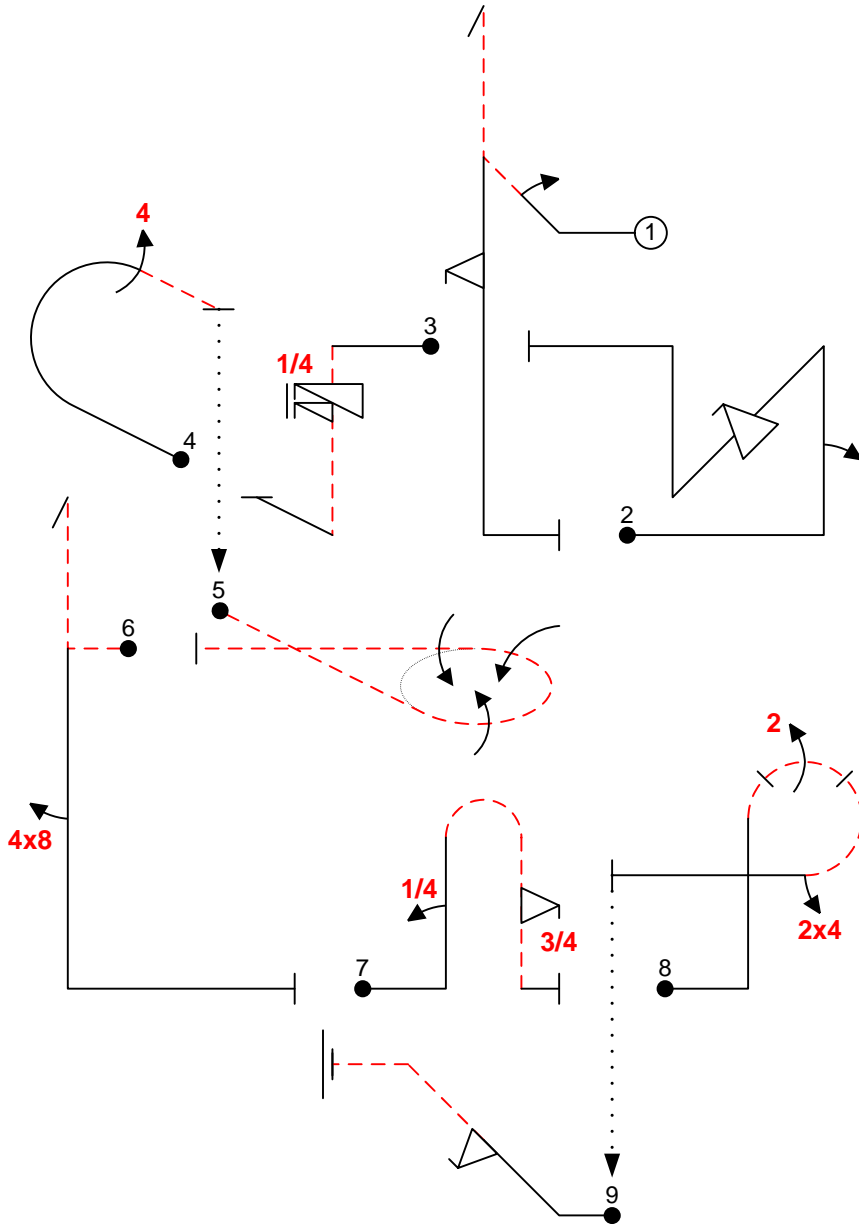
FREE PROGRAM CHECK BY:



<b>C</b>	Contest:	Category: <b>Advanced</b>	
	Date: <b>2011</b>	Program: <b>Known</b>	Pilot's No. <input type="text"/>

Pilot: \_\_\_\_\_

wind direction



A/C: \_\_\_\_\_

(signature/date)

FREE PROGRAM CHECK BY: \_\_\_\_\_